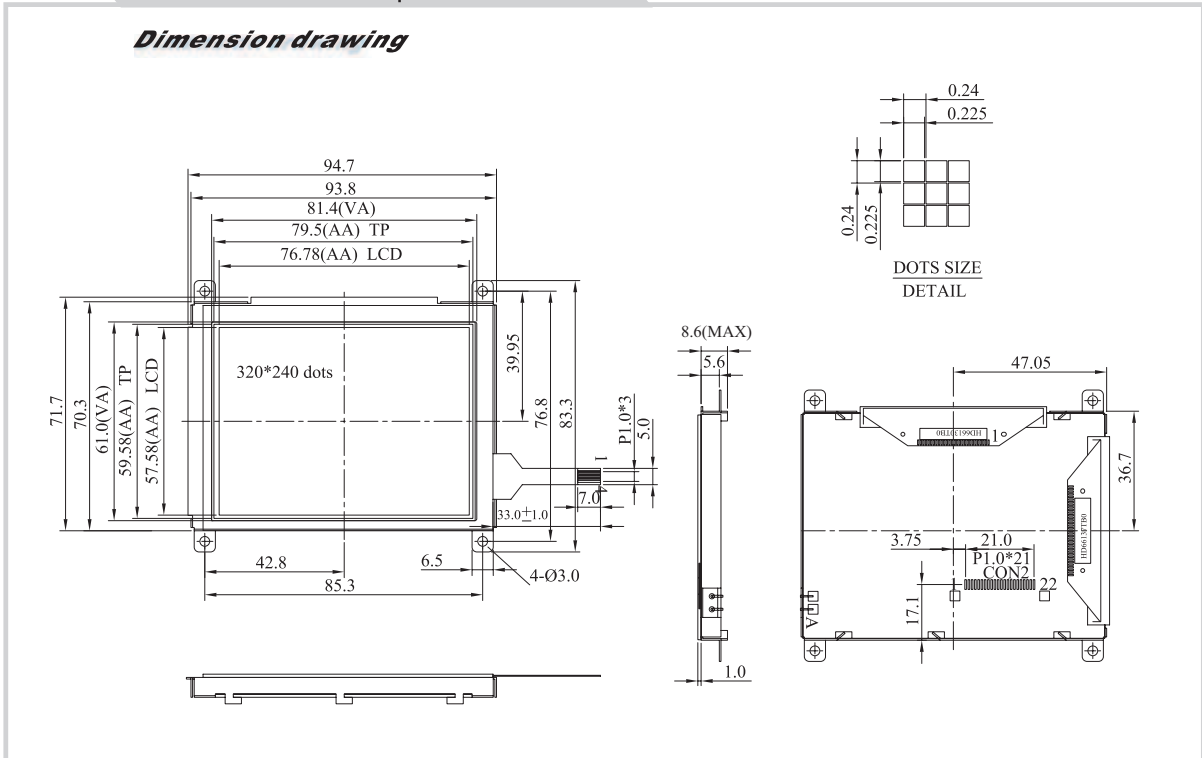


WINSTAR

WX320240C0 Graphic 320x240 dots

Dimension drawing



Graphic type

Feature

1. Built-in RA8835 and SRAM
2. Built-in positive voltage output
3. 1/240 duty
4. Touch screen option
5. +3.3V (also available for 5V)

Pin NO.	Symbol	Function
1	Vss	GND
2	Vdd	Power Supply for logic
3	Vo	Operating voltage LCD driving
4	AO	H:Data L:Instruction
5	WR	8080family:Read signal, 6800family:Enable clock
6	RD	8080family:write signal, 6800family:R/W signal
7	DB0	DB0 Data bus line
8	DB1	DB1 Data bus line
9	DB2	DB2 Data bus line
10	DB3	DB3 Data bus line
11	DB4	DB4 Data bus line
12	DB5	DB5 Data bus line
13	DB6	DB6 Data bus line
14	DB7	DB7 Data bus line
15	CS	Chip Enable
16	RES	Reset
17	VEE	Positive voltage output
18	SEL1	8080 or 6800 inteface select 1:68 0:80
19	A	Power supply for B/L
20	K	Power supply for B/L
21	NC	No connection
22	NC	No connection

Mechanical Data

Item	Standard Value	Unit
Module Dimension	94.7x71.7	mm
Viewing Area	81.4x61.0	mm
Dot Size	0.225x0.225	mm
Dot Pitch	0.24x0.24	mm
Mounting hole	85.3x83.3	mm

Absolute Maximum Rating

Item	Symbol	Standard Value			Unit
		min.	typ.	max.	
Power Supply	VDD-VSS	3.0	3.3	3.5	V
Input Voltage	VI	---	---	VDD	V

Electronical Characteristics

Item	Symbol	Condition	Standard Value			Unit
			min.	typ.	max.	
Input Voltage	VDD	L level	0	---	0.2VDD	V
	VIO	H level	0.5VDD	---	VDD	V
Supply Current	IDD	VDD= 3.5	---	33	---	mA
Recommended LC Driving Voltage for Normal Temp. Version module	Vo-Vss	-20°C	---	---	---	V
		0°C	---	---	---	
		25°C	---	18.7	---	
		50°C	---	---	---	
LED Forward Voltage	VF	25°C	---	25	---	V
		70°C	---	---	---	
LED Forward Current	IF	25°C	---	---	---	mA
		70°C	---	---	---	
CCFL	VF	25°C	---	---	---	
		70°C	---	---	---	
EL	IEL	Vel=110VAC;400Hz	---	---	---	mA