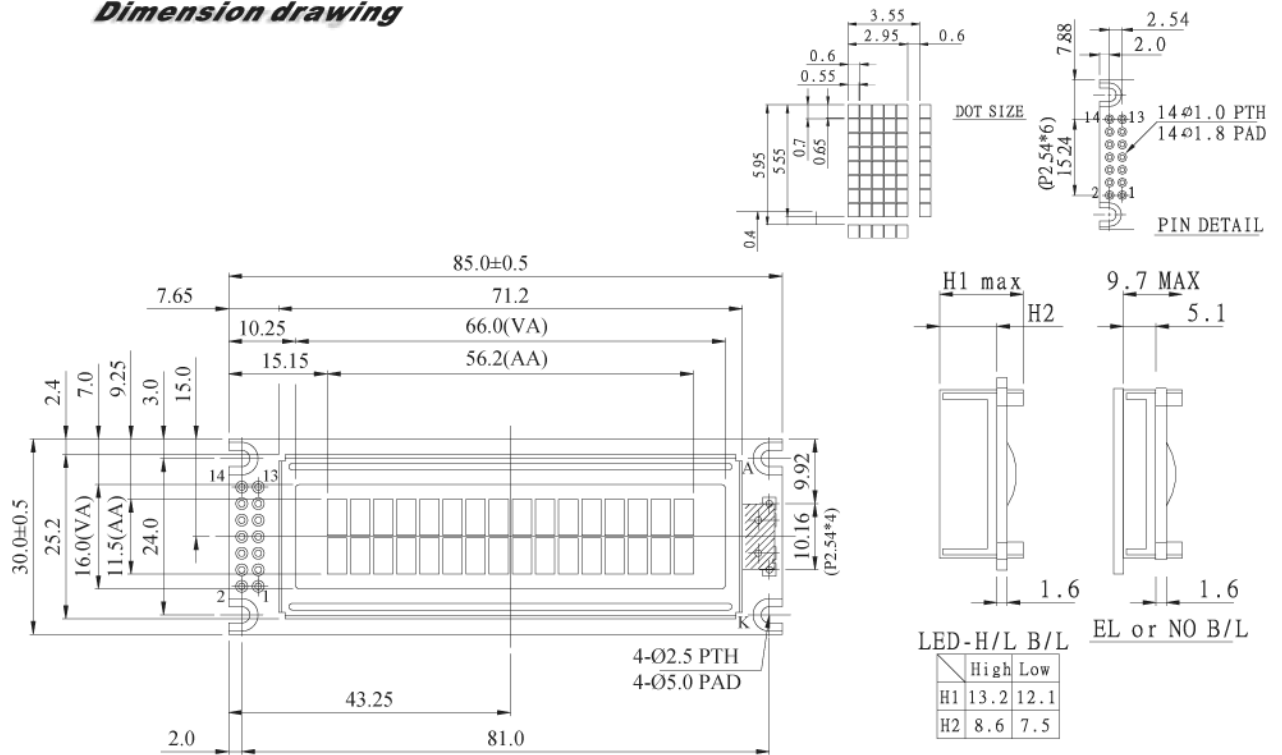


WH1602D Character 16x2

Dimension drawing



Character type

Feature

1. 5x8 dots includes cursor
2. Built-in controller (KS 0066 or Equivalent)
3. +5V power supply
4. 1/16 duty cycle
5. LED can be driven by pin1, pin2, or A and K
6. Optional: smaller character size (2.95x4.35mm)

| Pin NO. | Symbol | Function |
|---------|--------|----------------------------|
| 1 | Vdd | Power supply(+5V) |
| 2 | Vss | GND |
| 3 | Vo | Contrast Adjustment |
| 4 | RS | H/L Register select signal |
| 5 | R/W | H/L Read / write signal |
| 6 | E | H→L Enable signal |
| 7 | DB0 | H/L Data bus line |
| 8 | DB1 | H/L Data bus line |
| 9 | DB2 | H/L Data bus line |
| 10 | DB3 | H/L Data bus line |
| 11 | DB4 | H/L Data bus line |
| 12 | DB5 | H/L Data bus line |
| 13 | DB6 | H/L Data bus line |
| 14 | DB7 | H/L Data bus line |

Mechanical Data

| Item | Standard Value | Unit |
|------------------|----------------|------|
| Module Dimension | 85.0x30.0 | mm |
| Viewing Area | 66.0x16.0 | mm |
| Mounting hole | 81.0 x 24.0 | mm |
| Character Size | 2.96x5.56 | mm |

Absolute Maximum Rating

| Item | Symbol | Standard Value | | | Unit |
|---------------|---------|----------------|------|------|------|
| | | min. | typ. | max. | |
| Power Supply | VDD-VSS | -0.3 | --- | 7.0 | V |
| Input Voltage | VI | -0.3 | --- | VDD | V |

Note : VSS=0 Volt, VDD=5.0 Volt.

Electrical Characteristics

| Item | Symbol | Condition | Standard Value | | | Unit | |
|--|--------|------------------|----------------|------|------|------|----|
| | | | min. | typ. | max. | | |
| Input Voltage | VDD | VDD=+5V | 4.7 | 5.0 | 5.3 | V | |
| Supply Current | IDD | VDD=5V | --- | 1.2 | 1.5 | mA | |
| Recommended LC Driving Voltage for Normal Temp. Version module | VDD-V0 | -20°C | --- | --- | 5.2 | V | |
| | | 0°C | --- | --- | 4.2 | | |
| | | 25°C | --- | 3.8 | --- | | |
| | | 50°C | 3.5 | --- | --- | | |
| LED Forward Voltage | VF | 25°C | --- | 4.2 | 4.6 | V | |
| LED Forward Current | IF | 25°C | --- | 100 | --- | mA | |
| LED Power Supply Current | IEL | VeI=110VAC;400Hz | --- | --- | 20 | 40 | mA |

Display Character Address Code :

| Display position | 1 | 2 | 3 | 4 | 5 | 6 | 7 | 8 | 9 | 10 | 11 | 12 | 13 | 14 | 15 | 16 |
|------------------|----|----|---|---|---|---|---|---|---|----|----|----|----|----|----|----|
| DD RAM Address | 00 | 01 | | | | | | | | | | | | | | 0F |
| DD RAM Address | 40 | 41 | | | | | | | | | | | | | | 4F |