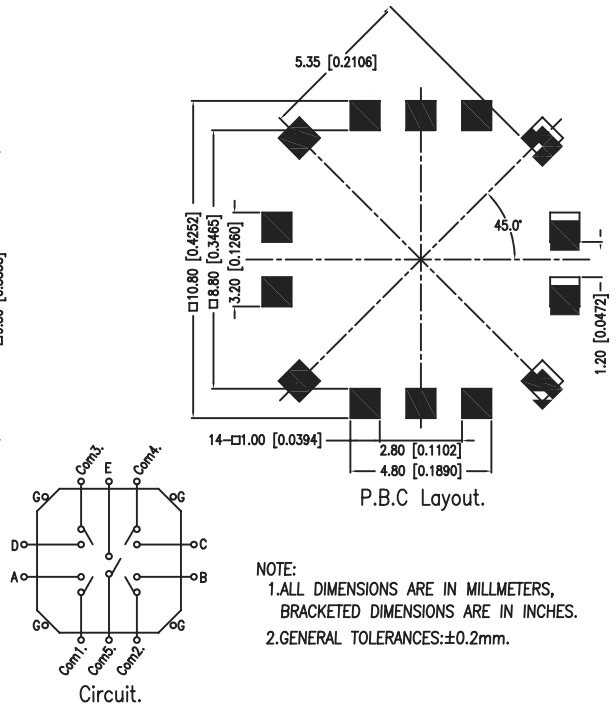
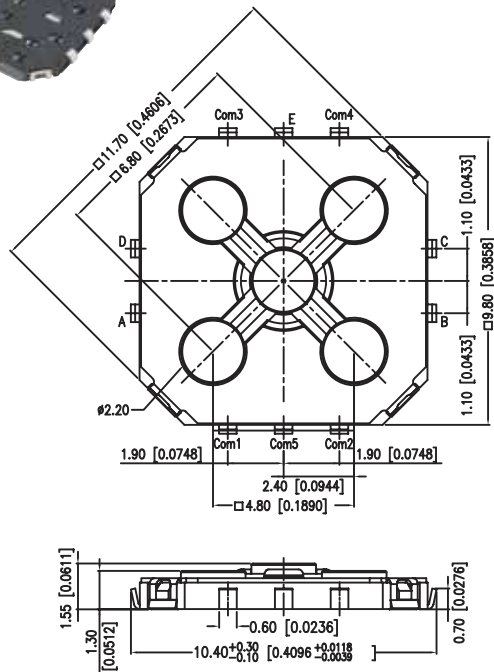
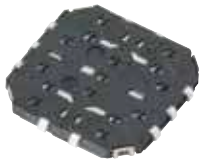


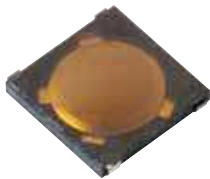
TT5 TJ Series *Rocker Switches*



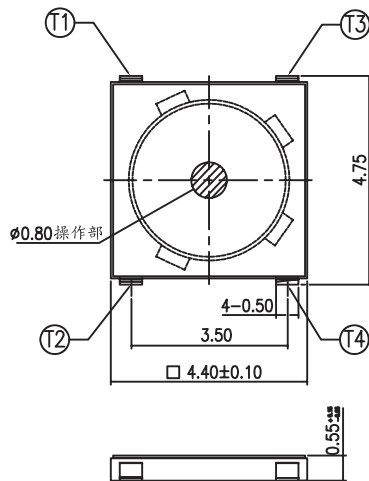
TT5-V



NOTE:
1. ALL DIMENSIONS ARE IN MILLIMETERS,
BRACKETED DIMENSIONS ARE IN INCHES.
2. GENERAL TOLERANCES: ±0.2mm.

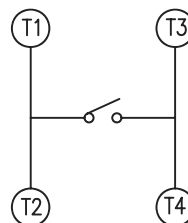


TJ-416-V

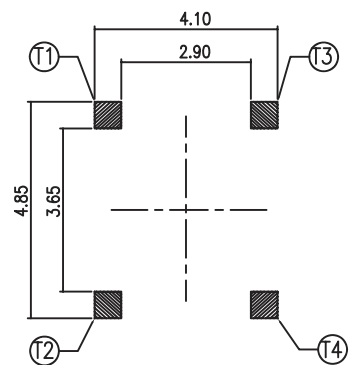
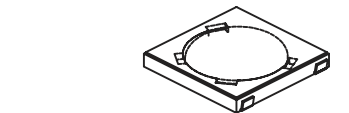


NOTE:
1. ALL DIMENSIONS ARE IN MILLIMETER, BRACKETED DIMENSIONS ARE IN INCHES.
2. GENERAL TOLERANCES ±0.20mm.

PART NO	OF
TJ-416-V	160gf
TJ-420-V	200gf
TJ-426-V	260gf



CIRCUIT DIAGRAM



P.C.B. LAYOUT