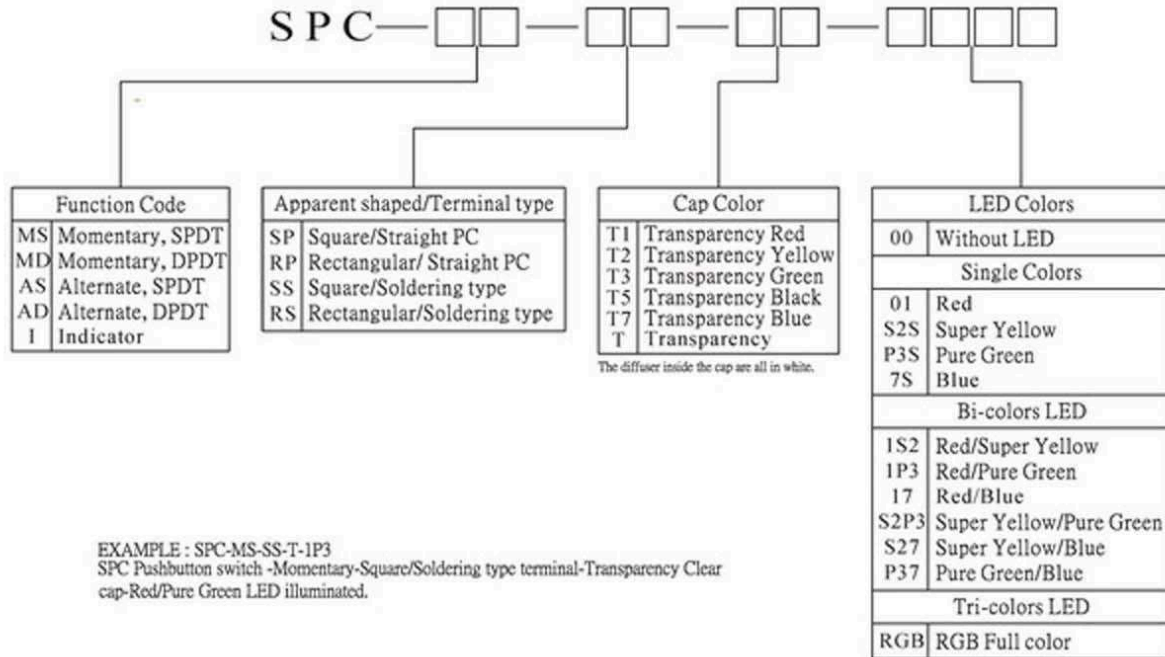


HOW TO ORDER



EXAMPLE : SPC-MS-SS-T-1P3
 SPC Pushbutton switch -Momentary-Square/Soldering type terminal-Transparency Clear cap-Red/Pure Green LED illuminated.

General Specifications

Circuit	:SPDT or DPDT
Current Rating	:5A.
Voltage Rating	:125/250 V AC
Contact Resistance	:50 milli-Ohm Max(initial)
Insulation Resistance	:200 Meg-Ohm Min
Operating Force	:Single pole: 190gf±50gf Double pole: 250gf±50gf for Square 300gf±50gf for Rectangular
Total Travel	:2.3mm±0.5mm
Mechanical Life	:1,000,000 cycles min. for Momentary. 200,000 cycles min. for Alternate.
Electrical Life	:10,000 cycles min. 100,000 cycles min. with resistive load of 3A @ 125VAC
Solder Specifications	:Manual solder, 360 deg. for 4 seconds Wave solder for Through hole 260deg for 3 seconds
Operating Temperature	:-25deg~+50deg
Function	:Momentary or Alternate
LED Rating	:See the table at below

Material

Cap	: Polycarbonate(PC)
Housing	:Polyamide (PA)
Snap-in Frame	:Stainless steel
Switch/LED Terminal	:Phosphor bronze (PBS) with gold plating
Movable Contacts	:Silver alloy
Spring	:Piano wire
Base	:Polyamide(PA)
LED	:Surface type LED

