



SPECIFICATION

Electrical Rating : 2A 250VAC/125VAC,
6A 250VAC/10A125VAC (UL)
10A 250VAC/15A 125VAC(UL)
10(4)A 250 VAC (VDE)

Mechanical life: Over 30000 cycles
Electrical life: Over 10000 cycles
Contact resistance: <20mΩ
Insulation resistance: >1000MΩ
High voltage resistance: >1500VAC 1 min.
Ambient temperature: Terminal side -20 to +85°C
Actuating side- 20 to +55°C

Atmospheric humidity: Max.85%
Actuating force: 3 to 6N(depends on different switch function)
Flammability: UL94V-2 & UL94V-0
Storage temperature: -30 to +80°C Max
Temperature rise at the terminal: 30°C (UL1054)
Solder ability of terminal: Max 350°C 3s



MATERIALS

Housing: PA 66
Rocker: PA 66 & PC
Contacts: Silver alloy
Terminal: Copper or brass silver plated
Spring: SWC
Movable arm: Copper silver plated
Lamp: Neon lamp, Tungsten lamp, LED
Bracket: PA66

HOW TO ORDER

ORDERING PROCEDURE (PART I): NON-ILLUMINATED

RC 1 5 K K E T 0 0 B

SERIES SWITCH FUNCTION RATING HOUSING COLOR ACTUATOR COLOR MARKING TERMINAL LAMP VOLTAGE SHAPE OF WINDOW SAFETY APPROVAL

1	ON-OFF
2	ON-ON
3	ON-OFF-ON

K	(BLACK)	○	○
W	(WHITE)	○	○
G	(GRAY)		
O	(ORANGE)		
R	(RED)		○
N	(GREEN)		
Y	(YELLOW)		
B	(BLUE)		
V	(VIOLET)		

SEE OPTION OF MARKING
(See Page 161)

0	NO WINDOW
---	-----------

B	UL,VDE
---	--------

0	NO LAMP
---	---------

T	QUICK CONNECT TERMINAL, 4.8mm WIDE, 0.8mm THICK
---	---

○ AVAILABLE

10A	250VAC
5	15A 125VAC
	10(4)A 250VAC

HOW TO ORDER

ORDERING PROCEDURE (PART II): ILLUMINATED

RC 9 5 K K D E T L L R B

SERIES SWITCH FUNCTION RATING HOUSING COLOR ACTUATOR COLOR COLOR OF WINDOW MARKING TERMINAL LAMP VOLTAGE SHAPE OF WINDOW COLOR OF LAMP SAFETY APPROVAL

9	ON-OFF (LIGHTED)												
2	6A 250VAC 10A 250VAC 5	15A 125VAC 10(4)A 250VAC											
			K (BLACK)										
			W (WHITE)										
			G (GRAY)										
			O (ORANGE)										
			R (RED)										
			N (GREEN)										
			Y (YELLOW)										
			B (BLUE)										
			V (VIOLET)										
			D (RED) illu.										
			M (GREEN) illu.										
			Y (YELLOW) illu.										
			F (BLUE) illu.										

○ AVAILABLE

E	(NO WINDOW)
D	(RED) illu.
M	(GREEN) illu.
Y	(YELLOW) illu.
F	(BLUE) illu.

SEE OPTION OF MARKING (See Page 161)

L	ELLIPSE (FOR LED LAMP)
C	ROUND (FOR NEON OR TUNGSTEN LAMP)
E	NO WINDOW (FOR NEON OR TUNGSTEN LAMP)

N	TRANSPARENT NEON LAMP
F	GREEN FLUORESCENT NEON LAMP
B	BLUE FLUORESCENT NEON LAMP
T	TUNGSTEN LAMP
R	RED LED LAMP
M	GREEN LED LAMP
Y	YELLOW LED LAMP

1	NEON LAMP (125VAC)
2	NEON LAMP (250VAC)
3	12VDC TUNGSTEN LAMP
4	24VDC TUNGSTEN LAMP
L	LED

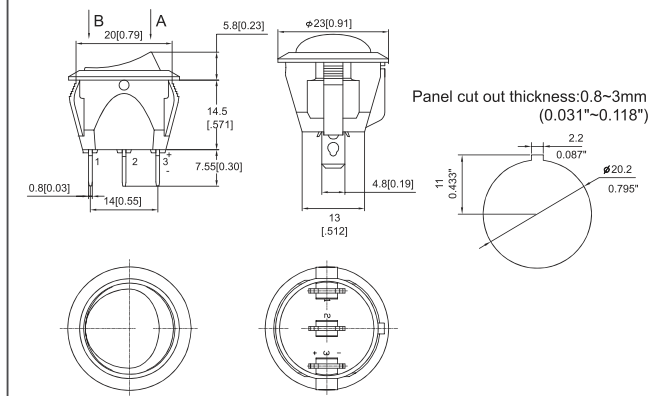
T	QUICK CONNECT TERMINAL, 4.8mm WIDE, 0.8mm THICK
---	---

B UL, VDE

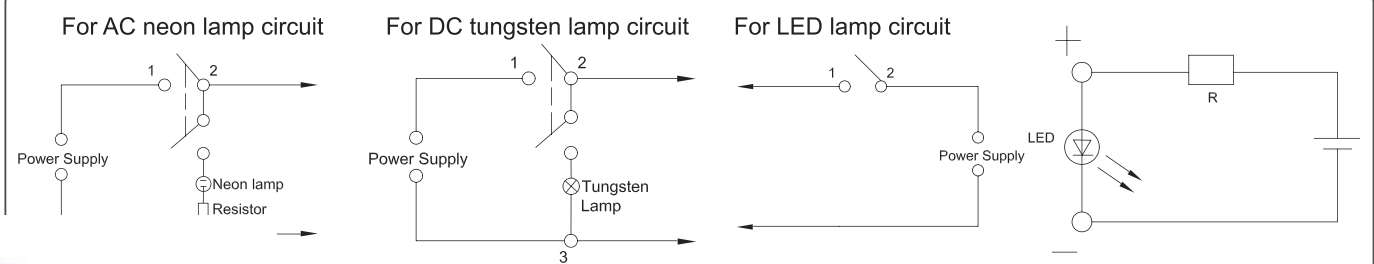
OPTION OF SWITCH FUNCTION

Item No	POLES & THROWS	Rocker position (): Momentary		
		Left	Center	Right
RC1	SPST	ON	None	OFF
RC2	SPDT	ON	None	ON
RC3	SPDT	ON	OFF	ON
RC9	SPST (With LED)	ON	None	OFF

DIMENSION & PANEL CUT OUT



LAMP CIRCUIT





CAP MARKING

FOR ROCKER SWITCHES
