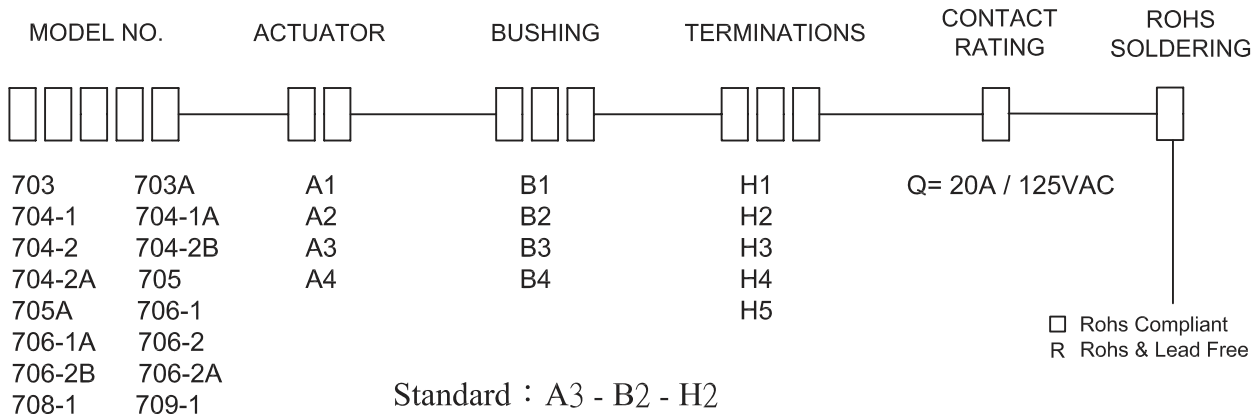


LPO Series Toggle Switches

● SPECIFICATIONS

RATING:15A 125VAC/20A 125/150VAC
INSULATION RESISTANCE:DC 500V 200MΩ Min.
CONTACT RESISTANCE:DC2-4V 1A 20mΩ Max.
WITHSTAND VOLTAGE:AC 1500V Min.

HOW TO ORDER



SWITCH FUNCTION

NO. POLES	UL	MODEL NO.	SWITCH FUNCTION			CONNECTED TERMINALS /SCHEMATIC		
			POS.1	POS.2	POS.3	POS.1	POS.2	POS.3
SP	√	703	OFF	NONE	ON	OPEN	N/A	1-3
		703A	OFF	NONE	MOM			
	√	704-1	ON	NONE	ON	2-3	OPEN	2-1
		704-1A	MOM	NONE	ON			
	√	704-2	ON	OFF	ON			
		704-2A	MOM	OFF	ON			
	704-2B	MOM	OFF	MOM	1-3	2-3	1-3	
DP	√	705	OFF	NONE	ON	OPEN	N/A	1-3 4-6
		705A	OFF	NONE	MOM			
	√	706-1	ON	NONE	ON	2-3,5-6	OPEN	2-1,5-4
		706-1A	MOM	NONE	ON			
	√	706-2	ON	OFF	ON			
		706-2A	MOM	OFF	ON			
	706-2B	MOM	OFF	MOM	1-3	4-6	1-3	
3P		708-1	OFF	NONE	ON	2-3,5-6 8-9,	OPEN	1-2,4-5 7-8,
4P		709-1	OFF	NONE	ON	2-3, 5-6 8-9,11-12	OPEN	1-2, 4-5 7-8,10-11

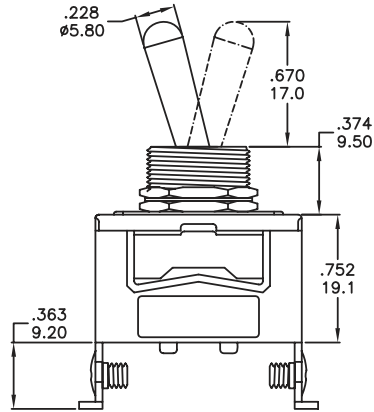
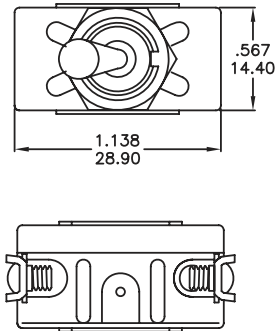
MOM=MOMENTARY

LPO Series Toggle Switches

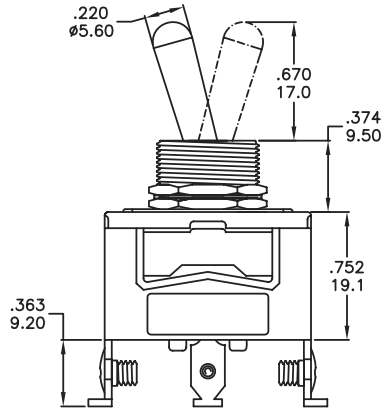
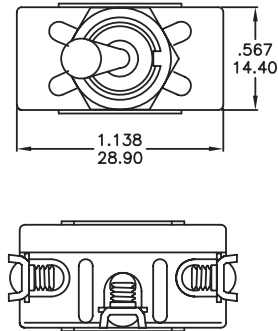
POLE OPTIONS



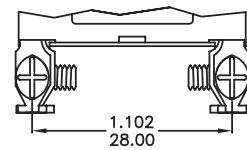
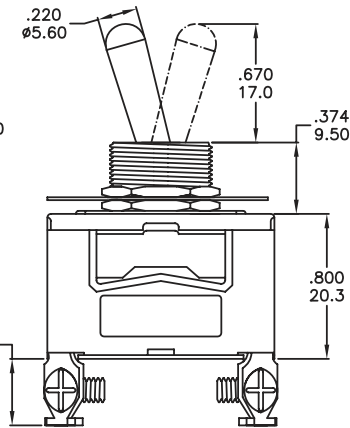
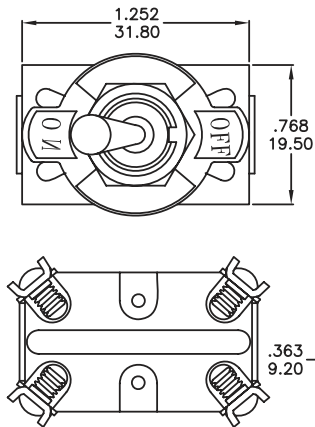
SPST
703-A3-B2-H2



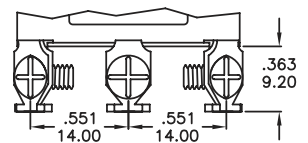
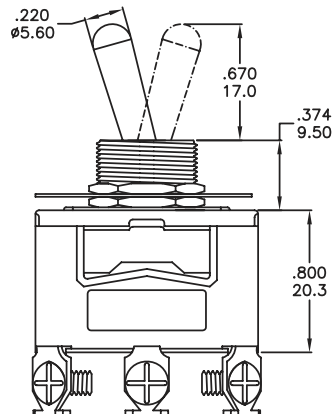
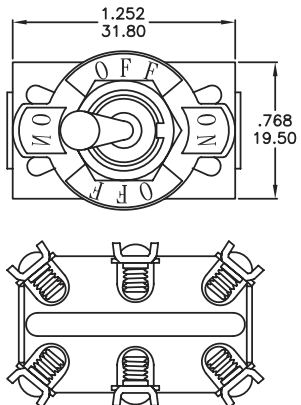
SPDT
704-A3-B2-H2



DPST
705-A3-B2-H2



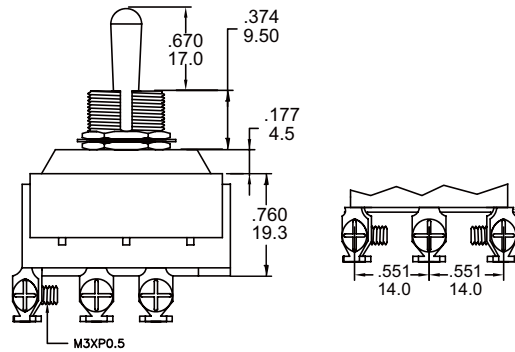
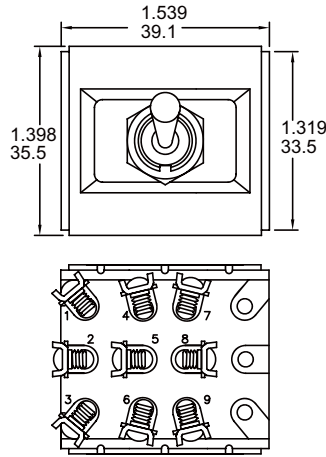
DPDT
706-1-A3-B2-H2



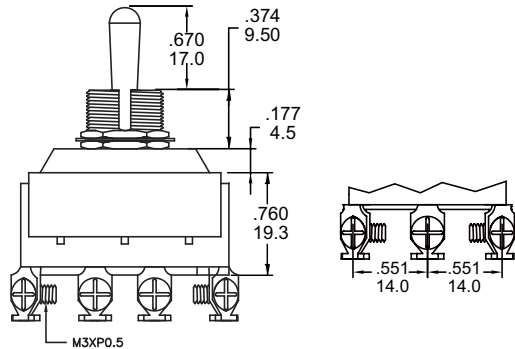
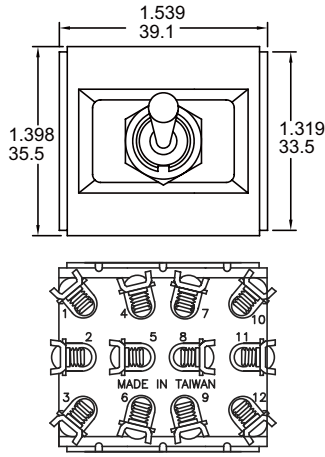
LPO Series Toggle Switches



SPST
708-A3-B2-H2

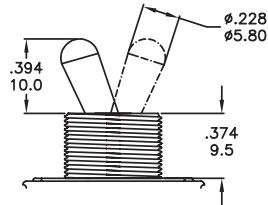


SPDT
709-A3-B2-H2

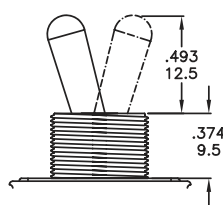


ACTUATOR OPTIONS

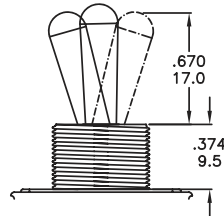
A1



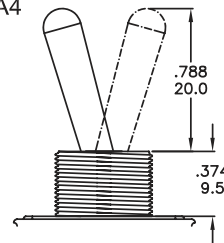
A2



A3

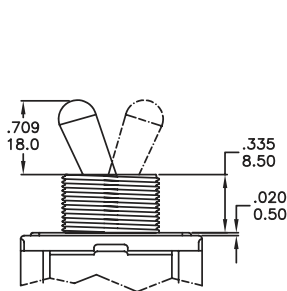


A4

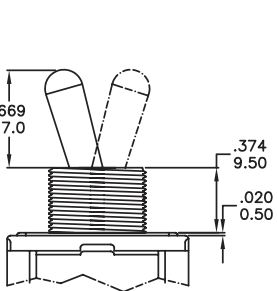


BUSHING OPTIONS

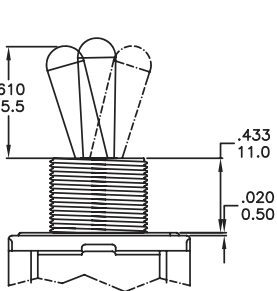
B1



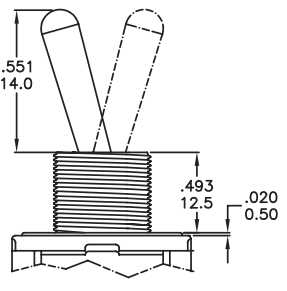
B2



B3

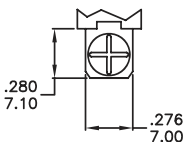


B4

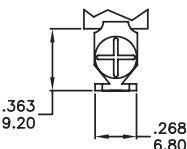


TERMINATION OPTIONS

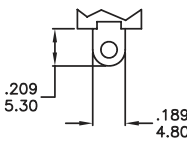
H1



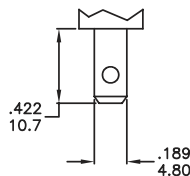
H2



H3



H4



H5

