

GSS Series *Sealed Tact Switches*



SPECIFICATIONS:

OPERATING TEMPERATURE RANGE: - 40 to + 80°C

CONTACT RATINGS: DC 12 V / 30mA

CONTACT RESISTANCE: Max 50 m Ω . Max 1 m Ω after life test.

INSULATION RESISTANCE: 100M Ω Min

DIELECTRIC STRENGTH: Leakage \leq 10mA

MATERIALS

STEM: PBT + 30 GF

COVER: BS (BRASS COPPER)

RUBBER: SILCON RUBBER

PLATING: NICKLE PLATING 1 μ / TERMINALS & COVER

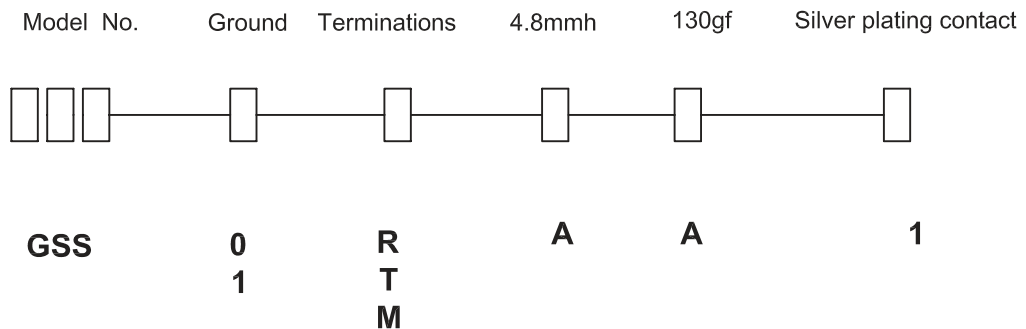
DOME: STS (STAINLESS) + 1 μ SILVER PLATING

TERMINAL: BS (BRASS COPPER)

CONTACTOR: 5 MICRON INCHES GOLD PLATING (Steady Contactor)

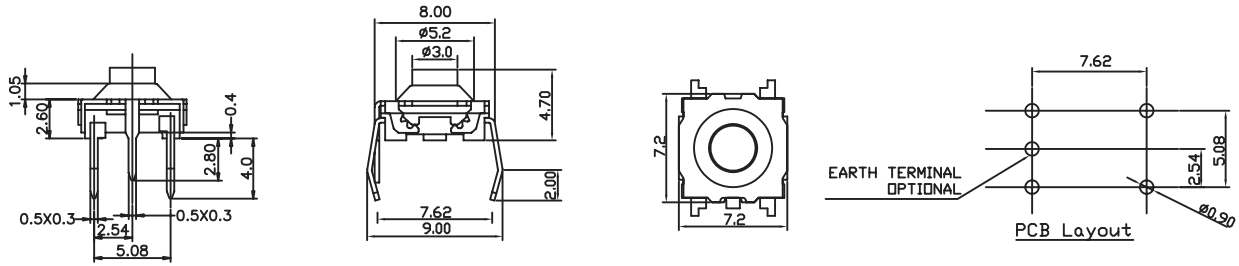
HOUSING: PBT + 30 GF For Through Hole Version / Nylon 4/6 For SMD Version

HOW TO ORDER

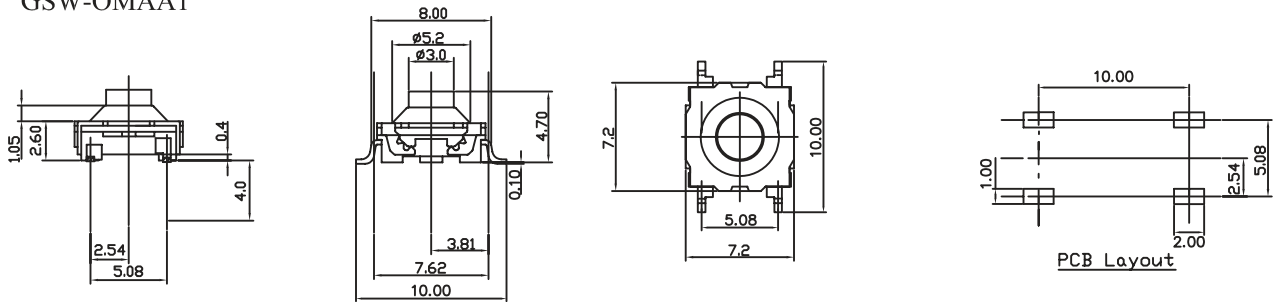


GSS Series Sealed Tact Switches

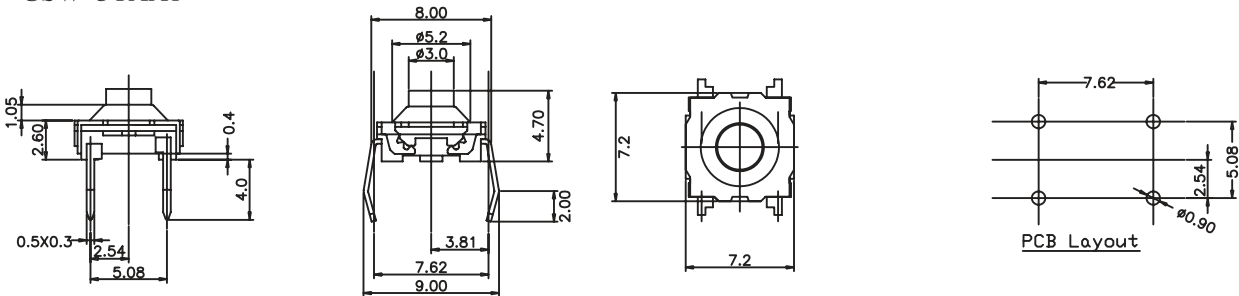
GSW-1TAA1



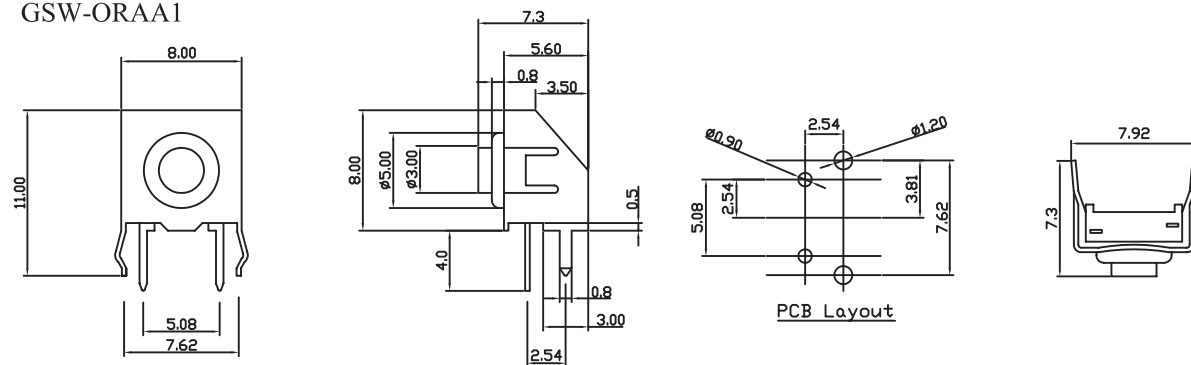
GSW-OMAA1



GSW-OTAA1



GSW-ORAA1



Crest Technologies Pty Ltd. www.cresttech.com.au sales@cresttech.com.au +61 3 9873 8830