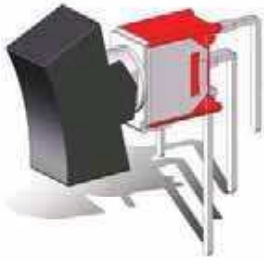


4M Series

Sub-Miniature Rocker Switches



SPECIFICATIONS

CONTACT RATING: Dependent upon contact material .
MECHANICAL LIFE: 30,000 make-and-break cycles.
CONTACT RESISTANCE: 20mΩ max. Initial @ 2-4VDC
 100mA for both silver and gold plated contacts.
INSULATION RESISTANCE: 1,000MΩ min.
DIELECTRIC STRENGTH: 1,000 V RMS@sea level.
OPERATING TEMPERATURE: -30°C to 85°C.

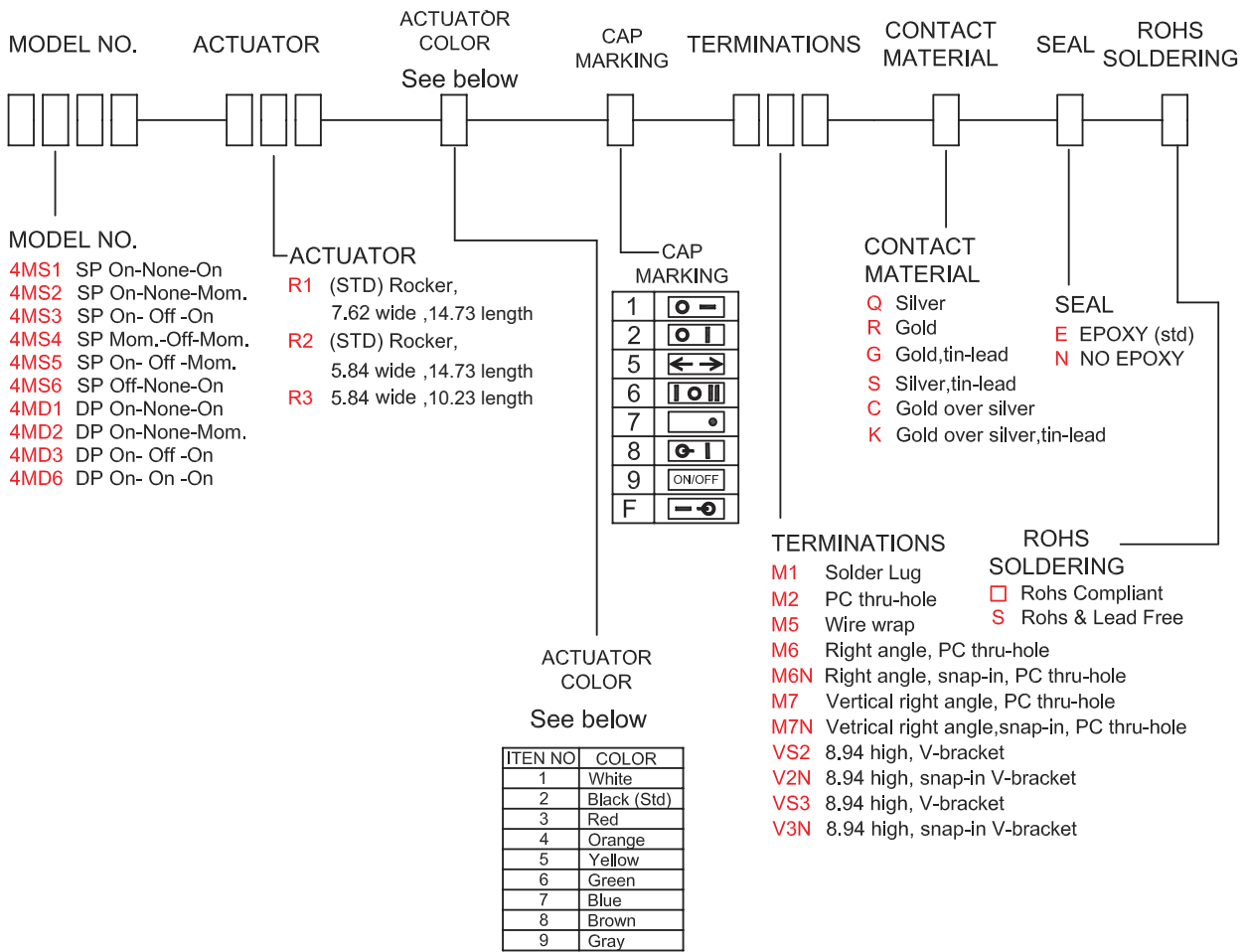
MATERIALS

CASE - Diallyl phthalate (DAP)(UL94V-0).
ACTUATOR - Nylon,black std.
BUSHING - Brass,nickel plated.
HOUSING - Stainless Steel.
SWITCH SUPPORT - Brass,tin plated.
TERMINAL/CONTACT - Silver or gold. (See Page 73)

Crest Technologies Pty Ltd. www.cresttech.com.au sales@cresttech.com.au +61 3 9873 8830

Sub-Miniature Rocker Switches
4M

HOW TO ORDER



SWITCH FUNCTION

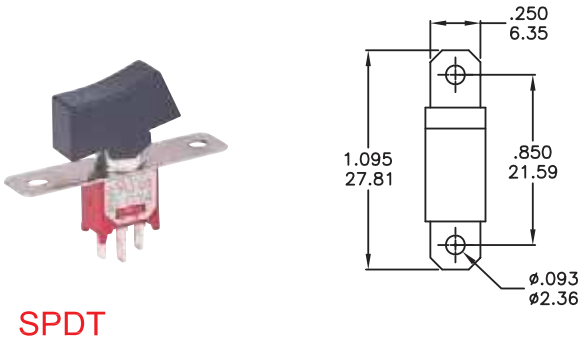
NO. POLES	UL/CSA MODEL NO.	MODEL NO.	SWITCH FUNCTION			CONNECTED TERMINALS / SCHEMATIC		
			POS.1	POS.2	POS.3	POS.1	POS.2	POS.3
SP	Q2411	4MS1	ON	NONE	ON	2-3 	N/A	2-1
	Q2412	4MS2	ON	NONE	MOM		OPEN	N/A
	Q2413	4MS3	ON	OFF	ON			
	Q2414	4MS4	MOM	OFF	MOM	OPEN	N/A	3-1
	Q2415	4MS5	ON	OFF	MOM			
	Q2416	4MS6	OFF	NONE	ON			
DP	Q2421	4MD1	ON	NONE	ON	2-3,5-6 	N/A	2-1,5-4
	Q2422	4MD2	ON	NONE	MOM		OPEN	N/A
	Q2423	4MD3	ON	OFF	ON	2-3,5-6		
	Q2426	4MD6	ON	ON	ON			

MOM=MOMENTARY

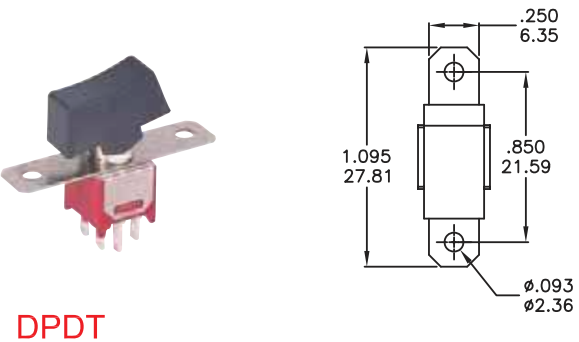
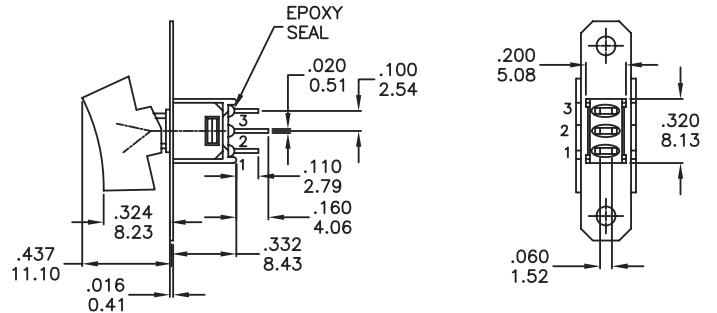
▲ Please check the availability in advance before order

4M Sub-Miniature Rocker Switches

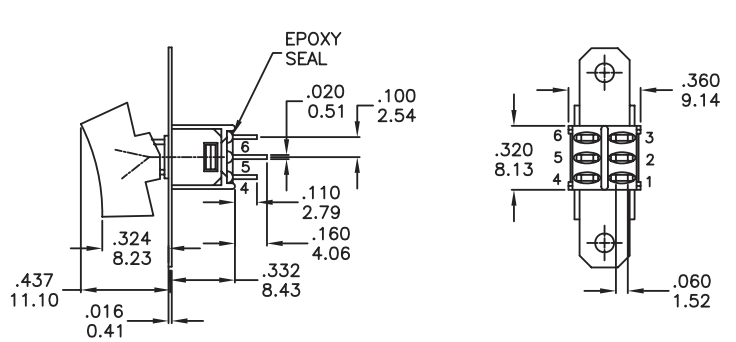
POLE OPTIONS



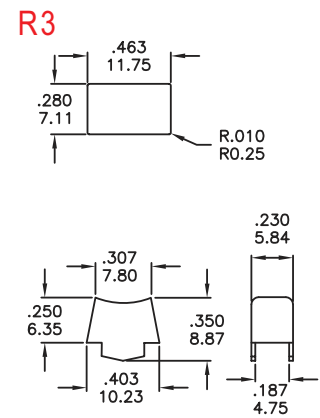
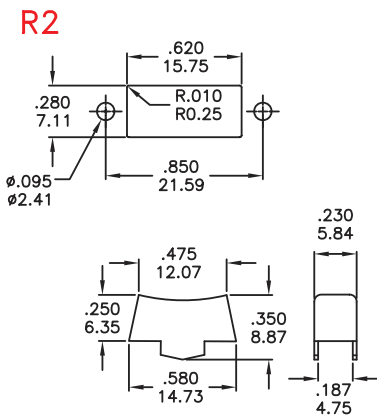
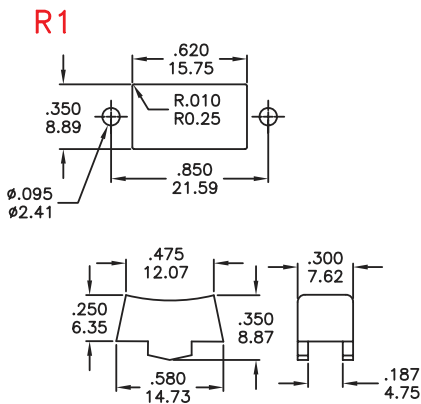
Part No. Shown : 4MS1R12M1QE



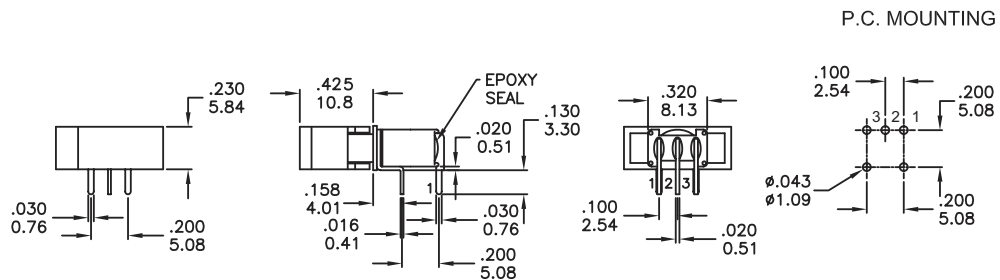
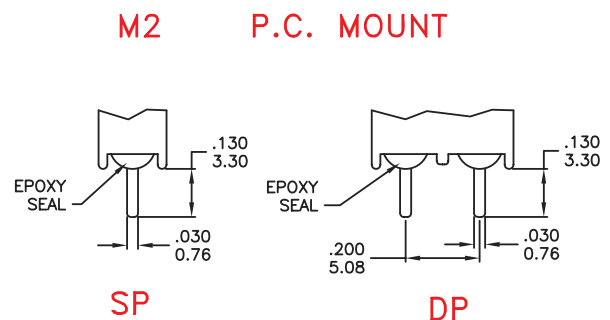
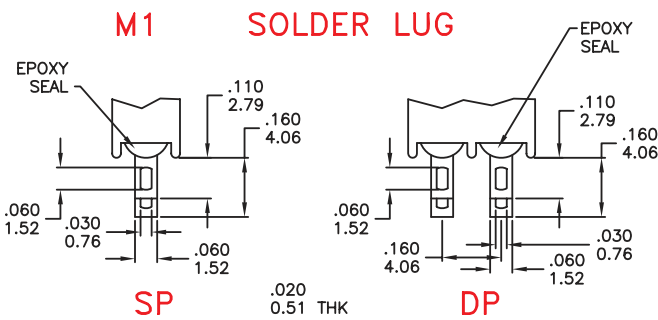
Part No. Shown : 4MD1R12M1QE



ACTUATOR OPTIONS-PANLE MOUNT

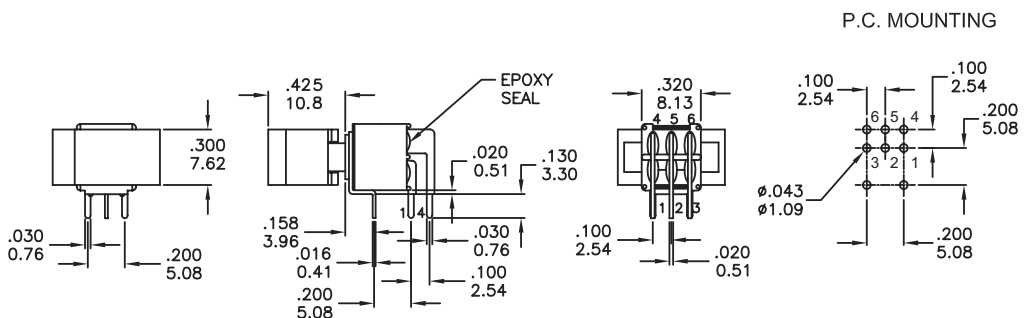


TERMINATION OPTIONS



SPDT

Part No. Shown : 4MS1R22M6QE



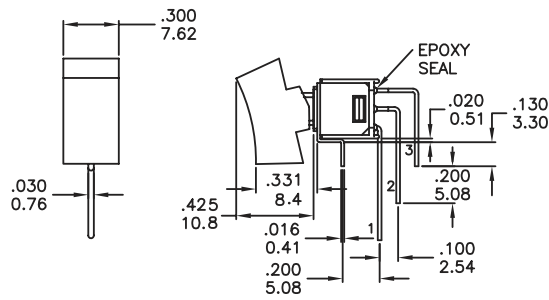
DPDT

Part No. Shown : 4MD1R12M6QE

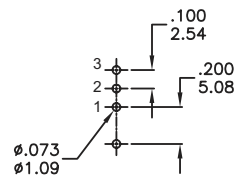
4M Series

Sub-Miniature Rocker Switches

M7



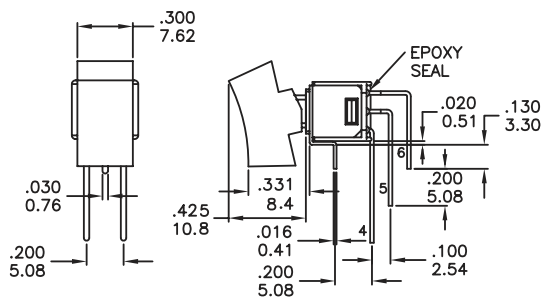
P.C. MOUNTING



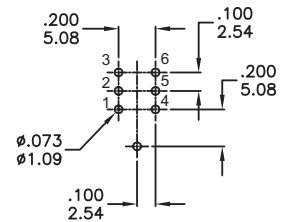
SPDT

Part No. Shown : 4MS1R12M7QE

M7



P.C. MOUNTING



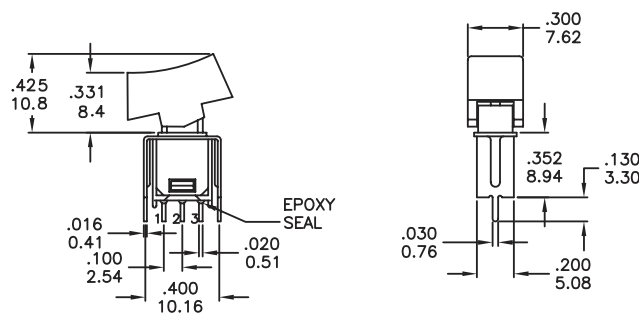
DPDT

Part No. Shown : 4MD1R12M7QE

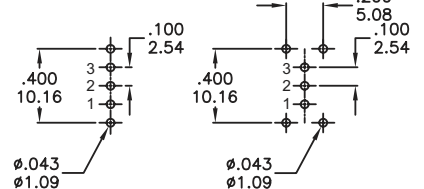
Sub-Miniature
Rocker Switches

4M

VS2 - VS3



P.C. MOUNTING



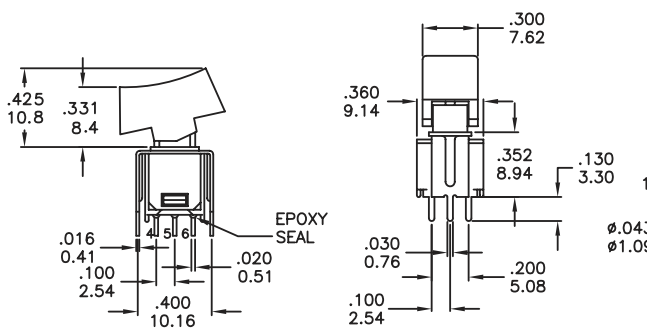
VS2

VS3

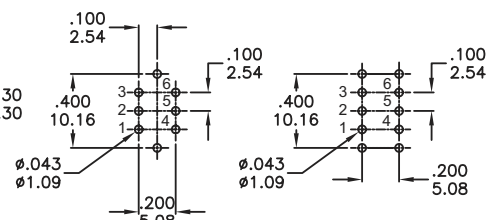
SPDT

Part No. Shown : 4MS1R12VS2QE

VS2 - VS3



P.C. MOUNTING



VS2

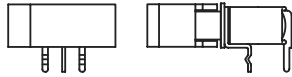
VS3

DPDT

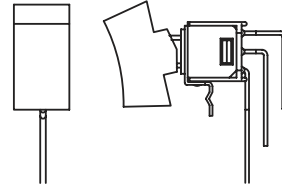
Part No. Shown : 4MS1R12VS2QE

SNAP-IN TERMINATION OPTIONS

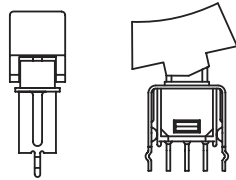
M6N



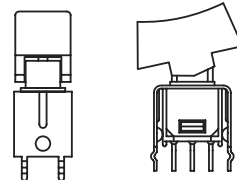
M7N



V2N



V3N



CONTACT MATERIAL OPTIONS

	CONTACT MATERIAL	TERMINATION RATING	RATINGS
Q	Silver	Q = Silver	3 Amps with resistant load @ 120VAC or 28VDC 1 Amps with resistant load @ 250VAC
S		S = Silver,pure - tin	
C	Gold over Silver	C = Gold over silver	
K		K = Gold over silver,pure - tin	
R	Gold	R = Gold	0.4 Volt-Amps(VA)max. @ 20V max. (AC or DC)
G		G = Gold,pure - tin	