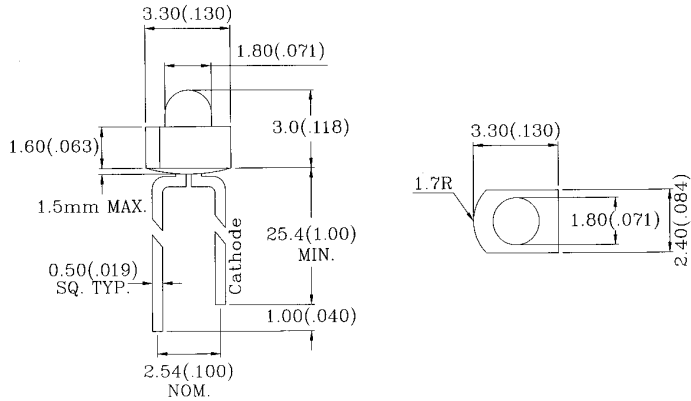
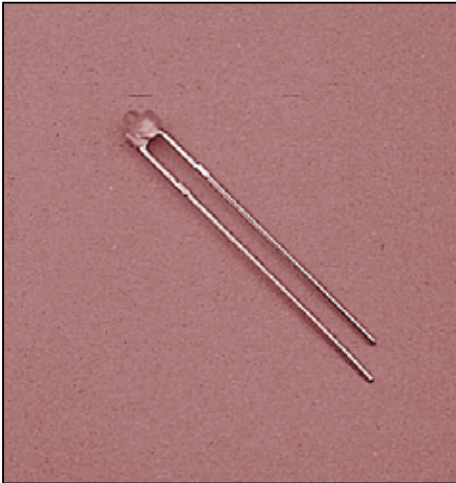
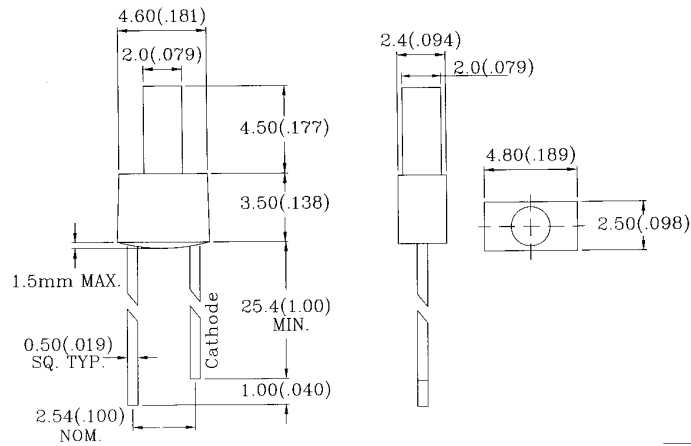
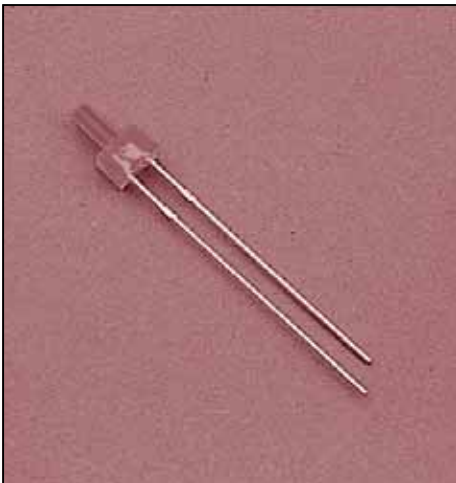


L-2042XX 1.8 mm Dia TOWER TYPE LED LAMP



Part No.	Chip		Lens Color	Wave Length λ p(nm)	Electro-Optical Characteristics			View Angle (deg)
	Raw Material	Emitted Color			Vf(V)20mA		lv(mcd)20mA	
					Typ.	Max.	Typ.	
L-2042H-D	GaP	Red	Red Diffused	700	2.3	2.8	8.0	60
L-2042GD	GaP	Green	Green Diffused	565	2.2	2.8	15.0	60
L-2042YD	GaAsP/GaP	Yellow	Yellow Diffused	585	2.1	2.8	12.0	60
L-2042ED	GaAsP/GaP	Hi.effi Red	Red Diffused	635	2.1	2.8	25.0	60
L-2042SRD	GaAlAs	Super Red	Red Diffused	660	1.8	2.2	40.0	60

L-214XX 2.0 mm Dia TOWER TYPE LED LAMP



Part No.	Chip		Lens Color	Wave Length λ p(nm)	Electro-Optical Characteristics			View Angle (deg)
	Raw Material	Emitted Color			Vf(V)20mA		lv(mcd)20mA	
					Typ.	Max.	Typ.	
L-214HD	GaP	Red	Red Diffused	700	2.3	2.8	2.0	90
L-214GD	GaP	Green	Green Diffused	565	2.2	2.8	3.0	90
L-214YD	GaAsP/GaP	Yellow	Yellow Diffused	585	2.1	2.8	2.0	90
L-214ED	GaAsP/GaP	Hi.effi Red	Red Diffused	635	2.1	2.8	4.0	90
L-214SRD	GaAlAs	Super Red	Red Diffused	660	1.8	2.1	5.0	90

- 1.All dimension are in millimeters (inches).
- 2.Tolerance is ± 0.25 mm (0.01") unless otherwise specified.