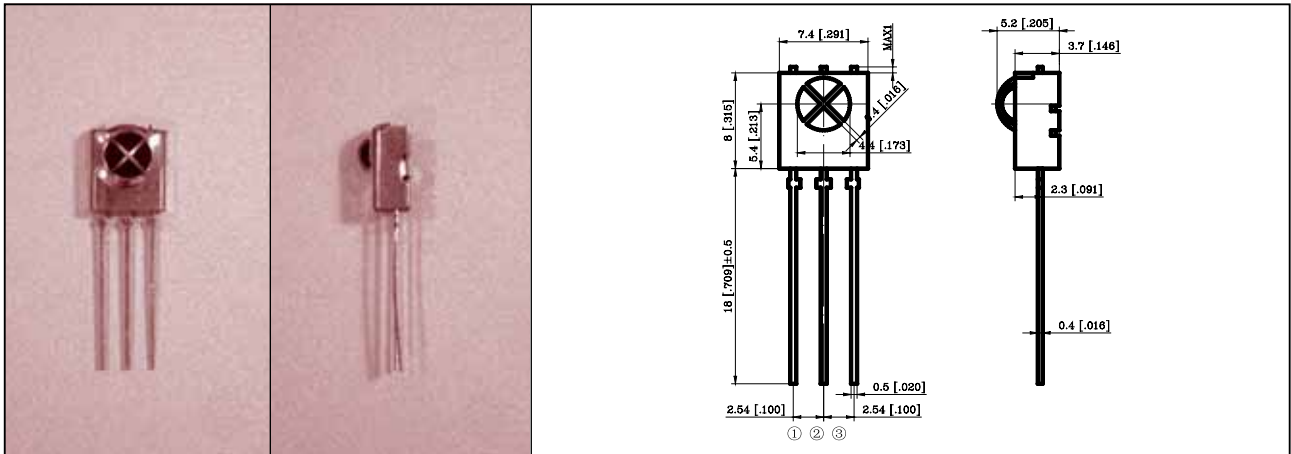
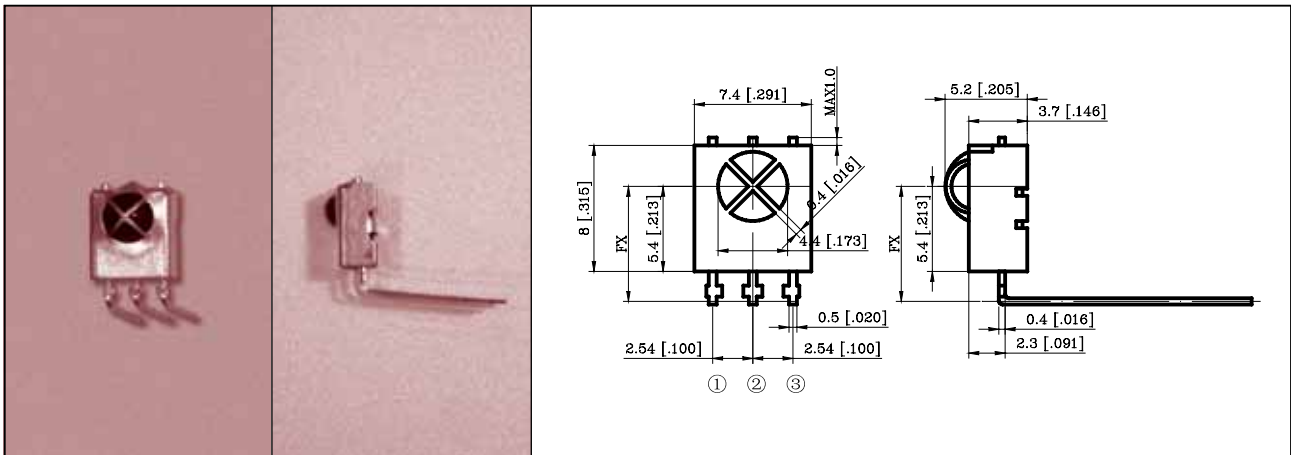


PL-IRM12XX-XXXX Receiver Module



Part No.	Pin Description	Vcc	fo	L(typ.)	Voh	Vol	Twh	Twl
PL-IRM0101-3	①Vout②GND③Vcc	5V	38KHz	35m	4.5V~5V	0.1V~0.5V	500~700	500~700
PL-IRM1221-A538	①Vout②GND③Vcc	5V	38KHz	35m	4.5V~5V	0.1V~0.5V	500~700	500~700
PL-IRM1261-C438	①Vout②GND③Vcc	3~5V	38KHz	16m	2.4V~5V	0.1V~0.5V	400~800	400~800
PL-IRM1281-C438	①Vout②GND③Vcc	3~5V	38KHz	16m	2.7V~5V	0.1V~0.5V	400~800	400~800
PL-IRM1222-A538	①Vout②Vcc③GND	5V	38KHz	35m	4.5V~5V	0.1V~0.5V	500~700	500~700
PL-IRM1262-C438	①Vout②Vcc③GND	3~5V	38KHz	16m	2.4V~5V	0.1V~0.5V	400~800	400~800
PL-IRM1282-C438	①Vout②Vcc③GND	3~5V	38KHz	16m	2.7V~5V	0.1V~0.5V	400~800	400~800

PL-IRM12XXFX-XXXX Receiver Module

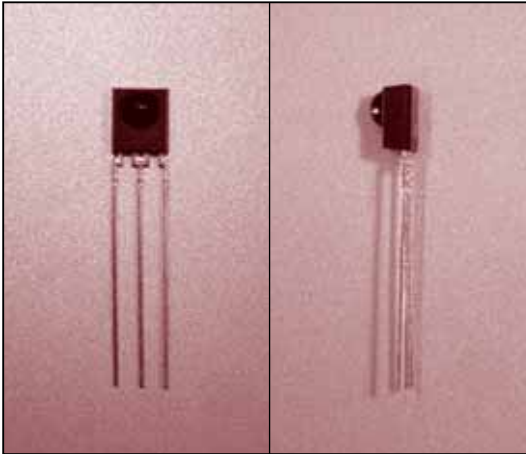


Part No.	Pin Description	Vcc	fo	L(typ.)	Voh	Vol	Twh	Twl
PL-IRM0206-A538	①Vout②GND③Vcc	5V	38KHz	35m	4.5V~5V	0.1V~0.5V	500~700	500~700
PL-IRM1221F1-A538	①Vout②GND③Vcc	5V	38KHz	35m	4.5V~5V	0.1V~0.5V	500~700	500~700
PL-IRM1261F1-C438	①Vout②GND③Vcc	3~5V	38KHz	16m	2.4V~5V	0.1V~0.5V	400~800	400~800
PL-IRM1281F1-C438	①Vout②GND③Vcc	3~5V	38KHz	16m	2.7V~5V	0.1V~0.5V	400~800	400~800
PL-IRM1222F1-A538	①Vout②Vcc③GND	5V	38KHz	35m	4.5V~5V	0.1V~0.5V	500~700	500~700
PL-IRM1262F1-C438	①Vout②Vcc③GND	3~5V	38KHz	16m	2.4V~5V	0.1V~0.5V	400~800	400~800

Remark:

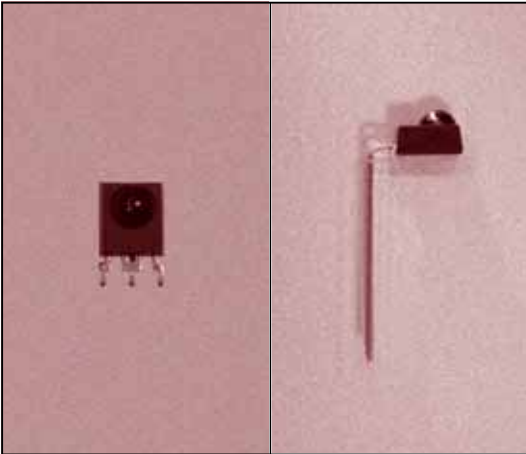
Frequency:32.0KHz 32.7KHz 36.0KHz 36.7KHz 37.9KHz(38KHz) 40.0KHz 56.7KHz are available if customer request.

PL-IRM21XX-XXXX Receiver Module



Part No.	Pin Description	Vcc	fo	L(typ.)	Voh	Vol	Twh	Twl
PL-IRM0208-A538	①Vout②GND③Vcc	5V	38KHz	35m	4.5V~5V	0.1V~0.5V	500~700	500~700
PL-IRM0303-A538	①Vout②Vcc③GND	5V	38KHz	35m	4.5V~5V	0.1V~0.5V	500~700	500~700
PL-IRM2121-A538	①Vout②GND③Vcc	5V	38KHz	35m	4.5V~5V	0.1V~0.5V	500~700	500~700
PL-IRM2122-A538	①Vout②Vcc③GND	5V	38KHz	35m	4.5V~5V	0.1V~0.5V	500~700	500~700
PL-IRM2162-C438	①Vout②Vcc③GND	3~5V	38KHz	16m	2.4V~5V	0.1V~0.5V	400~800	400~800
PL-IRM2161-C438	①Vout②GND③Vcc	3~5V	38KHz	16m	2.4V~5V	0.1V~0.5V	400~800	400~800
PL-IRM2181-C438	①Vout②GND③Vcc	3~5V	38KHz	16m	2.7V~5V	0.1V~0.5V	400~800	400~800

PL-IRM21XXFX-XXXX Receiver Module

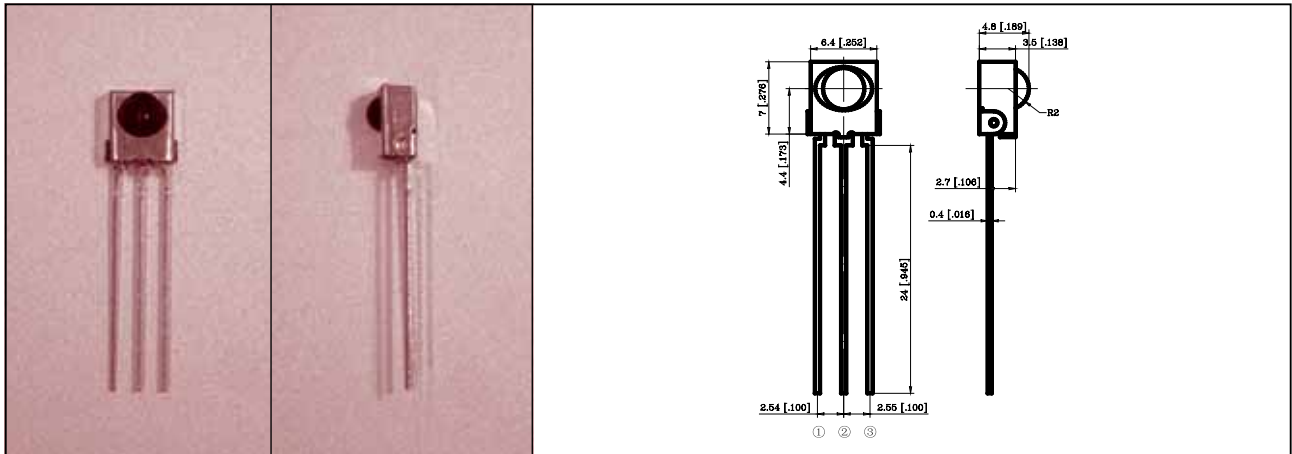


Part No.	Pin Description	Vcc	fo	L(typ.)	Voh	Vol	Twh	Twl
PL-IRM0301-A538	①Vout②GND③Vcc	5V	38KHz	35m	4.5V~5V	0.1V~0.5V	500~700	500~700
PL-IRM2121F2-C438	①Vout②GND③Vcc	5V	38KHz	35m	4.5V~5V	0.1V~0.5V	500~700	500~700
PL-IRM2122F2-A538	①Vout②Vcc③GND	5V	38KHz	35m	4.5V~5V	0.1V~0.5V	500~700	500~700
PL-IRM2122F4-A538	①Vout②Vcc③GND	5V	38KHz	35m	4.5V~5V	0.1V~0.5V	500~700	500~700
PL-IRM2161F2-C438	①Vout②GND③Vcc	3~5V	38KHz	16m	2.4V~5V	0.1V~0.5V	400~800	400~800
PL-IRM2181F2-C438	①Vout②GND③Vcc	3~5V	38KHz	16m	2.7V~5V	0.1V~0.5V	400~800	400~800

Remark:

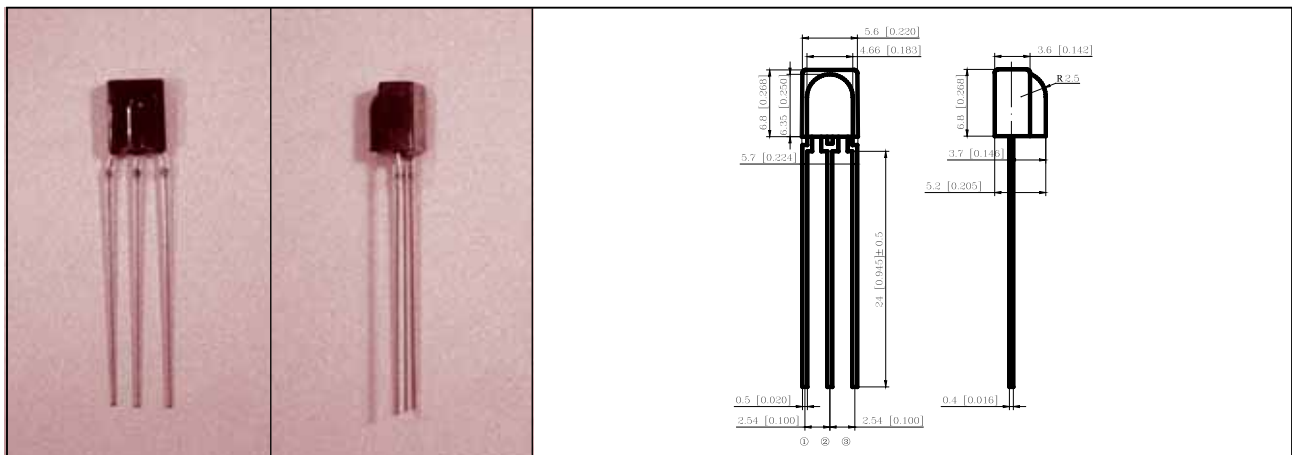
Frequency:32.0KHz 32.7KHz 36.0KHz 36.7KHz 37.9KHz(38KHz) 40.0KHz 56.7KHz are available if customer request.

PL-IRM27XX-XXXX Receiver Module



Part No.	Pin Description	Vcc	fo	L(typ.)	Voh	Vol	Twh	Twl
PL-IRM2721-A538	①Vout②GND③Vcc	5V	38KHz	35m	4.5V~5V	0.1V~0.5V	500~700	500~700
PL-IRM2722-A538	①Vout②Vcc③GND	5V	38KHz	35m	4.5V~5V	0.1V~0.5V	500~700	500~700
PL-IRM2761-C438	①Vout②GND③Vcc	3~5V	38KHz	16m	2.4V~5V	0.1V~0.5V	400~800	400~800
PL-IRM2762-C438	①Vout②Vcc③GND	3~5V	38KHz	16m	2.4V~5V	0.1V~0.5V	400~800	400~800
PL-IRM2781-C438	①Vout②GND③Vcc	3~5V	38KHz	16m	2.4V~5V	0.1V~0.5V	400~800	400~800
PL-IRM2782-C438	①Vout②Vcc③GND	3~5V	38KHz	16m	2.4V~5V	0.1V~0.5V	400~800	400~800

PL-IRM31XXFX-XXXX Receiver Module

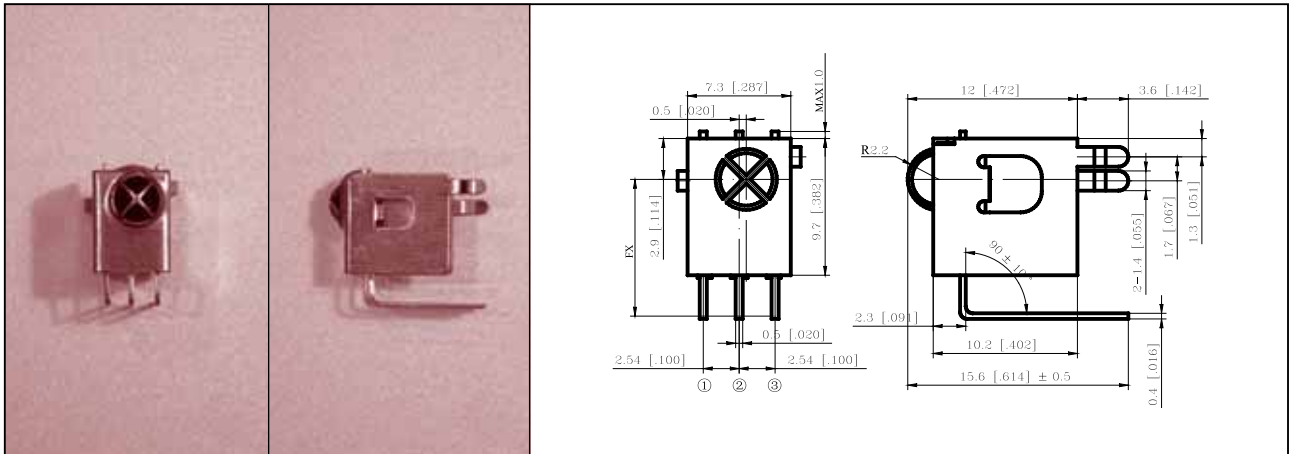


Part No.	Pin Description	Vcc	fo	L(typ.)	Voh	Vol	Twh	Twl
PL-IRM3121-A538	①Vout②GND③Vcc	5V	38KHz	35m	4.5V~5V	0.1V~0.5V	500~700	500~700
PL-IRM3122-A538	①Vout②Vcc③GND	5V	38KHz	35m	4.5V~5V	0.1V~0.5V	500~700	500~700
PL-IRM3161-C438	①Vout②GND③Vcc	3~5V	38KHz	16m	2.4V~5V	0.1V~0.5V	400~800	400~800
PL-IRM3162-C438	①Vout②Vcc③GND	3~5V	38KHz	16m	2.4V~5V	0.1V~0.5V	400~800	400~800
PL-IRM3181-C438	①Vout②GND③Vcc	3~5V	38KHz	16m	2.4V~5V	0.1V~0.5V	400~800	400~800
PL-IRM3162-C438	①Vout②Vcc③GND	3~5V	38KHz	16m	2.4V~5V	0.1V~0.5V	400~800	400~800

Remark:

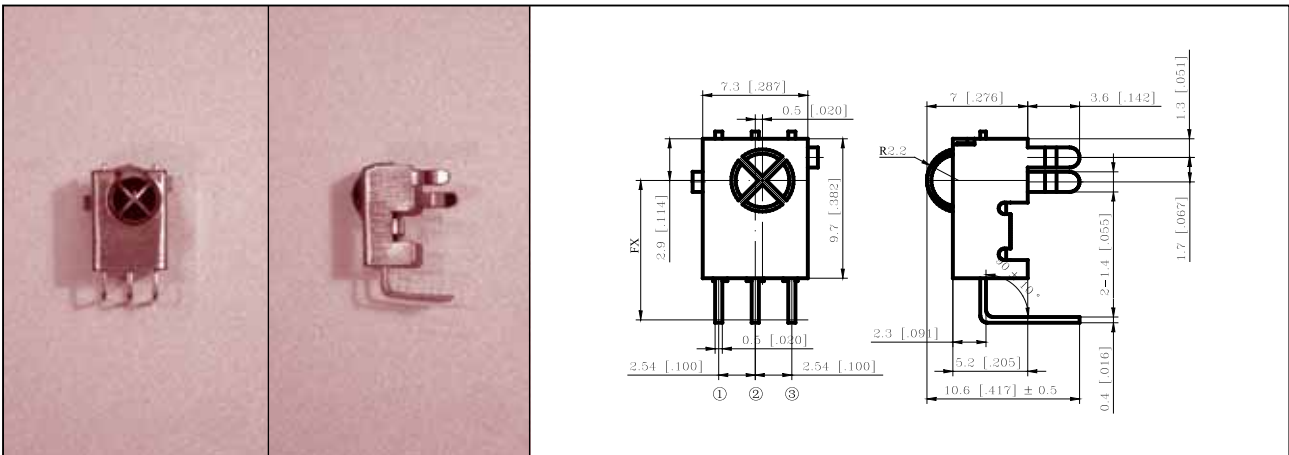
Frequency:32.0KHz 32.7KHz 36.0KHz 36.7KHz 37.9KHz(38KHz) 40.0KHz 56.7KHz are available if customer request.

PL-IRM14XX-XXXX Receiver Module



Part No.	Pin Description	Vcc	fo	L(typ.)	Voh	Vol	Twh	Twl
PL-IRM0404-A538	①Vout②Vcc③GND	5V	38KHz	35m	4.5V~5V	0.1V~0.5V	500~700	500~700
PL-IRM1412F4-A538	①Vout②Vcc③GND	5V	38KHz	35m	4.5V~5V	0.1V~0.5V	500~700	500~700
PL-IRM1422F4-A538	①Vout②Vcc③GND	5V	38KHz	35m	4.5V~5V	0.1V~0.5V	500~700	500~700
PL-IRM1462F4-C438	①Vout②Vcc③GND	3~5V	38KHz	16m	2.4V~5V	0.1V~0.5V	400~800	400~800
PL-IRM1482F4-C438	①Vout②Vcc③GND	3~5V	38KHz	16m	2.7V~5V	0.1V~0.5V	400~800	400~800

PL-IRM15XX-XXXX Receiver Module

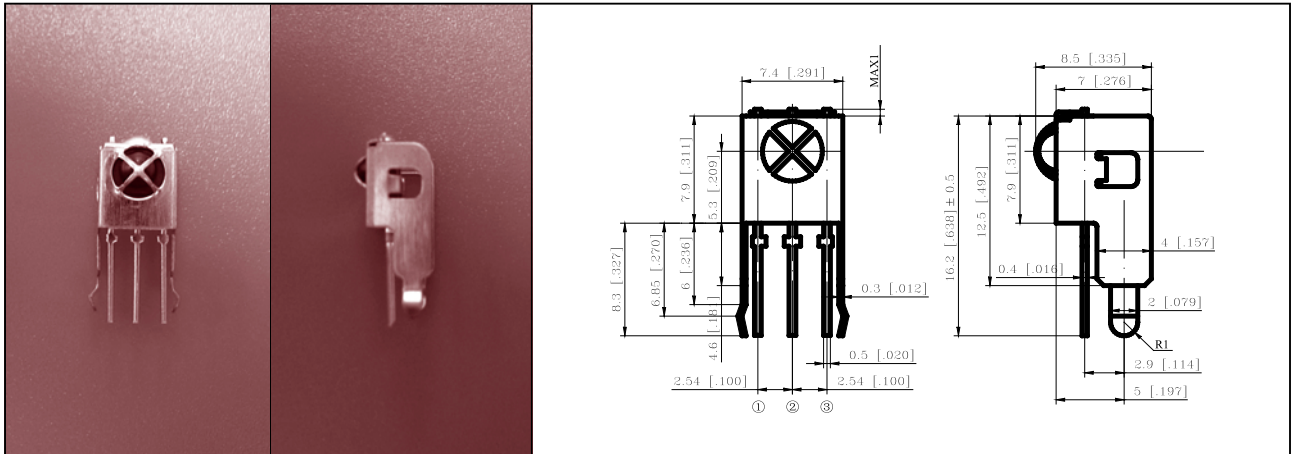


Part No.	Pin Description	Vcc	fo	L(typ.)	Voh	Vol	Twh	Twl
PL-IRM0405-A538	①Vout②Vcc③GND	5V	38KHz	35m	4.5V~5V	0.1V~0.5V	500~700	500~700
PL-IRM1512F4-A538	①Vout②Vcc③GND	5V	38KHz	35m	4.5V~5V	0.1V~0.5V	500~700	500~700
PL-IRM1522F4-A538	①Vout②Vcc③GND	5V	38KHz	35m	4.5V~5V	0.1V~0.5V	500~700	500~700
PL-IRM1562F4-C438	①Vout②Vcc③GND	3~5V	38KHz	16m	2.4V~5V	0.1V~0.5V	400~800	400~800
PL-IRM1582F4-C438	①Vout②Vcc③GND	3~5V	38KHz	16m	2.7V~5V	0.1V~0.5V	400~800	400~800

Remark:

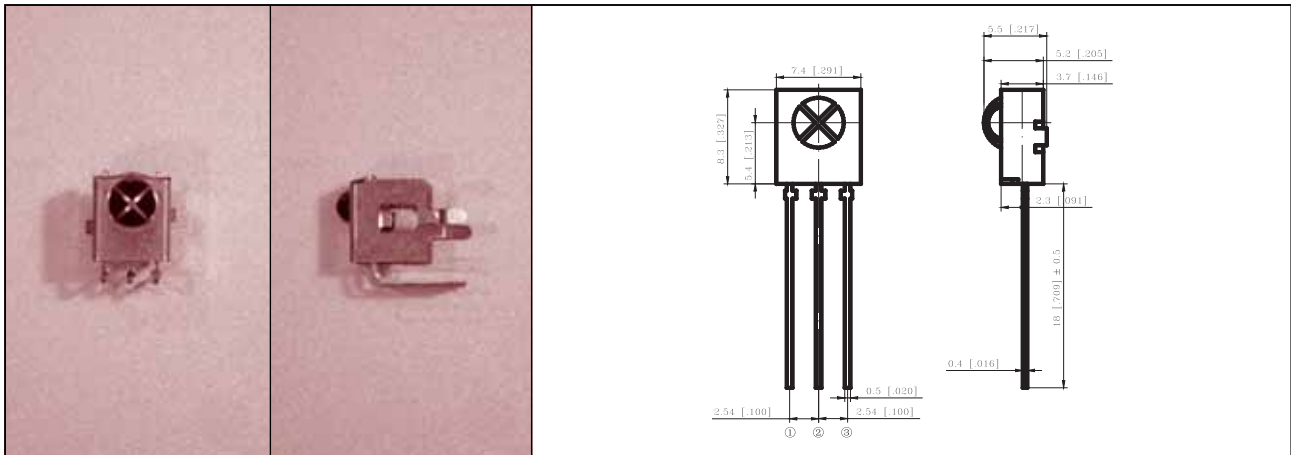
Frequency:32.0KHz 32.7KHz 36.0KHz 36.7KHz 37.9KHz(38KHz) 40.0KHz 56.7KHz are available if customer request.

PL-IRM13XX-XXXX Receiver Module



Part No.	Pin Description	Vcc	fo	L(typ.)	Voh	Vol	Twh	Twl
PL-IRM0204-A538	①Vout②GND③Vcc	5V	38KHz	35m	4.5V~5V	0.1V~0.5V	500~700	500~700
PL-IRM1311-A538	①Vout②GND③Vcc	5V	38KHz	35m	4.5V~5V	0.1V~0.5V	500~700	500~700
PL-IRM1321-A538	①Vout②GND③Vcc	5V	38KHz	35m	4.5V~5V	0.1V~0.5V	500~700	500~700

PL-IRM1BXXF1-A538 Receiver Module



Part No.	Pin Description	Vcc	fo	L(typ.)	Voh	Vol	Twh	Twl
PL-IRM1B11F1-A538	①Vout②GND③Vcc	5V	38KHz	35m	4.5V~5V	0.1V~0.5V	500~700	500~700
PL-IRM1B21F1-A538	①Vout②GND③Vcc	5V	38KHz	35m	4.5V~5V	0.1V~0.5V	500~700	500~700
PL-IRM1B22F1-A538	①Vout②Vcc③GND	5V	38KHz	35m	4.5V~5V	0.1V~0.5V	500~700	500~700
PL-IRM1B61F1-A538	①Vout②GND③Vcc	3~5V	38KHz	16m	2.4V~5V	0.1V~0.5V	400~800	400~800
PL-IRM1B81F1-A538	①Vout②GND③Vcc	3~5V	38KHz	16m	2.7V~5V	0.1V~0.5V	400~800	400~800

Remark:

Frequency:32.0KHz 32.7KHz 36.0KHz 36.7KHz 37.9KHz(38KHz) 40.0KHz 56.7KHz are available if customer request.