

◆**ABSOLUTE MAXIMUM RATING:(Ta=25°C)**

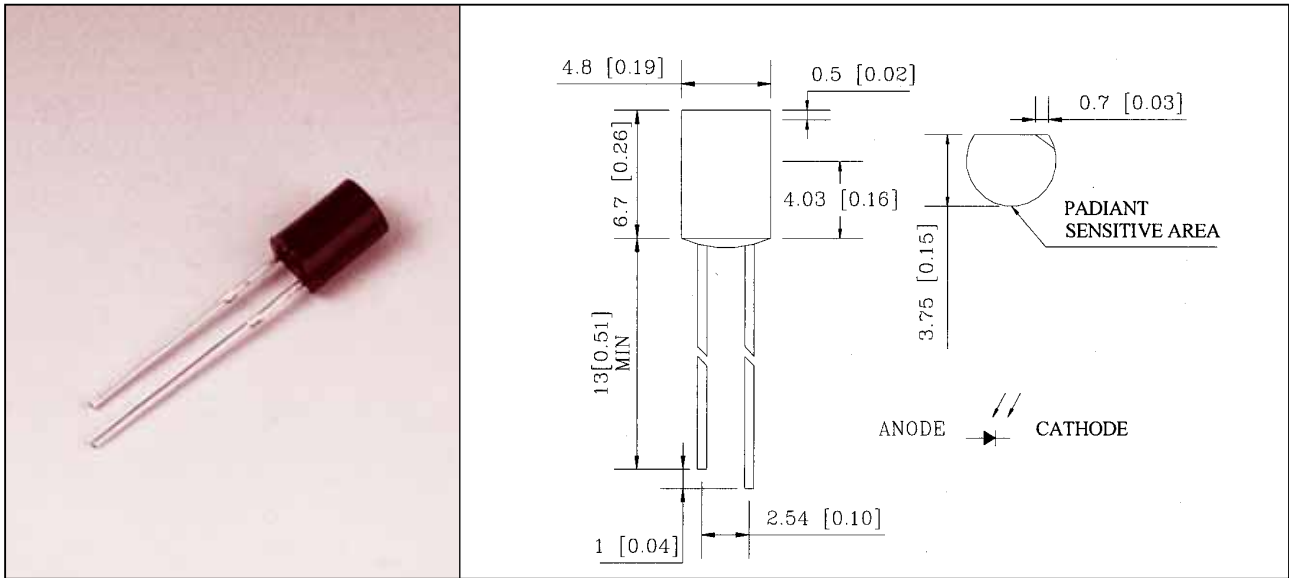
Part No.	P <sub>D</sub> (mw)	V <sub>(BR)R</sub> (V)	Topr	Tstg
L-SB1R9PD1XX	0.1	30	-35°C to 85°C	-35°C to 85°C
<b>PARAMETER</b>	<b>Power Dissipation</b>	<b>Reverse Voltage</b>	<b>Operating Temperature Range</b>	<b>Storage Temperature Range</b>
<b>Lead Soldering Temperature {1.6mm(0.063 inch)From Body}250°C ±5°C For 3 Seconds</b>				

◆**ELECTRO-OPTICAL CHARACTERISTICS:(Ta=25°C)**

Part No.	I <sub>D</sub> (nA)			V <sub>(BR)R</sub> (V)			V <sub>OC</sub> (mV)			I <sub>L</sub> (uA)			t <sub>ON</sub> /t <sub>OFF</sub> (nS)			C <sub>T</sub> (pF)			λ (nm)		
	MIN	TYP	MAX	MIN	TYP	MAX	MIN	TYP	MAX	MIN	TYP	MAX	MIN	TYP	MAX	MIN	TYP	MAX	MIN	PEAK	MAX
L-SB1R9PD1C		5	30	33	170			390		30	40			45/45		18		400		1050	
L-SB1R9PD1D1		5	30	33	170			390		30	40			45/45		18		900	940		
L-SB1R9PD1D2		5	30	33	170			390		30	40			45/45		18		800	870		
<b>TEST CONDITION</b>	V <sub>R</sub> =10V E <sub>e</sub> =0mW/cm <sup>2</sup>			I <sub>R</sub> =100uA E <sub>e</sub> =0mW/cm <sup>2</sup>			λ=940nm E <sub>e</sub> =0.5mW/cm <sup>2</sup>			V <sub>R</sub> =5V E <sub>e</sub> =0.1mW/cm <sup>2</sup>			V <sub>R</sub> =10V R <sub>L</sub> =100Ω			f=1MHZ V <sub>R</sub> =5V E <sub>e</sub> =0mW/cm <sup>2</sup>					
<b>PARAMETER</b>	REVERSE DARK CURRENT			REVERSE BREAKDOWN VOLTAGE			OPEN CIRCUIT VOLTAGE			LIGHT CURRENT			TURN-ON TURN-OFF TIME			TOTAL CAPACITANCE			SPECTRAL SENSITIVITY WAVELENGTH		

D1,D2=BLACK

- 1.All dimension are in millimeters (inches).
- 2.Tolerance is ± 0.25 mm (0.01") unless otherwise specified.



◆**ABSOLUTE MAXIMUM RATING:(Ta=25°C)**

Part No.	P <sub>D</sub> (mw)	V <sub>(BR)R</sub> (V)	T <sub>opr</sub>	T <sub>stg</sub>
L-SC1R9PD1XX	0.1	30	-35°C to 85°C	-35°C to 85°C
<b>PARAMETER</b>	<b>Power Dissipation</b>	<b>Reverse Voltage</b>	<b>Operating Temperature Range</b>	<b>Storage Temperature Range</b>
<b>Lead Soldering Temperature {1.6mm(0.063 inch)From Body}250°C ±5°C For 3 Seconds</b>				

◆**ELECTRO-OPTICAL CHARACTERISTICS:(Ta=25°C)**

Part No.	I <sub>D</sub> (nA)			V <sub>(BR)R</sub> (V)			V <sub>OC</sub> (mV)			I <sub>L</sub> (uA)			t <sub>ON</sub> /t <sub>OFF</sub> (nS)			C <sub>T</sub> (pF)			λ (nm)		
	MIN	TYP	MAX	MIN	TYP	MAX	MIN	TYP	MAX	MIN	TYP	MAX	MIN	TYP	MAX	MIN	TYP	MAX	MIN	PEAK	MAX
L-SC1R9PD1C		5	30	33	170			390		30	40			45/45		18			400		1050
L-SC1R9PD1D1		5	30	33	170			390		30	40			45/45		18			900	940	
L-SC1R9PD1D2		5	30	33	170			390		30	40			45/45		18			800	870	
<b>TEST CONDITION</b>	V <sub>R</sub> =10V E <sub>e</sub> =0mW/cm <sup>2</sup>			I <sub>R</sub> =100uA E <sub>e</sub> =0mW/cm <sup>2</sup>			λ=940nm E <sub>e</sub> =0.5mW/cm <sup>2</sup>			V <sub>R</sub> =5V E <sub>e</sub> =0.1mW/cm <sup>2</sup>			V <sub>R</sub> =10V R <sub>L</sub> =100Ω			f=1MHZ V <sub>R</sub> =5V E <sub>e</sub> =0mW/cm <sup>2</sup>					
<b>PARAMETER</b>	REVERSE DARK CURRENT			REVERSE BREAKDOWN VOLTAGE			OPEN CIRCUIT VOLTAGE			LIGHT CURRENT			TURN-ON TURN-OFF TIME			TOTAL CAPACITANCE			SPECTRAL SENSITIVITY WAVELENGTH		

D1,D2=BLACK

1.All dimension are in millimeters (inches).

2.Tolerance is ± 0.25 mm (0.01") unless otherwise specified.