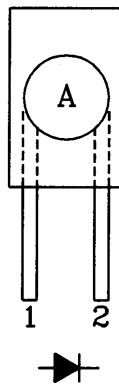
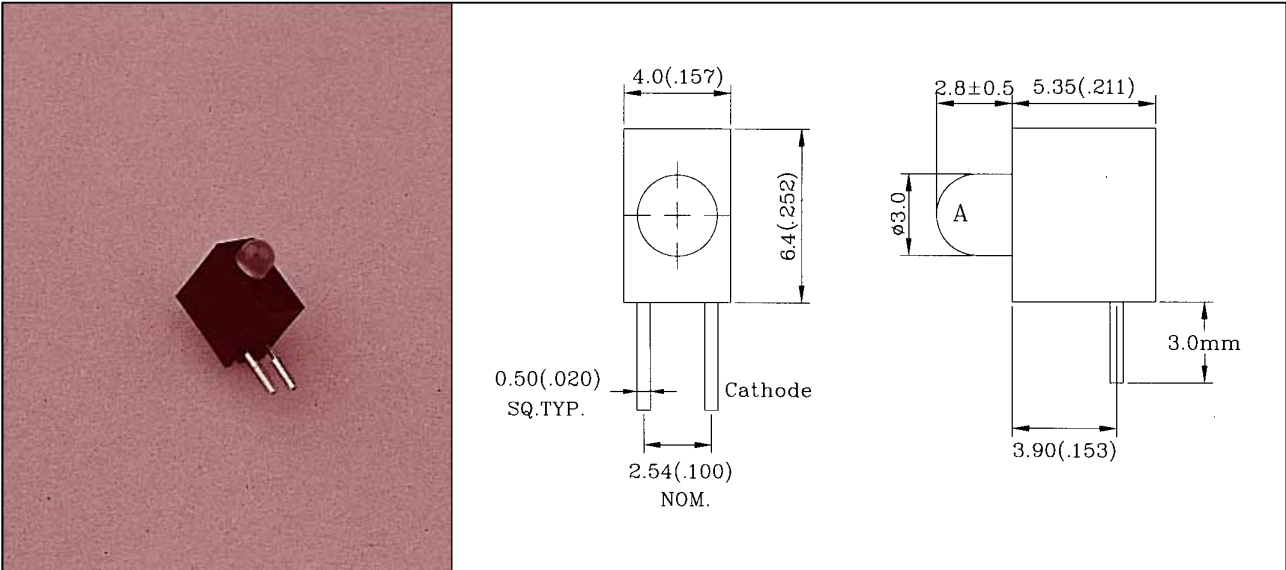


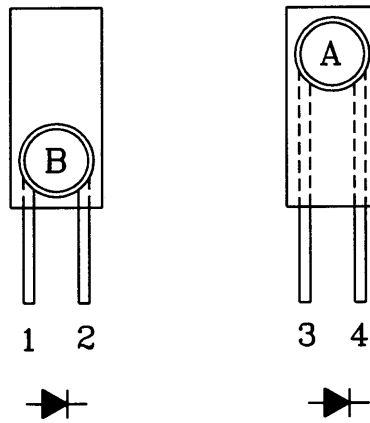
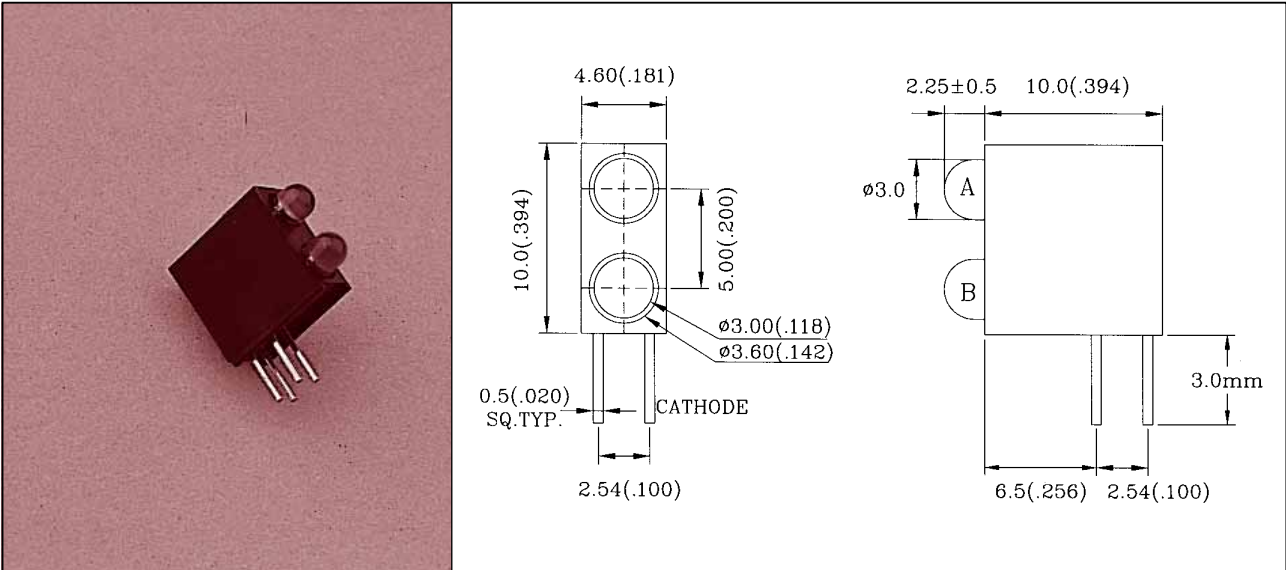
Part No.	LED LAMP	Lens Color	Chip Raw Material	Wave Length $\lambda_p$ (nm)	Electro-Optical Characteristics			View Angle (deg)
					Vf(V)20mA		Iv(mcd)20mA	
					Typ.	Max.	Typ.	
L-H311005B	A=L-3541GD	Green Diffused	GaP	565	2.2	2.8	18.0	60
L-H311006B	A=L-3541YD	Yellow Diffused	GaAsP/GaP	585	2.1	2.8	15.0	60
L-H311007B	A=L-3541HD	Red Diffused	GaP	700	2.3	2.8	8.0	60
L-H311008B	A=L-3541ED	Red Diffused	GaAsP/GaP	635	2.1	2.2	25.0	60

1.All dimension are in millimeters (inches).  
2.Tolerance is  $\pm 0.25$  mm (0.01") unless otherwise specified.



Part No.	LED LAMP	Lens Color	Chip Raw Material	Wave Length $\lambda$ p(nm)	Electro-Optical Characteristics			View Angle (deg)
					Vf(V)20mA		Iv(mcd)20mA	
					Typ.	Max.	Typ.	
L-H314005B	A=L-3541GD	Green Diffused	GaP	565	2.2	2.8	18.0	60
L-H314006B	A=L-3541YD	Yellow Diffused	GaAsP/GaP	585	2.1	2.8	15.0	60
L-H314007B	A=L-3541HD	Red Diffused	GaP	700	2.3	2.8	8.0	60
L-H314008B	A=L-3541ED	Red Diffused	GaAsP/GaP	635	2.1	2.8	25.0	60

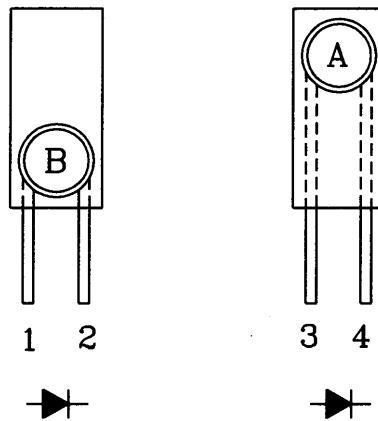
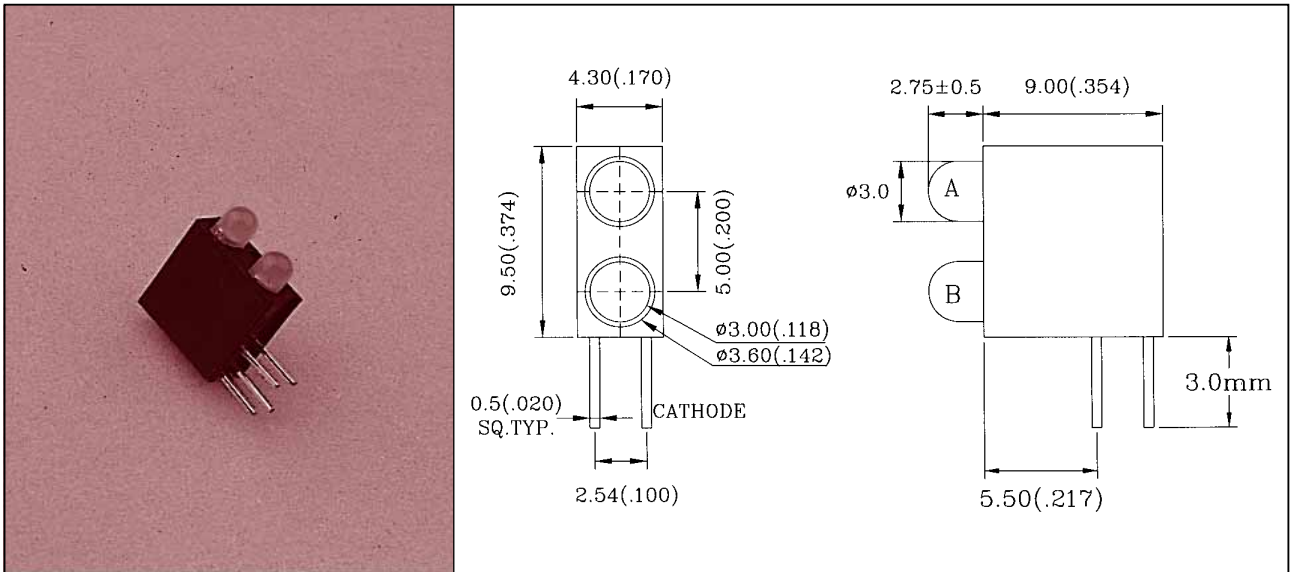
- 1.All dimension are in millimeters (inches).
- 2.Tolerance is  $\pm 0.25$  mm (0.01") unless otherwise specified.



Part No.	LED LAMP	Lens Color	Chip Raw Material	Wave Length $\lambda$ p(nm)	Electro-Optical Characteristics			View Angle (deg)
					Vf(V)20mA		Iv(mcd)20mA	
					Typ.	Max.	Typ.	
L-H322005B	A=L-3541GD	Green Diffused	GaP	565	2.2	2.8	18.0	60
	B=L-3541GD	Green Diffused	GaP	565	2.2	2.8	18.0	60
L-H322006B	A=L-3541YD	Yellow Diffused	GaAsP/GaP	585	2.1	2.8	15.0	60
	B=L-3541YD	Yellow Diffused	GaAsP/GaP	585	2.1	2.8	15.0	60
L-H322007B	A=L-3541HD	Red Diffused	GaP	700	2.3	2.8	8.0	60
	B=L-3541HD	Red Diffused	GaP	700	2.3	2.8	8.0	60
L-H322008B	A=L-3541ED	Red Diffused	GaAsP/GaP	635	2.1	2.8	25.0	60
	B=L-3541ED	Red Diffused	GaAsP/GaP	635	2.1	2.8	25.0	60

- 1.All dimension are in millimeters (inches).
- 2.Tolerance is  $\pm 0.25$  mm (0.01") unless otherwise specified.

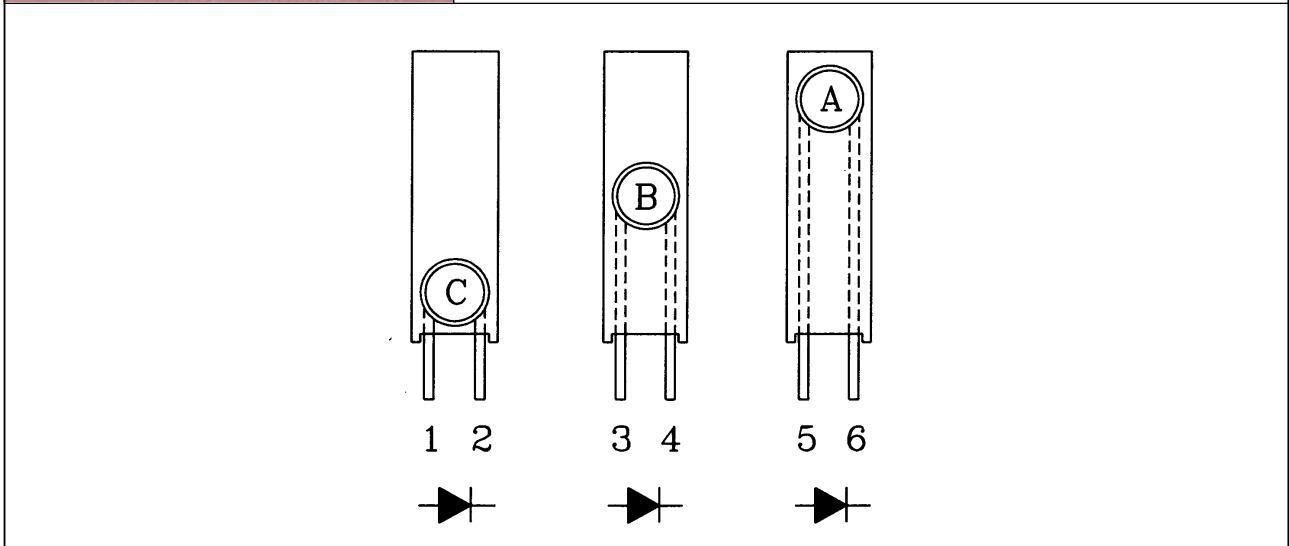
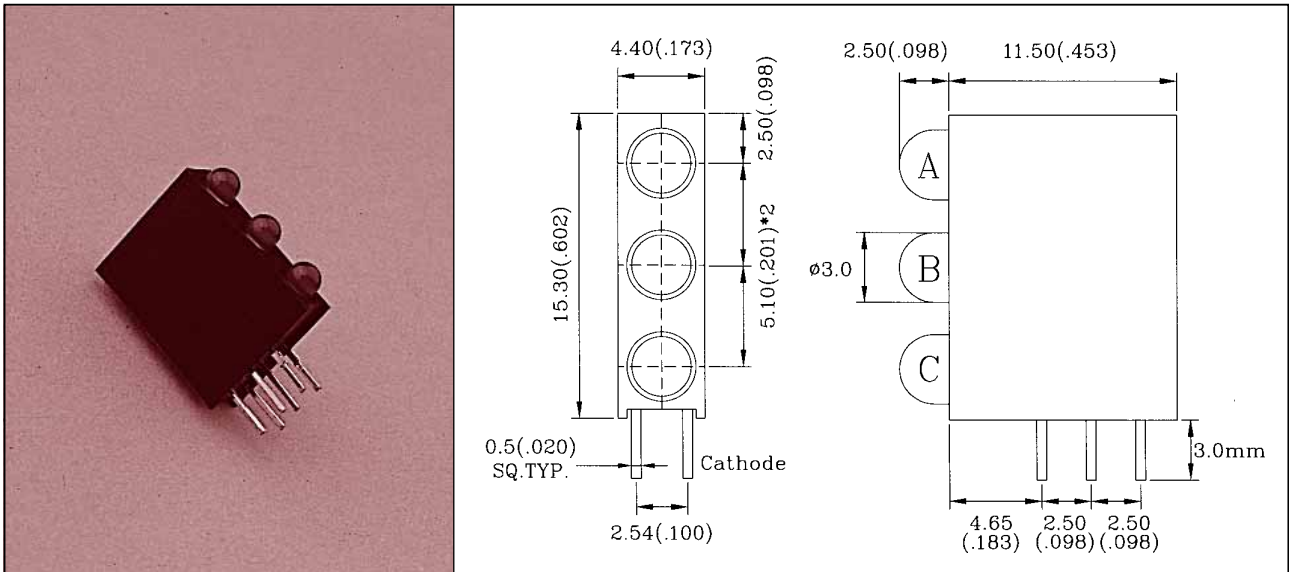
**L-H326XXXX** 3.0mm Dia LED LAMP, WITH H306A HOLDER



Part No.	LED LAMP	Lens Color	Chip Raw Material	Wave Length $\lambda$ p(nm)	Electro-Optical Characteristics			View Angle (deg)
					Vf(V)20mA		Iv(mcd)20mA	
					Typ.	Max.	Typ.	
L-H326005B	A=L-3541GD	Green Diffused	GaP	565	2.2	2.8	18.0	60
	B=L-3541GD	Green Diffused	GaP	565	2.2	2.8	18.0	60
L-H326006B	A=L-3541YD	Yellow Diffused	GaAsP/GaP	585	2.1	2.8	15.0	60
	B=L-3541YD	Yellow Diffused	GaAsP/GaP	585	2.1	2.8	15.0	60
L-H326007B	A=L-3541HD	Red Diffused	GaP	700	2.3	2.8	8.0	60
	B=L-3541HD	Red Diffused	GaP	700	2.3	2.8	8.0	60
L-H326008B	A=L-3541ED	Red Diffused	GaAsP/GaP	635	2.1	2.8	25.0	60
	B=L-3541ED	Red Diffused	GaAsP/GaP	635	2.1	2.8	25.0	60

- 1.All dimension are in millimeters (inches).
- 2.Tolerance is  $\pm 0.25$  mm (0.01") unless otherwise specified.

**L-H331XXXX 3.0mm Dia LED LAMP, WITH LED-H330 HOLDER**

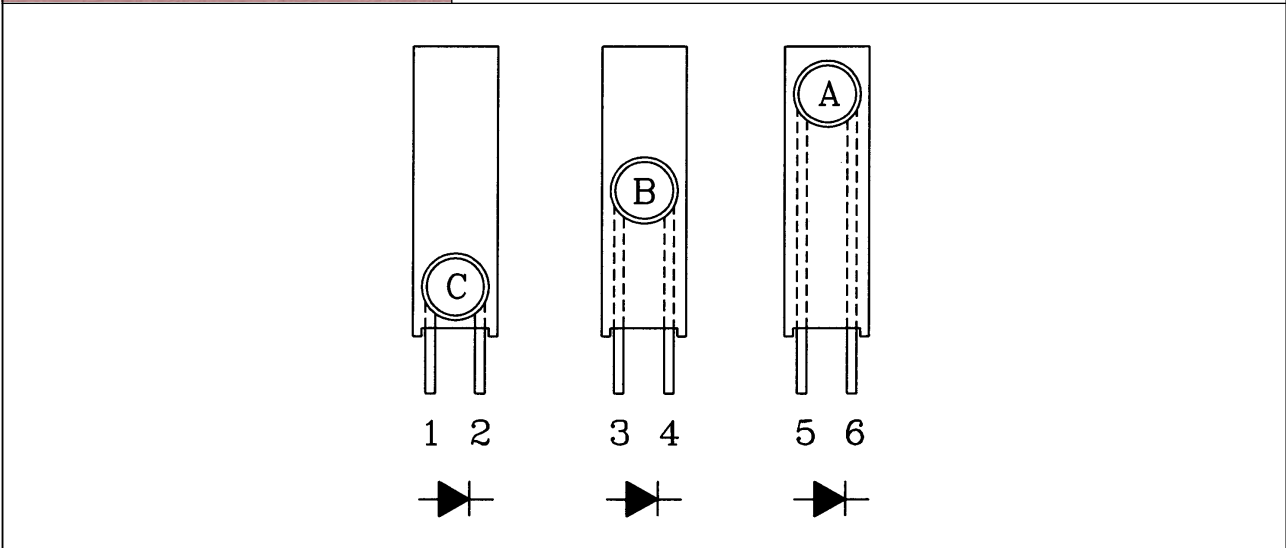
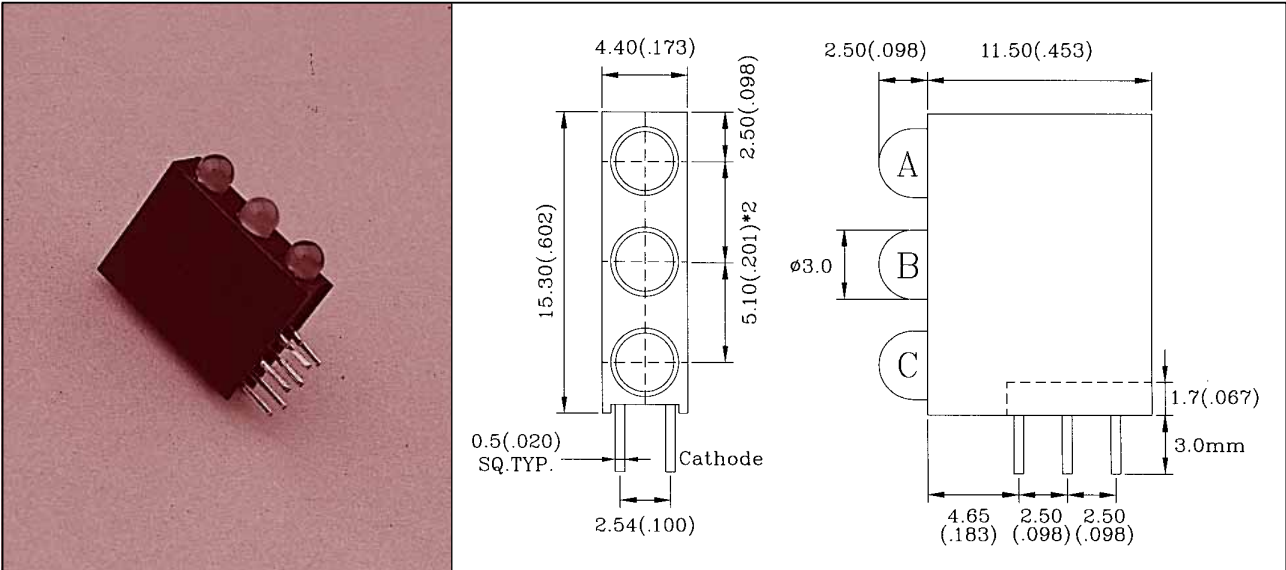


Part No.	LED LAMP	Lens Color	Chip Raw Material	Wave Length $\lambda$ p(nm)	Electro-Optical Characteristics			View Angle (deg)
					Vf(V)20mA		lv(mcd)20mA	
					Typ.	Max.	Typ.	
L-H331005B	A=L-3541GD	Green Diffused	GaP	565	2.2	2.8	18.0	60
	B=L-3541GD	Green Diffused	GaP	565	2.2	2.8	18.0	60
	C=L-3541GD	Green Diffused	GaP	565	2.2	2.8	18.0	60
L-H331006B	A=L-3541YD	Yellow Diffused	GaAsP/GaP	585	2.1	2.8	15.0	60
	B=L-3541YD	Yellow Diffused	GaAsP/GaP	585	2.1	2.8	15.0	60
	C=L-3541YD	Yellow Diffused	GaAsP/GaP	585	2.1	2.8	15.0	60
L-H331007B	A=L-3541HD	Red Diffused	GaP	700	2.3	2.8	8.0	60
	B=L-3541HD	Red Diffused	GaP	700	2.3	2.8	8.0	60
	C=L-3541HD	Red Diffused	GaP	700	2.3	2.8	8.0	60
L-H331008B	A=L-3541ED	Red Diffused	GaAsP/GaP	635	2.1	2.8	25.0	60
	B=L-3541ED	Red Diffused	GaAsP/GaP	635	2.1	2.8	25.0	60
	C=L-3541ED	Red Diffused	GaAsP/GaP	635	2.1	2.8	25.0	60

1.All dimension are in millimeters (inches).

2.Tolerance is  $\pm 0.25$  mm (0.01") unless otherwise specified.

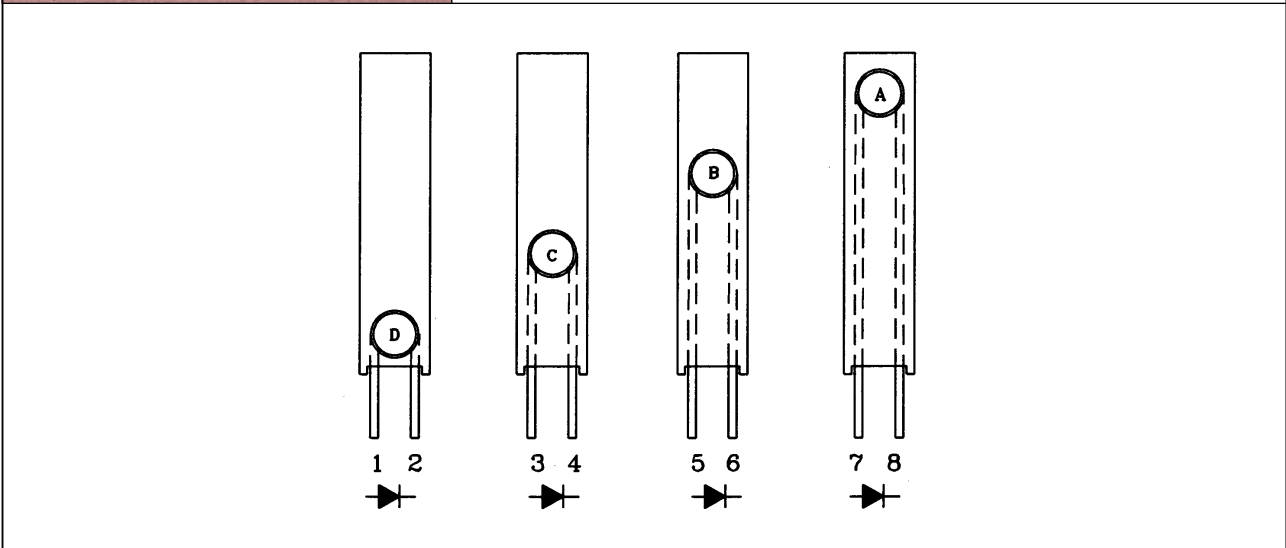
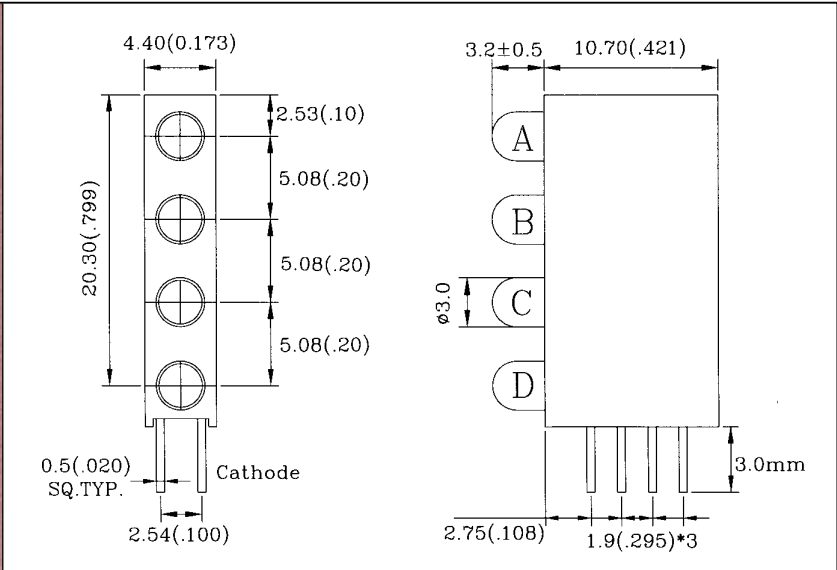
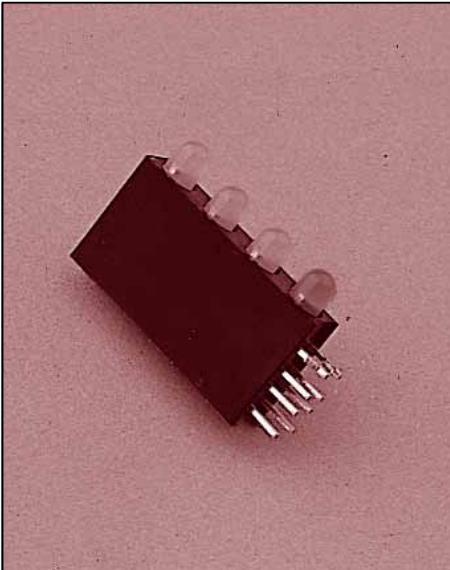
**L-H333XXXX** 3.0mm Dia LED LAMP, WITH HB-2331 ,HC-01 HOLDER



Part No.	LED LAMP	Lens Color	Chip Raw Material	Wave Length $\lambda$ p(nm)	Electro-Optical Characteristics			View Angle (deg)
					Vf(V)20mA		lv(mcd)20mA	
					Typ.	Max.	Typ.	
L-H333005B	A=L-3541GD	Green Diffused	GaP	565	2.2	2.8	18.0	60
	B=L-3541GD	Green Diffused	GaP	565	2.2	2.8	18.0	60
	C=L-3541GD	Green Diffused	GaP	565	2.2	2.8	18.0	60
L-H333006B	A=L-3541YD	Yellow Diffused	GaAsP/GaP	585	2.1	2.8	15.0	60
	B=L-3541YD	Yellow Diffused	GaAsP/GaP	585	2.1	2.8	15.0	60
	C=L-3541YD	Yellow Diffused	GaAsP/GaP	585	2.1	2.8	15.0	60
L-H333007B	A=L-3541HD	Red Diffused	GaP	700	2.3	2.8	8.0	60
	B=L-3541HD	Red Diffused	GaP	700	2.3	2.8	8.0	60
	C=L-3541HD	Red Diffused	GaP	700	2.3	2.8	8.0	60
L-H333008B	A=L-3541ED	Red Diffused	GaAsP/GaP	635	2.1	2.8	25.0	60
	B=L-3541ED	Red Diffused	GaAsP/GaP	635	2.1	2.8	25.0	60
	C=L-3541ED	Red Diffused	GaAsP/GaP	635	2.1	2.8	25.0	60

1.All dimension are in millimeters (inches).  
2.Tolerance is  $\pm 0.25$  mm (0.01") unless otherwise specified.

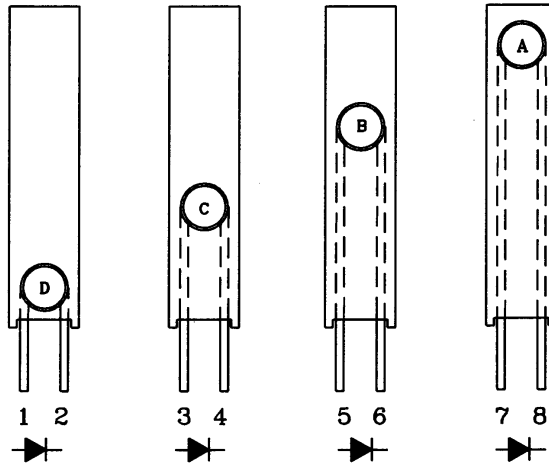
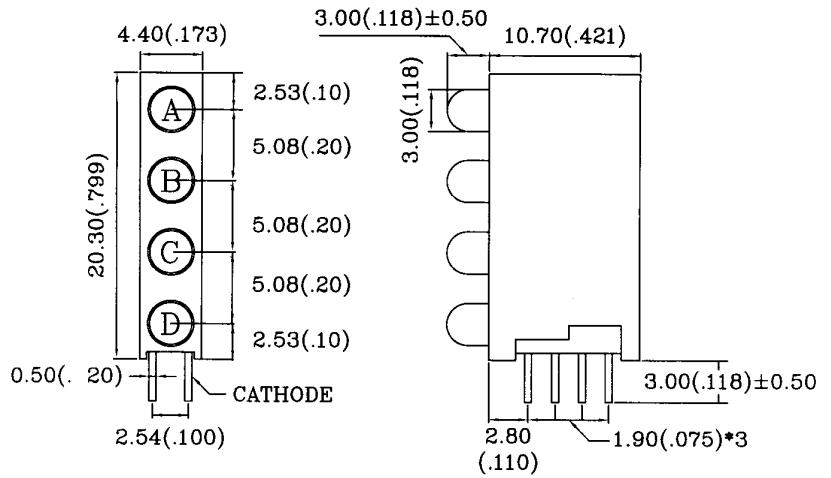
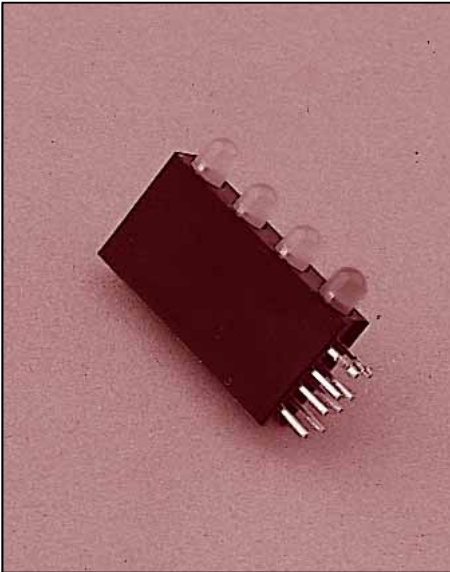
**L-H341XXXX 3.0mm Dia LED LAMP, WITH LED-340 HOLDER**



Part No.	LED LAMP	Lens Color	Chip Raw Material	Wave Length $\lambda$ p(nm)	Electro-Optical Characteristics			View Angle (deg)
					Vf(V)20mA		Iv(mcd)20mA Typ.	
					Typ.	Max.		
L-H341005B	A=L-3541GD	Green Diffused	GaP	565	2.2	2.8	18.0	60
	B=L-3541GD	Green Diffused	GaP	565	2.2	2.8	18.0	60
	C=L-3541GD	Green Diffused	GaP	565	2.2	2.8	18.0	60
	D=L-3541GD	Green Diffused	GaP	565	2.2	2.8	18.0	60
L-H341006B	A=L-3541YD	Yellow Diffused	GaAsP/GaP	585	2.1	2.8	15.0	60
	B=L-3541YD	Yellow Diffused	GaAsP/GaP	585	2.1	2.8	15.0	60
	C=L-3541YD	Yellow Diffused	GaAsP/GaP	585	2.1	2.8	15.0	60
	D=L-3541YD	Yellow Diffused	GaAsP/GaP	585	2.1	2.8	15.0	60
L-H341007B	A=L-3541HD	Red Diffused	GaP	700	2.3	2.8	8.0	60
	B=L-3541HD	Red Diffused	GaP	700	2.3	2.8	8.0	60
	C=L-3541HD	Red Diffused	GaP	700	2.3	2.8	8.0	60
	D=L-3541HD	Red Diffused	GaP	700	2.3	2.8	8.0	60
L-H341008B	A=L-3541ED	Red Diffused	GaAsP/GaP	635	2.1	2.8	25.0	60
	B=L-3541ED	Red Diffused	GaAsP/GaP	635	2.1	2.8	25.0	60
	C=L-3541ED	Red Diffused	GaAsP/GaP	635	2.1	2.8	25.0	60
	D=L-3541ED	Red Diffused	GaAsP/GaP	635	2.1	2.8	25.0	60

1.All dimension are in millimeters (inches).  
2.Tolerance is  $\pm 0.25$  mm (0.01") unless otherwise specified.





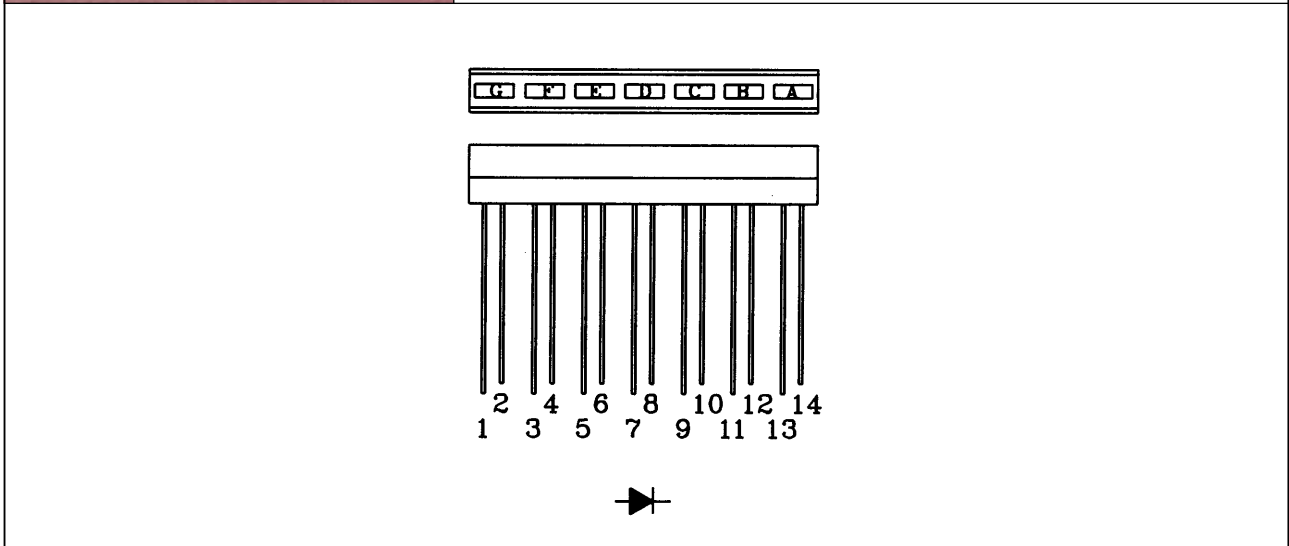
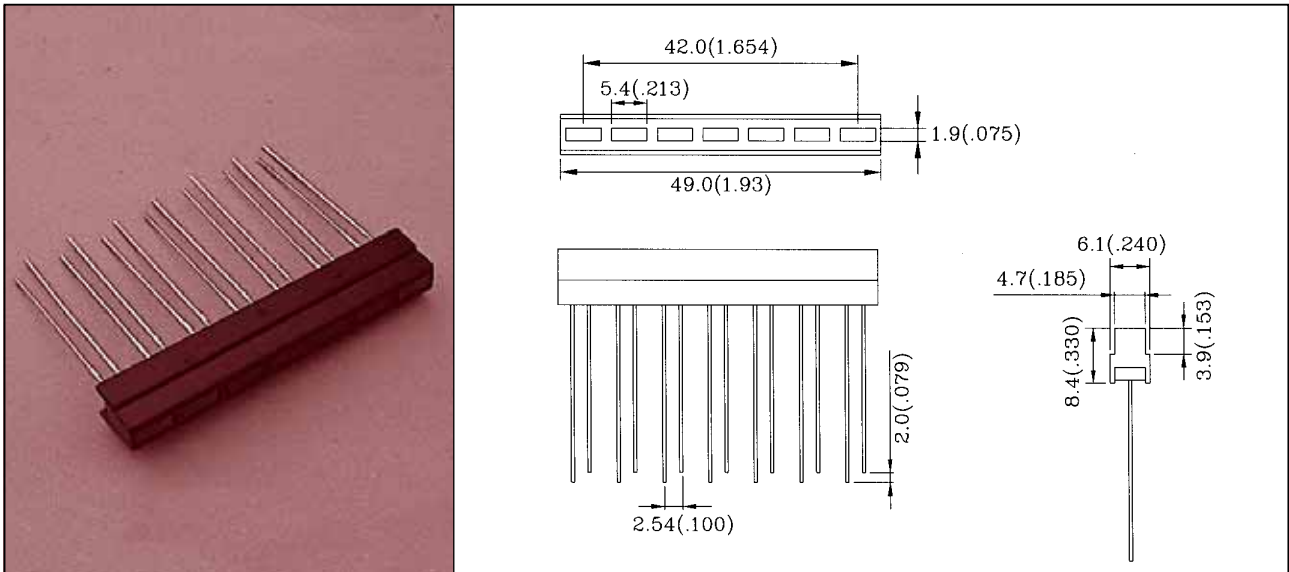
Part No.	LED LAMP	Lens Color	Chip Raw Material	Wave Length $\lambda_p$ (nm)	Electro-Optical Characteristics			View Angle (deg)
					Vf(V)20mA		Iv(mcd)20mA	
					Typ.	Max.	Typ.	
L-H343005B	A=L-3541GD	Green Diffused	GaP	565	2.2	2.8	18.0	60
	B=L-3541GD	Green Diffused	GaP	565	2.2	2.8	18.0	60
	C=L-3541GD	Green Diffused	GaP	565	2.2	2.8	18.0	60
	D=L-3541GD	Green Diffused	GaP	565	2.2	2.8	18.0	60
L-H343006B	A=L-3541YD	Yellow Diffused	GaAsP/GaP	585	2.1	2.8	15.0	60
	B=L-3541YD	Yellow Diffused	GaAsP/GaP	585	2.1	2.8	15.0	60
	C=L-3541YD	Yellow Diffused	GaAsP/GaP	585	2.1	2.8	15.0	60
	D=L-3541YD	Yellow Diffused	GaAsP/GaP	585	2.1	2.8	15.0	60
L-H343007B	A=L-3541HD	Red Diffused	GaP	700	2.3	2.8	8.0	60
	B=L-3541HD	Red Diffused	GaP	700	2.3	2.8	8.0	60
	C=L-3541HD	Red Diffused	GaP	700	2.3	2.8	8.0	60
	D=L-3541HD	Red Diffused	GaP	700	2.3	2.8	8.0	60
L-H343008B	A=L-3541ED	Red Diffused	GaAsP/GaP	635	2.1	2.8	25.0	60
	B=L-3541ED	Red Diffused	GaAsP/GaP	635	2.1	2.8	25.0	60
	C=L-3541ED	Red Diffused	GaAsP/GaP	635	2.1	2.8	25.0	60
	D=L-3541ED	Red Diffused	GaAsP/GaP	635	2.1	2.8	25.0	60

1.All dimension are in millimeters (inches).

2.Tolerance is  $\pm 0.25$  mm (0.01") unless otherwise specified.

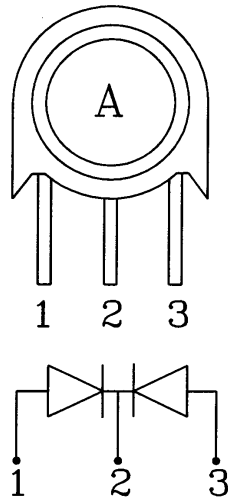
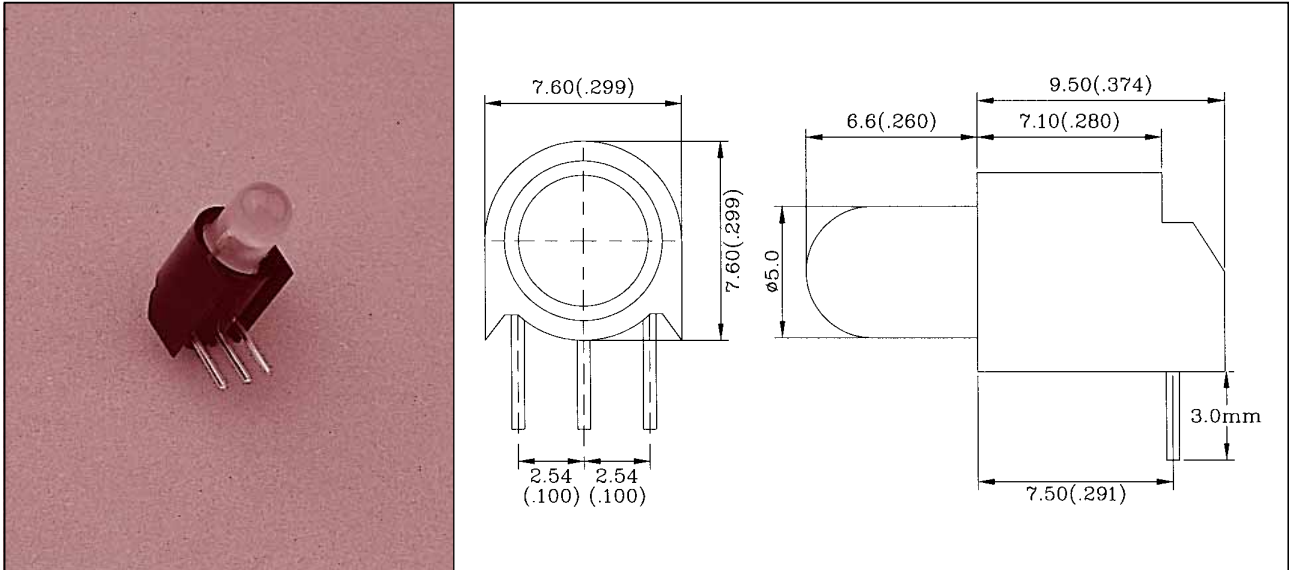


**L-H471XXXX** 4.0mm Dia LED LAMP, WITH H725 HOLDER



Part No.	LED LAMP	Lens Color	Chip Raw Material	Wave Length $\lambda$ p(nm)	Electro-Optical Characteristics			View Angle (deg)
					Vf(V)20mA		Iv(mcd)20mA	
					Typ.	Max.	Typ.	
L-H471005X	A~G=L-493GD	Green Diffused	GaP	565	2.2	2.8	5.0	150
L-H471006X	A~G=L-493YD	Yellow Diffused	GaAsP/GaP	585	2.1	2.8	4.0	150
L-H471007X	A~G=L-493HD	Red Diffused	GaP	700	2.3	2.8	2.5	150
L-H471008X	A~G=L-493ED	Red Diffused	GaAsP/GaP	635	2.1	2.8	7.0	150

- 1.All dimension are in millimeters (inches).
- 2.Tolerance is  $\pm 0.25$  mm (0.01") unless otherwise specified.

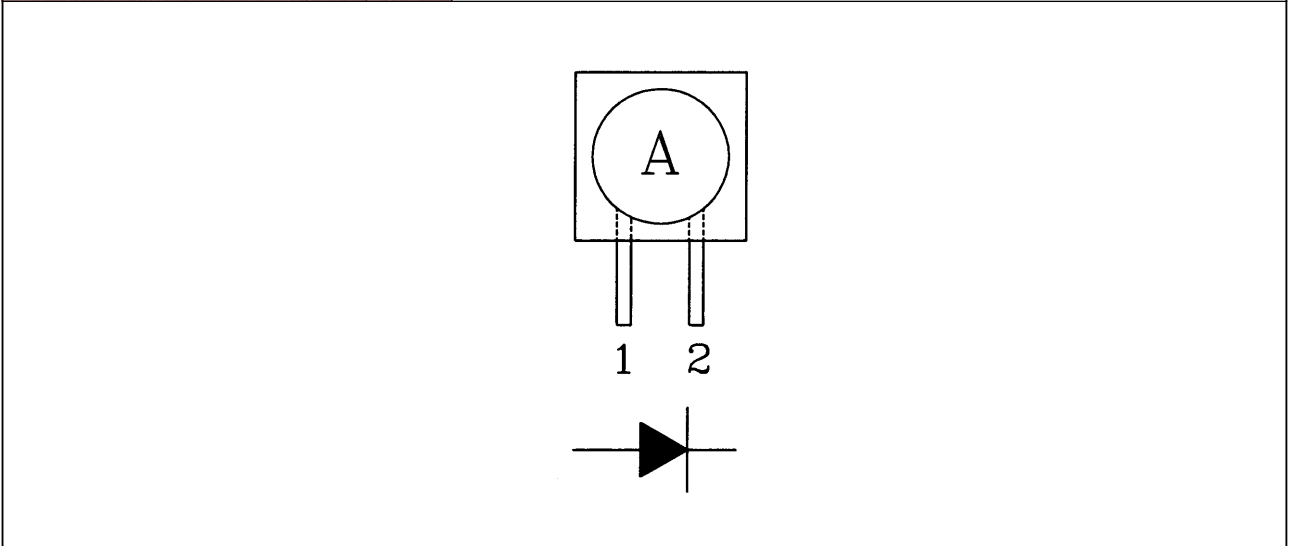
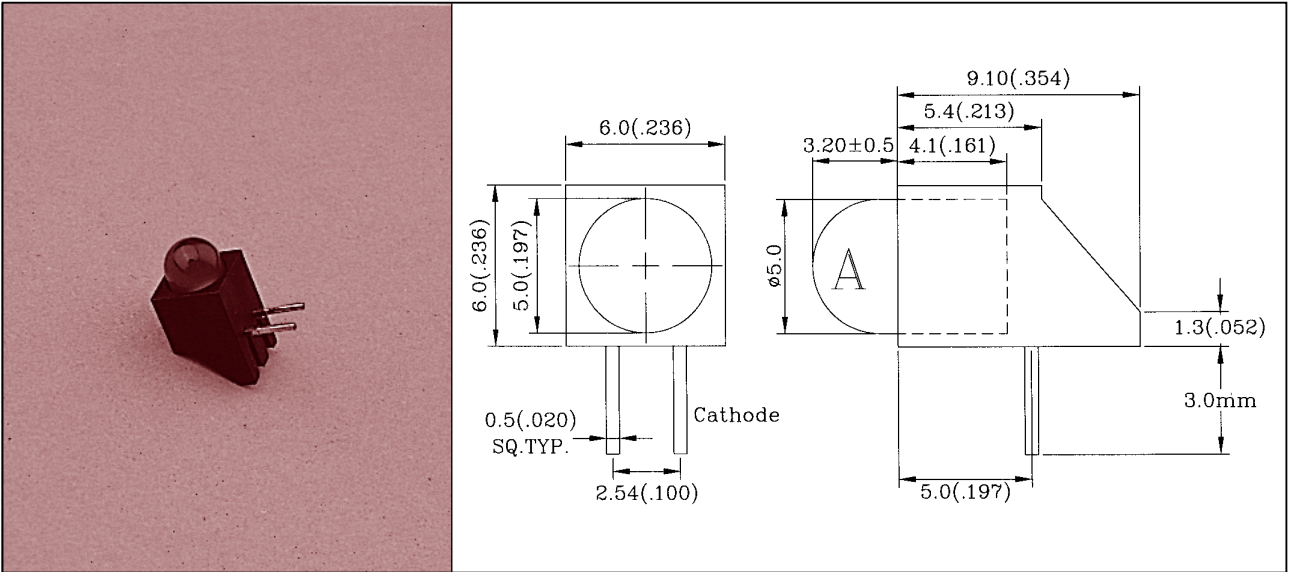


Part No.	LED LAMP	Lens Color	Chip Raw Material	Wave Length $\lambda$ p(nm)	Electro-Optical Characteristics			View Angle (deg)
					Vf(V)20mA		Iv(mcd)20mA	
					Typ.	Max.	Typ.	
L-H511005B	L-519GYW	White Diffused	GaP	565	2.2	2.8	18.0	120
		White Diffused	GaAsP/GaP	585	2.1	2.8	15.0	120
L-H511006B	L-519EGW	White Diffused	GaAsP/GaP	635	2.1	2.8	30.0	120
		White Diffused	GaAsP/GaP	585	2.2	2.8	18.0	120
L-H511007B	L-519SRSGW	White Diffused	GaAlAs	660	1.8	2.2	40.0	120
		White Diffused	GaP	585	2.2	2.8	20.0	120

1.All dimension are in millimeters (inches).

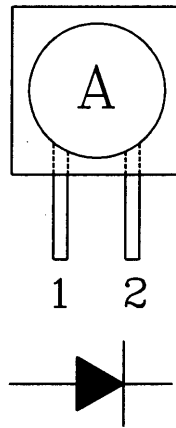
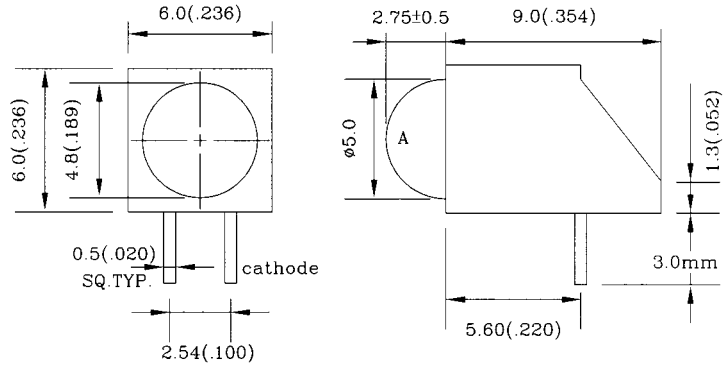
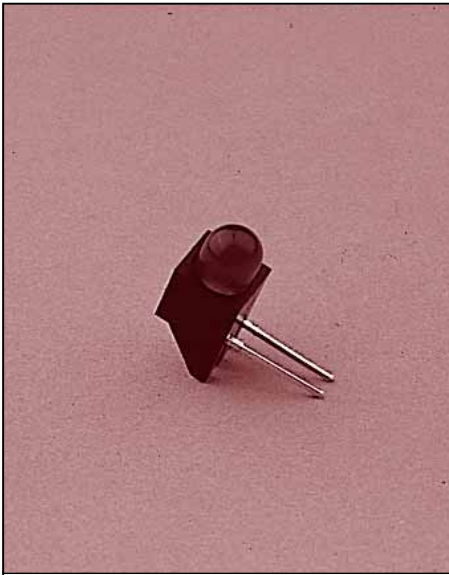
2.Tolerance is  $\pm 0.25$  mm (0.01") unless otherwise specified.

**L-H512XXXX** 5.0mm Dia LED LAMP, WITH H401A HOLDER



Part No.	LED LAMP	Lens Color	Chip Raw Material	Wave Length $\lambda$ p(nm)	Electro-Optical Characteristics			View Angle (deg)
					Vf(V)20mA		Iv(mcd)20mA	
					Typ.	Max.	Typ.	
L-H512005B	A=L-503GD	Green Diffused	GaP	565	2.2	2.8	20.0	110
L-H512006B	A=L-503YD	Yellow Diffused	GaAsP/GaP	585	2.1	2.8	15.0	110
L-H512007B	A=L-503HD	Red Diffused	GaP	700	2.2	2.8	8.0	110
L-H512008B	A=L-503ED	Red Diffused	GaAsP/GaP	635	2.1	2.8	25.0	110

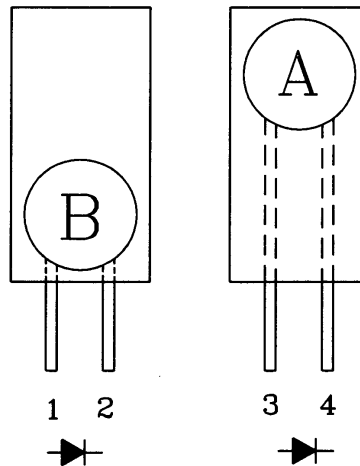
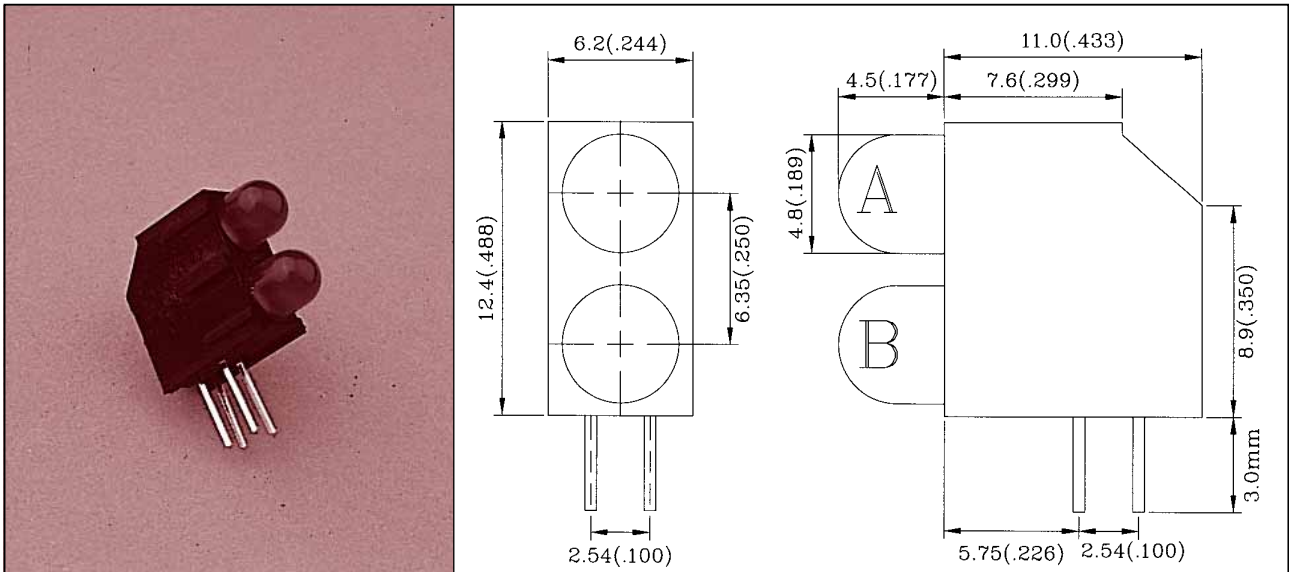
- 1.All dimension are in millimeters (inches).
- 2.Tolerance is  $\pm 0.25$  mm (0.01") unless otherwise specified.



Part No.	LED LAMP	Lens Color	Chip Raw Material	Wave Length $\lambda_p$ (nm)	Electro-Optical Characteristics			View Angle (deg)
					Vf(V)20mA		Iv(mcd)20mA	
					Typ.	Max.	Typ.	
L-H513005B	A=L-523GD	Green Diffused	GaP	565	2.2	2.8	15.0	110
L-H513006B	A=L-523YD	Yellow Diffused	GaAsP/GaP	585	2.1	2.8	14.0	110
L-H513007B	A=L-523HD	Red Diffused	GaP	700	2.3	2.8	8.0	110
L-H513008B	A=L-523ED	Red Diffused	GaAsP/GaP	635	2.1	2.8	25.0	110

1.All dimension are in millimeters (inches).

2.Tolerance is  $\pm 0.25$  mm (0.01") unless otherwise specified.



Part No.	LED LAMP	Lens Color	Chip Raw Material	Wave Length $\lambda$ $\rho$ (nm)	Electro-Optical Characteristics			View Angle (deg)
					Vf(V)20mA		Iv(mcd)20mA	
					Typ.	Max.	Typ.	
L-H523005B	A=L-523GD	Green Diffused	GaP	565	2.2	2.8	15.0	110
	B=L-523GD	Green Diffused	GaP	565	2.2	2.8	15.0	110
L-H523006B	A=L-523YD	Yellow Diffused	GaAsP/GaP	585	2.1	2.8	14.0	110
	B=L-523YD	Yellow Diffused	GaAsP/GaP	585	2.1	2.8	14.0	110
L-H523007B	A=L-523HD	Red Diffused	GaP	700	2.3	2.8	8.0	110
	B=L-523HD	Red Diffused	GaP	700	2.3	2.8	8.0	110
L-H523008B	A=L-523ED	Red Diffused	GaAsP/GaP	635	2.1	2.8	25.0	110
	B=L-523ED	Red Diffused	GaAsP/GaP	635	2.1	2.8	25.0	110

1.All dimension are in millimeters (inches).

2.Tolerance is  $\pm 0.25$  mm (0.01") unless otherwise specified.