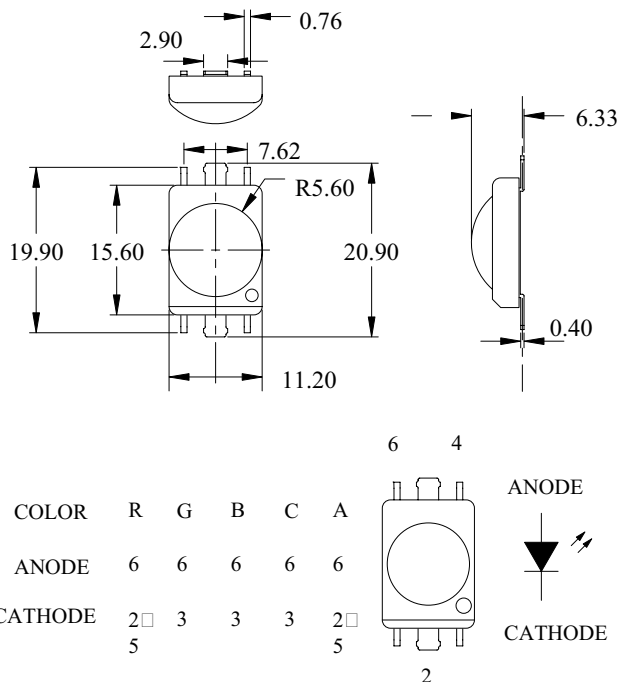
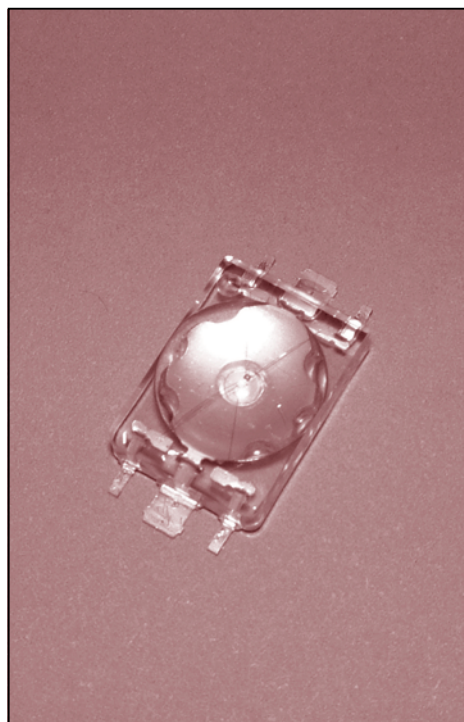




EP204K-150XX Enhanced Power LED



◆ABSOLUTE MAXIMUM RATINGS: (T_J=25°C)

Part No.	P _D (mW)	V _R (V)	Topr	Tstg
EP204K-150XX	380/600	5	-40°C to 100°C	-40°C to 100°C
PARAMETER	Power Dissipation	Reverse Voltage	Operating Temperature Range	Storage Temperature Range

◆ELECTRO-OPTICAL CHARACTERISTICS: (T_J=25°C)

Part No.	V _F (V)			I _R (μA)	λ _D (nm) CCT(K)	Thermal Resistance (°C/w)	2θ 1/2 (deg)	Intensity I _v (cd)		Total Flux (lm)
	MIN.	TYP.	MAX.	MAX.	TYP.	TYP.	TYP.	MIN.	TYP.	TYP.
EP204K-150R1	2.0	2.2	2.5	10	620	85	100	1.3	3.0	3.0
EP204K-150A1	2.0	2.2	2.5	10	590	85	100	1.3	3.0	5.0
EP204K-150B1	3.0	3.4	4.0	10	470	65	100	1.3	3.0	1.5
EP204K-150C1	3.0	3.4	4.0	10	505	65	100	2.6	5.0	1.5
EP204K-150G1	3.0	3.4	4.0	10	525	65	100	4.7	8.0	3.5
EP204K-150BW1	3.0	3.4	4.0	10	7000°K (x=0.31/y=0.31)	65	100	1.3	3.0	3.0
TEST CONDITION	I _F =150 mA			V _R =5 V	I _F =150 mA	R _{θJ-PCB-AIR}	I _F =150 mA	I _F =150 mA	I _F =150 mA	I _F =150 mA

- All dimensions are in millimeters.
- Tolerance is ± 0.25 mm unless otherwise specified.
- LED Operating required anti-electrostatic devices in all equipment, machinery, and manual assembly.
- 600 mW: 6 pins of E-Power LED required soldering on PCB. (PCB: 25.4 mm*25.4 mm 1.6 t / two layers / 2.0 oz)
- Convective IR reflow soldering.