

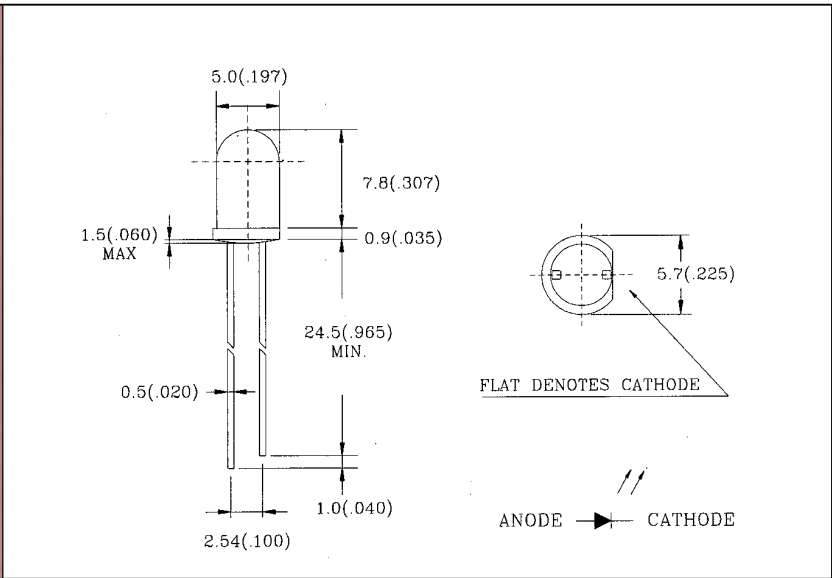
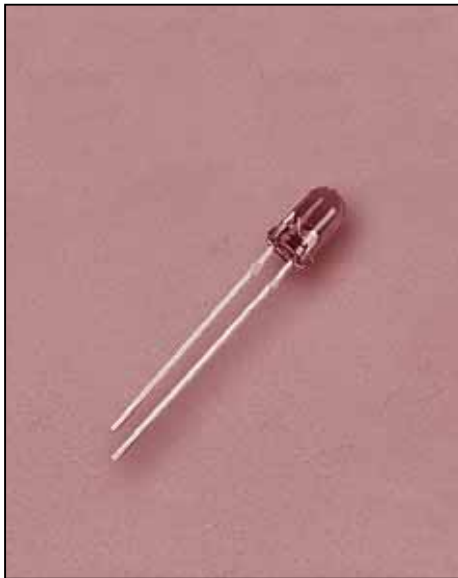
◆ABSOLUTE MAXIMUM RATING:(Ta=25°C)

Part No.	P <sub>D</sub> (mw)	V <sub>R</sub> (V)	T <sub>opr</sub>	T <sub>stg</sub>
L-51XXIR1C	100	5	-35°C to 85°C	-35°C to 85°C
<b>PARAMETER</b>	<b>Power Dissipation</b>	<b>Reverse Voltage</b>	<b>Operating Temperature Range</b>	<b>Storage Temperature Range</b>
<b>Lead Soldering Temperature {1.6mm(0.063 inch)From Body}250°C ±5°C For 3 Seconds</b>				

◆ELECTRO-OPTICAL CHARACTERISTICS:(Ta=25°C)

Part No.	V <sub>F</sub> (V)			I <sub>R</sub> (μA)			λ <sub>p</sub> (nm)			2 θ <sub>1/2</sub> (dgc)			I <sub>e</sub> (mw/sr)		
	MIN	TYP	MAX	MIN	TYP	MAX	MIN	TYP	MAX	MIN	TYP	MAX	MIN	TYP	MAX
L-514EIR1C		1.2 1.4	1.6			10		940			20		17	30	
L-515EIR1C		1.2 1.4	1.6			10		940			25		14	25	
L-516EIR1C		1.2 1.4	1.6			10		940			30		12	23	
L-517EIR1C		1.2 1.4	1.6			10		940			35		10	20	
L-518EIR1C		1.2 1.4	1.6			10		940			40		8	18	
L-51AEIR1C		1.2 1.4	1.6			10		940			50		6	12	
L-514CIR1C		1.3 1.6	1.8			10		940			20		13	25	
<b>TEST CONDITION</b>	I <sub>F</sub> =20mA I <sub>F</sub> =100mA			V <sub>R</sub> =5V			I <sub>F</sub> =20mA			I <sub>F</sub> =20mA			I <sub>F</sub> =20mA		

- 1.All dimension are in millimeters (inches).
- 2.Tolerance is ± 0.25 mm (0.01") unless otherwise specified.



◆**ABSOLUTE MAXIMUM RATING:(Ta=25°C)**

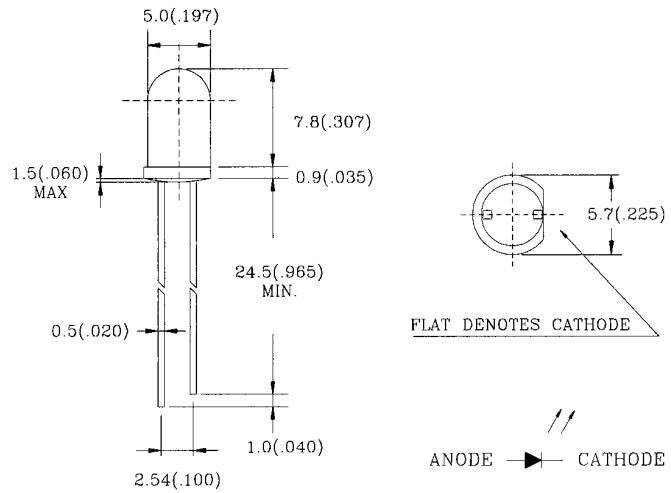
Part No.	P <sub>D</sub> (mw)	V <sub>R</sub> (V)	Topr	Tstg
L-51XXIR1BC	100	5	-35°C to 85°C	-35°C to 85°C
<b>PARAMETER</b>	<b>Power Dissipation</b>	<b>Reverse Voltage</b>	<b>Operating Temperature Range</b>	<b>Storage Temperature Range</b>
<b>Lead Soldering Temperature {1.6mm(0.063 inch)From Body}250°C ±5°C For 3 Seconds</b>				

◆**ELECTRO-OPTICAL CHARACTERISTICS:(Ta=25°C)**

Part No.	V <sub>F</sub> (V)			I <sub>R</sub> (μA)			λ <sub>p</sub> (nm)			2 θ <sub>1/2</sub> (dgc)			I <sub>e</sub> (mw/sr)		
	MIN	TYP	MAX	MIN	TYP	MAX	MIN	TYP	MAX	MIN	TYP	MAX	MIN	TYP	MAX
L-514EIR1BC		1.2 1.4	16			10		940			20		17	30	
L-515EIR1BC		1.2 1.4	1.6			10		940			25		14	25	
L-516EIR1BC		1.2 1.4	1.6			10		940			30		12	23	
L-517EIR1BC		1.2 1.4	1.6			10		940			35		10	20	
L-518EIR1BC		1.2 1.4	1.6			10		940			40		8	18	
L-51AEIR1BC		1.2 1.4	1.6			10		940			50		6	12	
L-514CIR1BC		1.3 1.6	1.8			10		940			20		13	25	
<b>TEST CONDITION</b>	I <sub>F</sub> =20mA I <sub>F</sub> =100mA			V <sub>R</sub> =5V			I <sub>F</sub> =20mA			I <sub>F</sub> =20mA			I <sub>F</sub> =20mA		

BC=BLUE CLEAR

- 1.All dimension are in millimeters (inches).
- 2.Tolerance is ± 0.25 mm (0.01") unless otherwise specified.



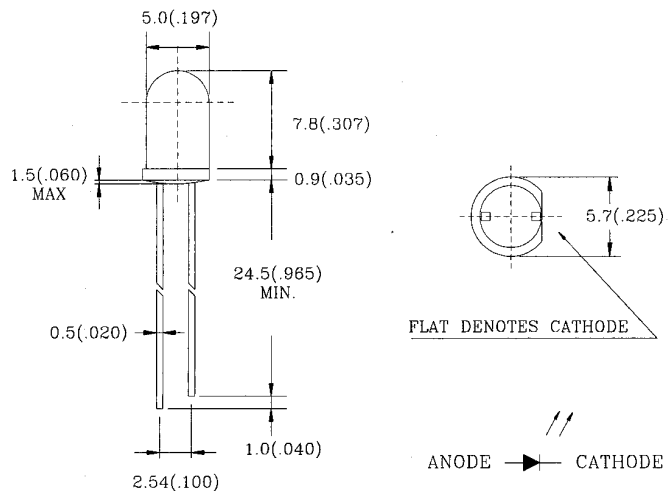
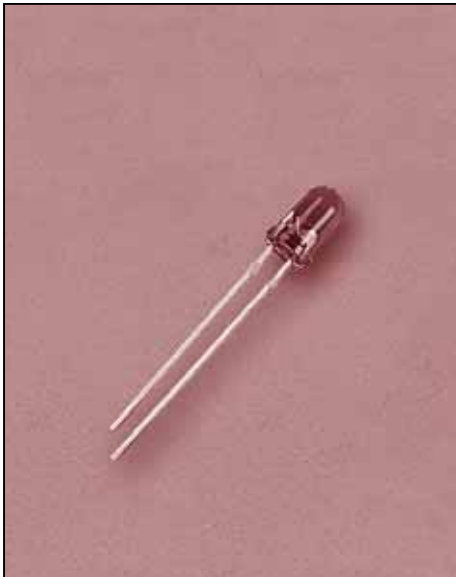
◆ABSOLUTE MAXIMUM RATING:(Ta=25°C)

Part No.	P <sub>D</sub> (mw)	V <sub>(BR)R</sub> (V)	Topr	Tstg
L-51XEIR2C	100	5	-35°C to 85°C	-35°C to 85°C
<b>PARAMETER</b>	<b>Power Dissipation</b>	<b>Reverse Voltage</b>	<b>Operating Temperature Range</b>	<b>Storage Temperature Range</b>
<b>Lead Soldering Temperature {1.6mm(0.063 inch)From Body}250°C ±5°C For 3 Seconds</b>				

◆ELECTRO-OPTICAL CHARACTERISTICS:(Ta=25°C)

Part No.	V <sub>F</sub> (V)			I <sub>R</sub> (μA)			λ <sub>p</sub> (nm)			2θ1/2 (dgc)			I <sub>e</sub> (mw/sr)		
	MIN	TYP	MAX	MIN	TYP	MAX	MIN	TYP	MAX	MIN	TYP	MAX	MIN	TYP	MAX
L-514EIR2C		1.4 1.6	1.8			10		880			20		17	30	
L-515EIR2C		1.4 1.6	1.8			10		880			25		14	25	
L-516EIR2C		1.4 1.6	1.8			10		880			30		12	23	
L-517EIR2C		1.4 1.6	1.8			10		880			35		10	20	
L-518EIR2C		1.4 1.6	1.8			10		880			40		8	18	
L-51AEIR2C		1.4 1.6	1.8			10		880			50		6	12	
<b>TEST CONDITION</b>	I <sub>F</sub> =20mA I <sub>F</sub> =100mA			V <sub>R</sub> =5V			I <sub>F</sub> =20mA			I <sub>F</sub> =20mA			I <sub>F</sub> =20mA		

- 1.All dimension are in millimeters(inches).
- 2.Tolerance is ±0.25mm(0.01")unless otherwise specified.



◆ABSOLUTE MAXIMUM RATING:(Ta=25°C)

Part No.	P <sub>D</sub> (mw)	V <sub>(BR)R</sub> (V)	T <sub>opr</sub>	T <sub>stg</sub>
L-51XEIR2XX	100	5	-35°C to 85°C	-35°C to 85°C
<b>PARAMETER</b>	<b>Power Dissipation</b>	<b>Reverse Voltage</b>	<b>Operating Temperature Range</b>	<b>Storage Temperature Range</b>
<b>Lead Soldering Temperature {1.6mm(0.063 inch)From Body}250°C ±5°C For 3 Seconds</b>				

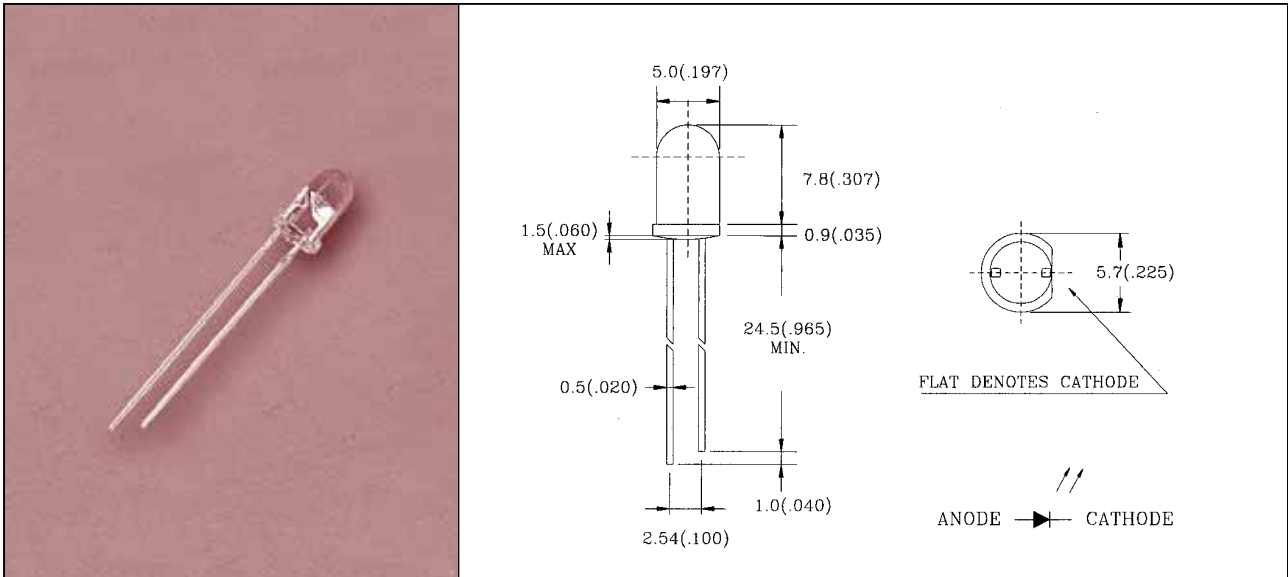
◆ELECTRO-OPTICAL CHARACTERISTICS:(Ta=25°C)

Part No.	V <sub>F</sub> (V)			I <sub>R</sub> (μA)			λ <sub>p</sub> (nm)			2θ <sub>1/2</sub> (dgc)			I <sub>e</sub> (mw/sr)		
	MIN	TYP	MAX	MIN	TYP	MAX	MIN	TYP	MAX	MIN	TYP	MAX	MIN	TYP	MAX
L-514EIR2BC		1.4 1.6	1.8			10		880			20		17	30	
L-516EIR2BC		1.4 1.6	1.8			10		880			30		12	23	
L-518EIR2BC		1.4 1.6	1.8			10		880			40		8	18	
L-516EIR2D2		1.4 1.6	1.8			10		880			30		10	20	
L-516EIR2D2-S		1.4 1.6	1.8			10		880			30		10	20	
<b>TEST CONDITION</b>	I <sub>F</sub> =20mA I <sub>F</sub> =100mA			V <sub>R</sub> =5V			I <sub>F</sub> =20mA			I <sub>F</sub> =20mA			I <sub>F</sub> =20mA		

BC=BLUE CLEAR

1.All dimension are in millimeters(inches).

2.Tolerance is ±0.25mm(0.01")unless otherwise specified.



◆ABSOLUTE MAXIMUM RATING:(Ta=25°C)

Part No.	P <sub>D</sub> (mw)	V <sub>(BR)R</sub> (V)	Topr	Tstg
L-51XEIR3XX	100	5	-35°C to 85°C	-35°C to 85°C
<b>PARAMETER</b>	<b>Power Dissipation</b>	<b>Reverse Voltage</b>	<b>Operating Temperature Range</b>	<b>Storage Temperature Range</b>
<b>Lead Soldering Temperature {1.6mm(0.063 inch)From Body}250°C ±5°C For 3 Seconds</b>				

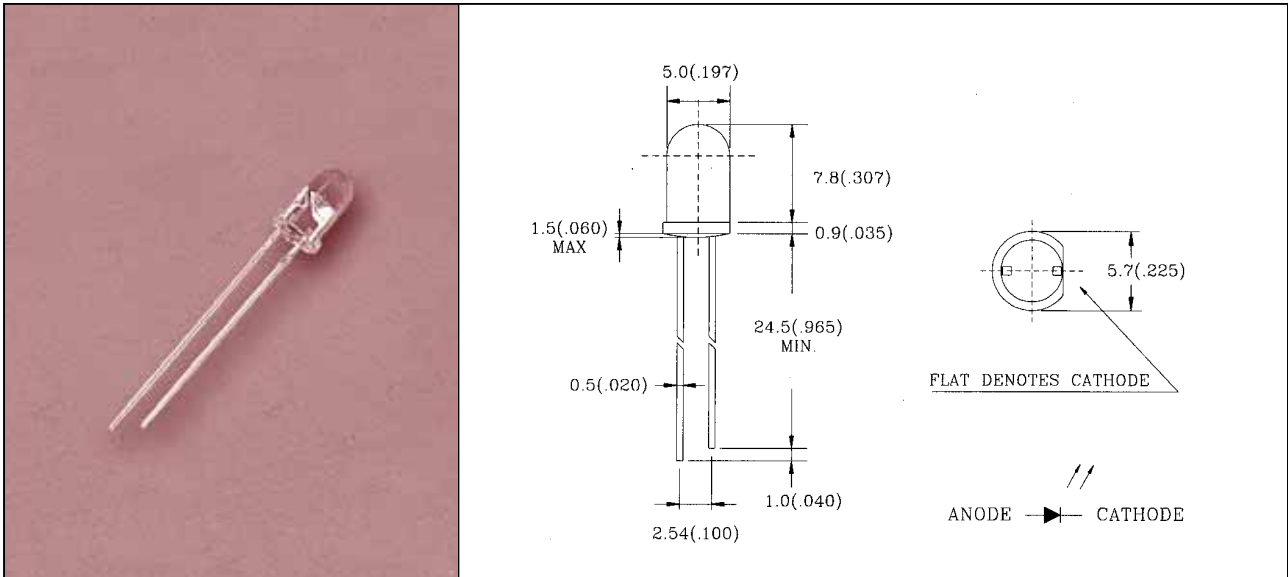
◆ELECTRO-OPTICAL CHARACTERISTICS:(Ta=25°C)

Part No.	V <sub>F</sub> (V)			I <sub>R</sub> (μA)			λ <sub>p</sub> (nm)			2θ <sub>1/2</sub> (dgc)			I <sub>e</sub> (mw/sr)		
	MIN	TYP	MAX	MIN	TYP	MAX	MIN	TYP	MAX	MIN	TYP	MAX	MIN	TYP	MAX
L-514EIR3C		1.55	1.8			10		865			20		30	60	
L-515EIR3C		1.55	1.8			10		865			25		28	55	
L-516EIR3C		1.55	1.8			10		865			30		26	50	
L-517EIR3C		1.55	1.8			10		865			35		24	45	
L-518EIR3C		1.55	1.8			10		865			40		22	40	
L-51AEIR3C		1.55	1.8			10		865			50		20	35	
L-516EIR3D2		1.55	1.8			10		865			30		22	40	
<b>TEST CONDITION</b>	I <sub>F</sub> =50mA I <sub>F</sub> =100mA			V <sub>R</sub> =5V			I <sub>F</sub> =20mA			I <sub>F</sub> =20mA			I <sub>F</sub> =20mA		

BC=BLUE CLEAR D1,D2=BLACK

1.All dimension are in millimeters(inches).

2.Tolerance is ±0.25mm(0.01")unless otherwise specified.



◆ABSOLUTE MAXIMUM RATING:(Ta=25°C)

Part No.	P <sub>D</sub> (mw)	V <sub>(BR)R</sub> (V)	T <sub>opr</sub>	T <sub>stg</sub>
L-51XEIR4C	100	5	-35°C to 85°C	-35°C to 85°C
<b>PARAMETER</b>	<b>Power Dissipation</b>	<b>Reverse Voltage</b>	<b>Operating Temperature Range</b>	<b>Storage Temperature Range</b>
<b>Lead Soldering Temperature {1.6mm(0.063 inch)From Body}250°C ±5°C For 3 Seconds</b>				

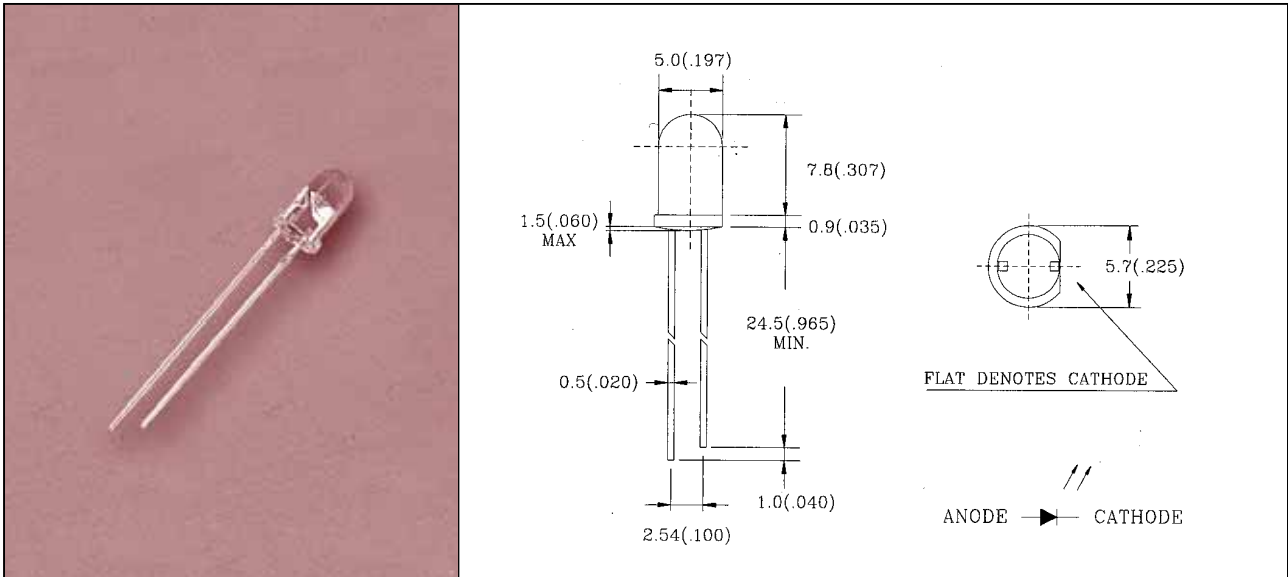
◆ELECTRO-OPTICAL CHARACTERISTICS:(Ta=25°C)

Part No.	V <sub>F</sub> (V)			I <sub>R</sub> (μA)			λ <sub>p</sub> (nm)			2 θ <sub>1/2</sub> (dgc)			I <sub>e</sub> (mw/sr)		
	MIN	TYP	MAX	MIN	TYP	MAX	MIN	TYP	MAX	MIN	TYP	MAX	MIN	TYP	MAX
L-514EIR4C		1.6	1.9			10		850			20		30	60	
L-515EIR4C		1.6	1.9			10		850			25		28	55	
L-516EIR4C		1.6	1.9			10		850			30		26	50	
L-517EIR4C		1.6	1.9			10		850			35		24	45	
L-518EIR4C		1.6	1.9			10		850			40		22	40	
L-51AEIR4C		1.6	1.9			10		850			50		20	35	
<b>TEST CONDITION</b>	I <sub>F</sub> =50mA I <sub>F</sub> =100mA			V <sub>R</sub> =5V			I <sub>F</sub> =20mA			I <sub>F</sub> =20mA			I <sub>F</sub> =20mA		

BC=BLUE CLEAR D1,D2=BLACK

1.All dimension are in millimeters(inches).

2.Tolerance is ±0.25mm(0.01")unless otherwise specified.



◆ABSOLUTE MAXIMUM RATING:(Ta=25°C)

Part No.	P <sub>D</sub> (mw)	V <sub>(BR)R</sub> (V)	Topr	Tstg
L-52XEIRXX	100	5	-35°C to 85°C	-35°C to 85°C
<b>PARAMETER</b>	<b>Power Dissipation</b>	<b>Reverse Voltage</b>	<b>Operating Temperature Range</b>	<b>Storage Temperature Range</b>
<b>Lead Soldering Temperature {1.6mm(0.063 inch)From Body}250°C ±5°C For 3 Seconds</b>				

◆ELECTRO-OPTICAL CHARACTERISTICS:(Ta=25°C)

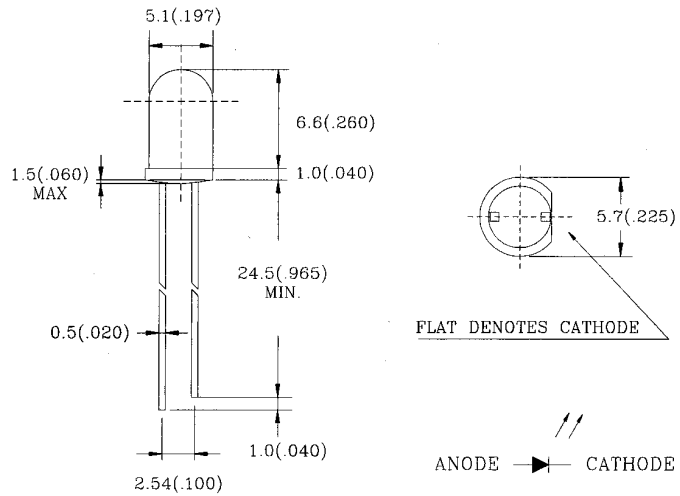
Part No.	V <sub>F</sub> (V)			I <sub>R</sub> (μA)			λ <sub>p</sub> (nm)			2 θ <sub>1/2</sub> (dgg)			I <sub>e</sub> (mw/sr)		
	MIN	TYP	MAX	MIN	TYP	MAX	MIN	TYP	MAX	MIN	TYP	MAX	MIN	TYP	MAX
L-522EIR1C		1.2 1.4	1.6			10		940			10		14	25	
L-522EIR1BC		1.2 1.4	1.6			10		940			10		14	25	
L-522EIR4C		1.6	1.9			10		850			10		28	55	
L-522EIR4D2		1.6	1.9			10		850			10		26	50	
<b>TEST CONDITION</b>	I <sub>F</sub> =20mA I <sub>F</sub> =100mA			V <sub>R</sub> =5V			I <sub>F</sub> =20mA			I <sub>F</sub> =20mA			I <sub>F</sub> =20mA		

BC=BLUE CLEAR D1,D2=BLACK

1.All dimension are in millimeters(inches).

2.Tolerance is ±0.25mm(0.01")unless otherwise specified.

**L-53AEIRXX 5.0mm INFRARED EMITTING DIODE**



◆ABSOLUTE MAXIMUM RATING:(Ta=25°C)

Part No.	P <sub>D</sub> (mw)	V <sub>(BR)R</sub> (V)	Topr	Tstg
L-53AEIRXX	100	5	-35°C to 85°C	-35°C to 85°C
<b>PARAMETER</b>	<b>Power Dissipation</b>	<b>Reverse Voltage</b>	<b>Operating Temperature Range</b>	<b>Storage Temperature Range</b>
<b>Lead Soldering Temperature {1.6mm(0.063 inch)From Body}250°C ±5°C For 3 Seconds</b>				

◆ELECTRO-OPTICAL CHARACTERISTICS:(Ta=25°C)

Part No.	V <sub>F</sub> (V)			I <sub>R</sub> (μA)			λ <sub>p</sub> (nm)			2θ1/2 (dgc)			I <sub>e</sub> (mw/sr)		
	MIN	TYP	MAX	MIN	TYP	MAX	MIN	TYP	MAX	MIN	TYP	MAX	MIN	TYP	MAX
L-53AEIR1C		1.2 1.4	1.6			10		940			50		7	14	
L-53AEIR1BC		1.2 1.4	1.6			10		940			50		7	14	
L-53AEIR2C		1.4 1.6	1.8			10		880			50		7	14	
L-53AEIR2BC		1.4 1.6	1.8			10		880			50		7	14	
<b>TEST CONDITION</b>	I <sub>F</sub> =20mA I <sub>F</sub> =100mA			V <sub>R</sub> =5V			I <sub>F</sub> =20mA			I <sub>F</sub> =20mA			I <sub>F</sub> =20mA		

BC=BLUE CLEAR

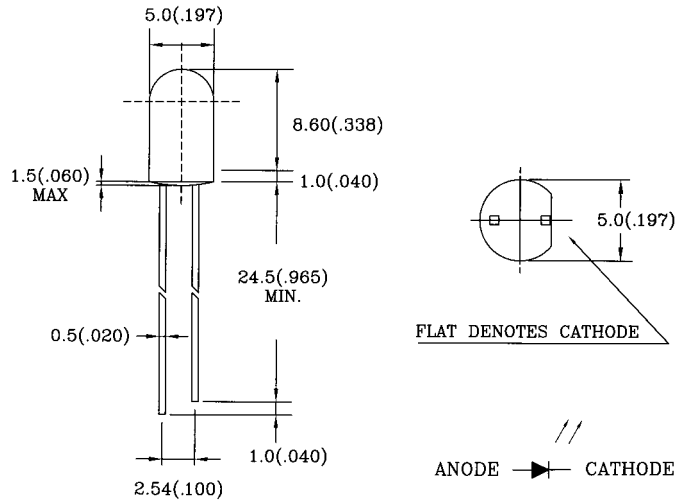
1.All dimension are in millimeters(inches).

2.Tolerance is ±0.25mm(0.01")unless otherwise specified.





◆ PACKAGE DIMENSIONS



◆ ABSOLUTE MAXIMUM RATING: (Ta=25°C)

Part No.	P <sub>D</sub> (mw)	V <sub>(BR)R</sub> (V)	T <sub>opr</sub>	T <sub>stg</sub>
L-55XEIRXX	100	5	-35°C to 85°C	-35°C to 85°C
<b>PARAMETER</b>	<b>Power Dissipation</b>	<b>Reverse Voltage</b>	<b>Operating Temperature Range</b>	<b>Storage Temperature Range</b>
<b>Lead Soldering Temperature {1.6mm(0.063 inch) From Body} 250°C ±5°C For 3 Seconds</b>				

◆ ELECTRO-OPTICAL CHARACTERISTICS: (Ta=25°C)

Part No.	V <sub>F</sub> (V)			I <sub>R</sub> (μA)			λ <sub>p</sub> (nm)			2θ <sub>1/2</sub> (dgs)			I <sub>e</sub> (mw/sr)		
	MIN	TYP	MAX	MIN	TYP	MAX	MIN	TYP	MAX	MIN	TYP	MAX	MIN	TYP	MAX
L-55REIR1C	-	1.2	1.6	-	-	10	-	940	-	-	-	-	3	6	-
<b>TEST CONDITION</b>	I <sub>F</sub> =20mA I <sub>F</sub> =100mA			V <sub>R</sub> =5V			I <sub>F</sub> =20mA			I <sub>F</sub> =20mA			I <sub>F</sub> =20mA		

1. All dimension are in millimeters(inches).
2. Tolerance is ±0.25mm(0.01") unless otherwise specified.