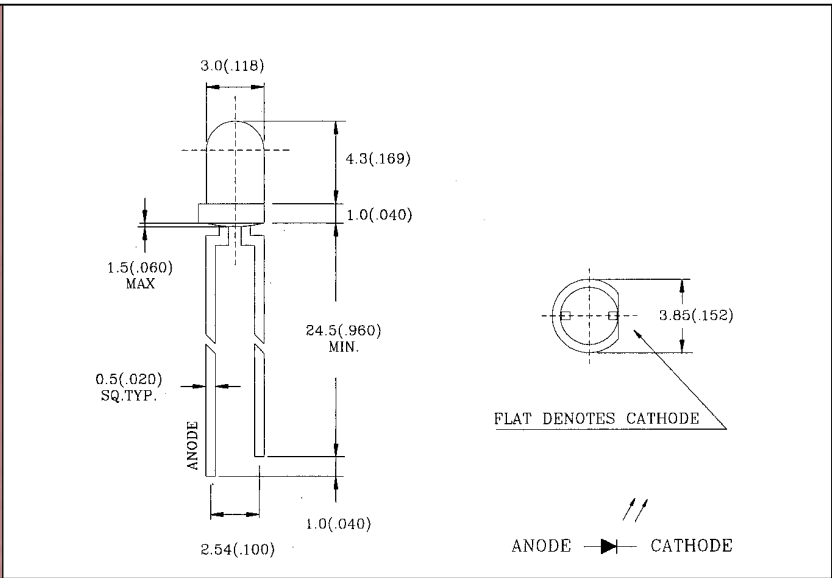


L-31XXIR1XX 3.0mm INFRARED EMITTING DIODE



◆ABSOLUTE MAXIMUM RATING:(Ta=25°C)

Part No.	P _D (mw)	V _R (V)	T _{opr}	T _{stg}
L-31XXIR1XX	100	5	-35°C to 85°C	-35°C to 85°C
PARAMETER	Power Dissipation	Reverse Voltage	Operating Temperature Range	Storage Temperature Range
Lead Soldering Temperature {1.6mm(0.063 inch)From Body}250°C ±5°C For 3 Seconds				

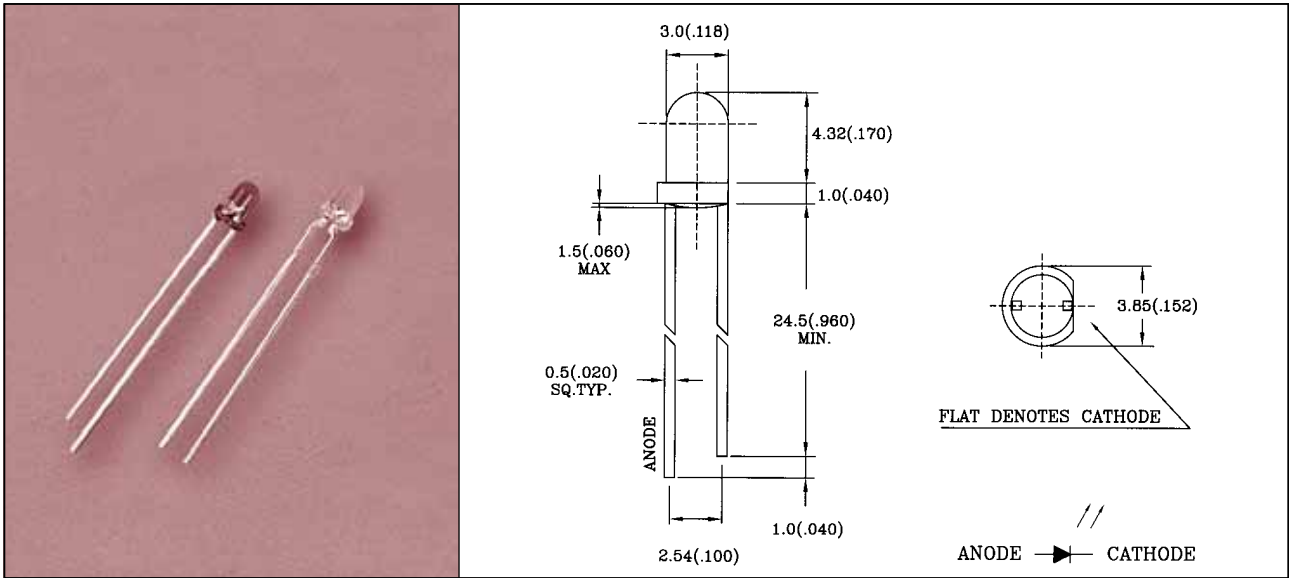
◆ELECTRO-OPTICAL CHARACTERISTICS:(Ta=25°C)

Part No.	V _F (V)			I _R (μA)			λ _p (nm)			2 θ _{1/2} (dgs)			I _e (mw/sr)		
	MIN	TYP	MAX	MIN	TYP	MAX	MIN	TYP	MAX	MIN	TYP	MAX	MIN	TYP	MAX
L-314EIR1C		1.2 1.4	1.6			10		940			20		7	14	
L-315EIR1C		1.2 1.4	1.6			10		940			25		6	12	
L-316EIR1C		1.2 1.4	1.6			10		940			30		6	12	
L-314EIR1BC		1.2 1.4	1.6			10		940			20		5	10	
L-315EIR1BC		1.2 1.4	1.6			10		940			25		6	12	
L-316EIR1BC		1.2 1.4	1.6			10		940			30		6	12	
L-318EIR1BC		1.2 1.4	1.6			10		940			40		6	10	
TEST CONDITION	I _F =20mA I _F =100mA			V _R =5V			I _F =20mA			I _F =20mA			I _F =20mA		

BC=BLUE CLEAR

- 1.All dimension are in millimeters (inches).
- 2.Tolerance is ± 0.25 mm (0.01") unless otherwise specified.

L-32XXIRXX 3.0mm INFRARED EMITTING DIODE



◆ABSOLUTE MAXIMUN RATING:(Ta=25°C)

Part No.	P _d (mw)	V _R (V)	Topr	Tstg
L-32XXIRXX	100	5	-35°C to 85°C	-35°C to 85°C
PARAMETER	Power Dissipation	Reverse Voltage	Operating Temperature Range	Storage Temperature Range
Lead Soldering Temperature {1.6mm(0.063 inch)From Body}250°C ±5°C For 3 Seconds				

◆ELECTRO-OPTICAL CHARACTERISTICS:(Ta=25°C)

Part No.	V _F (V)			I _R (μA)			λ p (nm)			2 θ1/2 (dqe)			I _e (mw/sr)		
	MIN	TYP	MAX	MIN	TYP	MAX	MIN	TYP	MAX	MIN	TYP	MAX	MIN	TYP	MAX
L-327EIR1C	-	1.2	1.6	-	-	10	-	940	-		35		7.5	15	-
L-327EIR1BC	-	1.2	1.6	-	-	10	-	940	-		35		7.5	15	-
L-32AEIR1C	-	1.2	1.6	-	-	10	-	940	-		50		6	10	-
TEST CONDITION	I _F =20mA I _F =100mA			V _R =5V			I _F =20mA			I _F =20mA			I _F =20mA		

BC=BLUE CLEAR

- 1.All dimension are in millimeters (inches).
- 2.Tolerance is ± 0.25 mm (0.01") unless otherwise specified.