











Type J:SMD CHOKES

CONTENTS		PAGE
LDB TYPE		1~8
LBT TYPE		9~12
LDR TYPE		13~16
LMP TYPE		17~20
LPB TYPE		21~24
LRB TYPE		25~28
LRR TYPE		29~32
LSR TYPE		33~36
LPI TYPE		37~40
LCS TYPE		41~44



Specifications other than above will be furnished upon request.

● SMD POWER INDUCTORS

FEATURES:

1. Excellent solderability and high heat resistance.
2. Excellent terminal strength.
3. Packed in embossed carrier tape and can be used by automatic mounting machine.

APPLICATIONS:

Power supply for VCR , OA equipment, LCD television set, notebook, DC to DC converters, DC to AC inverters etc.

PART NUMBERING SYSTEM

LDB □□□□ □□□ □ □
 A B C D E

A : SMD POWER INDUCTOR SERIES

B : DIMENSIONS

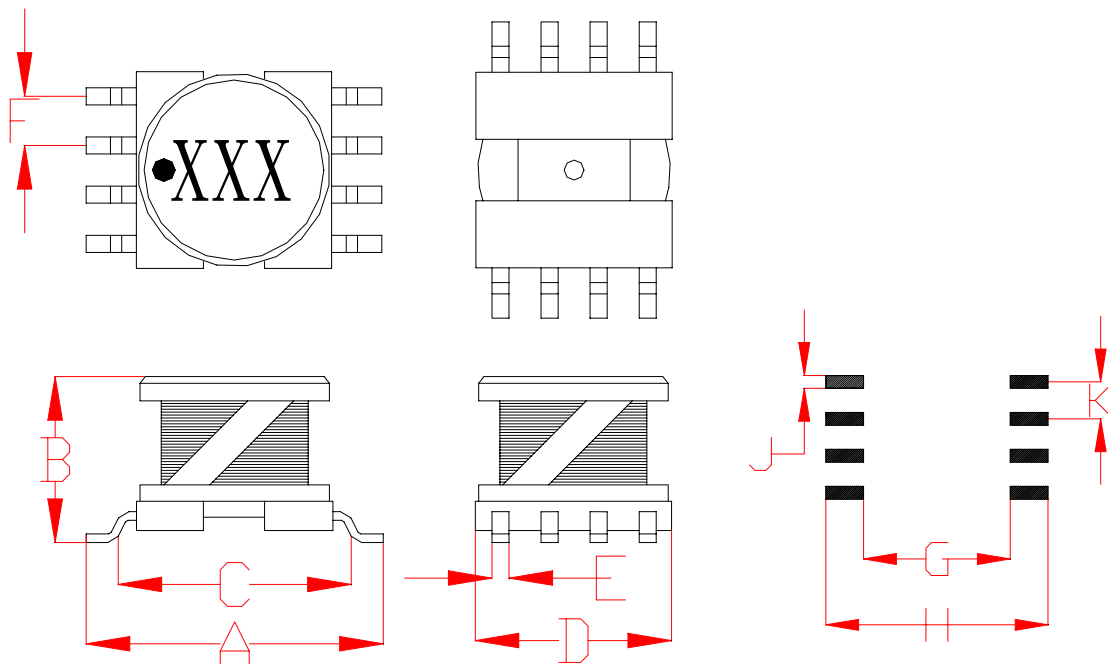
C : INDUCTANCE

D : TOLERANCE J:±5%;K:±10%;L:±15%;M:±20%

E : PACKAGE CODE R : Taping S : Bulk

DIMENSIONS & CONFIGURATIONS

UNIT : mm



TYPE	A	B	C	D	E	F	G	H	J	K
LDB1006	12.5±0.5	6.30MAX	11.0±0.5	10.5MAX	0.6REF	2.5±0.3	10.5	13.5	0.80	2.50
LDB1007	12.5±0.5	7.30MAX	11.0±0.5	10.5MAX	0.6REF	2.5±0.3	10.5	13.5	0.80	2.50
LDB1008	12.5±0.5	8.30MAX	11.0±0.5	10.5MAX	0.6REF	2.5±0.3	10.5	13.5	0.80	2.50
LDB1009	12.5±0.5	9.30MAX	11.0±0.5	10.5MAX	0.6REF	2.5±0.3	10.5	13.5	0.80	2.50

● SMD POWER INDUCTORS

TYPE LDB1006 LDB1007 LDB1008 LDB1009:

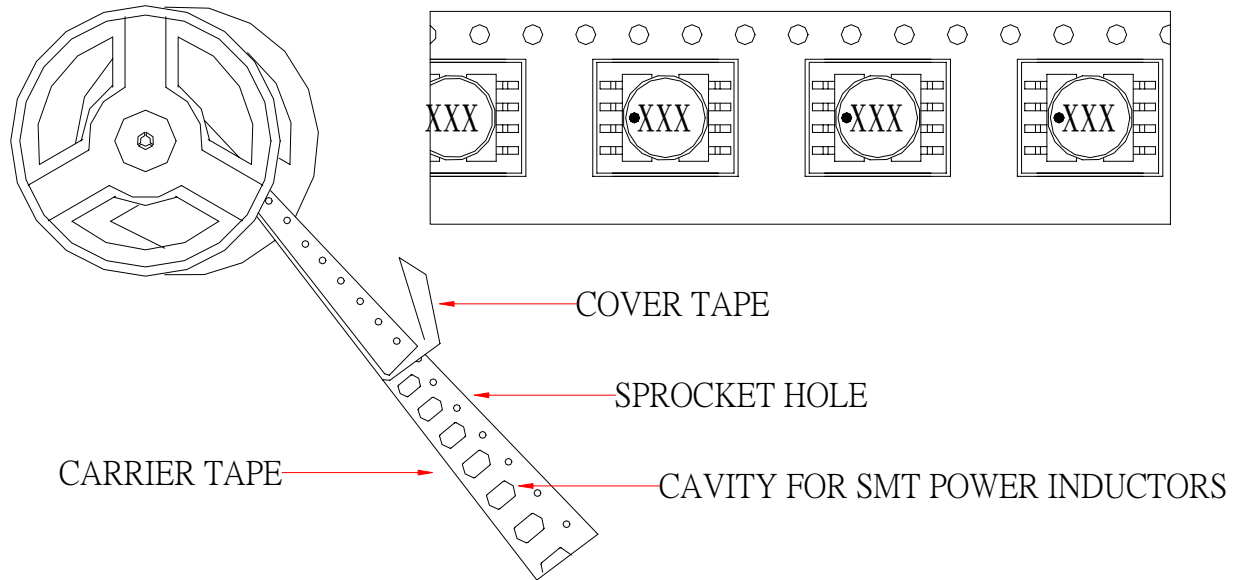
PARTS CODE	INDUCTANCE μ H	D.C.R.(Ohms) REF				RATED CURRENT (A) MAX			
		LDB 1006	LDB 1007	LDB 1008	LDB 1009	LDB 1006	LDB 1007	LDB 1008	LDB 1009
100M	10.0 \pm 20%	0.090	0.069	0.053	0.041	2.100	2.96	3.05	3.46
120M	12.0 \pm 20%	0.100	0.078	0.062	0.052	2.000	2.67	2.75	3.12
150M	15.0 \pm 20%	0.110	0.085	0.070	0.056	1.900	2.45	2.56	2.97
180M	18.0 \pm 20%	0.120	0.094	0.080	0.065	1.800	2.23	2.38	2.82
220M	22.0 \pm 20%	0.130	0.106	0.088	0.074	1.600	2.10	2.05	2.67
270M	27.0 \pm 20%	0.150	0.115	0.100	0.081	1.400	1.96	1.87	2.53
330M	33.0 \pm 20%	0.180	0.136	0.120	0.098	1.250	1.73	1.73	2.35
390M	39.0 \pm 20%	0.190	0.168	0.150	0.107	1.150	1.51	1.60	2.20
470M	47.0 \pm 20%	0.230	0.195	0.170	0.114	1.100	1.30	1.42	2.00
560M	56.0 \pm 20%	0.260	0.221	0.205	0.140	1.050	1.12	1.26	1.80
680M	68.0 \pm 20%	0.310	0.251	0.223	0.160	1.000	0.97	1.18	1.75
820M	82.0 \pm 20%	0.330	0.300	0.287	0.200	0.950	0.75	1.10	1.65
101K	100.0 \pm 10%	0.390	0.359	0.344	0.227	0.900	0.64	1.02	1.53
121K	120.0 \pm 10%	0.430	0.396	0.396	0.277	0.850	0.58	0.91	1.42
151K	150.0 \pm 10%	0.560	0.557	0.544	0.324	0.750	0.53	0.84	1.32
181K	180.0 \pm 10%	0.640	0.689	0.653	0.386	0.700	0.45	0.74	1.15
221K	220.0 \pm 10%	0.850	0.758	0.721	0.540	0.600	0.40	0.69	1.00
271K	270.0 \pm 10%	1.000	1.105	0.949	0.643	0.550	0.36	0.61	0.85
331K	330.0 \pm 10%	1.270	1.359	1.133	0.731	0.500	0.30	0.58	0.72
391K	390.0 \pm 10%	1.400	1.645	1.352	0.953	0.450	0.27	0.53	0.53
471K	470.0 \pm 10%	1.630	1.795	1.569	1.113	0.400	0.21	0.45	0.43
561K	560.0 \pm 10%	2.100		1.820	1.322	0.320		0.40	0.35
681K	680.0 \pm 10%	2.400		2.100	1.542	0.280		0.36	0.28
821K	820.0 \pm 10%	2.750			1.710	0.240			0.22
102K	1000.0 \pm 10%	3.500			1.950	0.220			0.19

1. Measuring Frequency : 10~82 μ H : 2.52MHz 100~820 μ H : 1KHz 0.25V

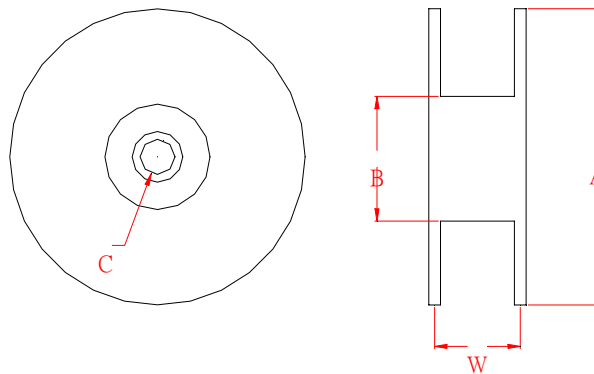
2. Tolerance : J : \pm 5% K : \pm 10% L : \pm 15% M : \pm 20%

3. Rated Current : The inductance should fall less than 10% of its value and the temperature rise should be less than 40°C

EMBOSSED CARRIER CONFIGURATION:

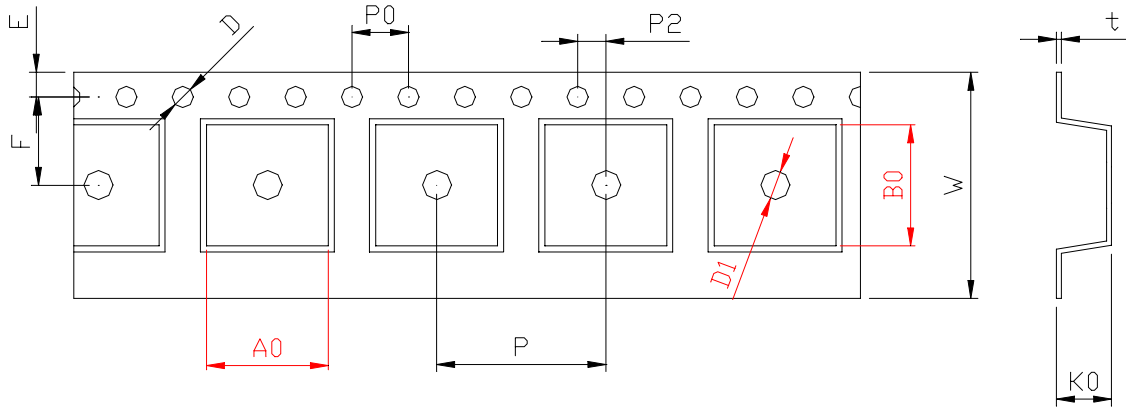


REEL DIMENSION



Item No.	Dimensions of reel				Packing Unit
	A	B	C	W	Φ330mm
LDB1006	330mm	100mm	13mm	26.5mm	500pcs/reel
LDB1007	330mm	100mm	13mm	26.5mm	500pcs/reel
LDB1008	330mm	100mm	13mm	26.5mm	500pcs/reel
LDB1009	330mm	100mm	13mm	26.5mm	500pcs/reel

PACKAGE SPECIFICATIONS



DIMENSIONS OF EMBOSSED PLASTIC CARRIER TAPE

SYM.	LDB1006	LDB1007	LDB1008	LDB1009
W	24.0 \pm 0.30	24.0 \pm 0.30	24.0 \pm 0.30	24.0 \pm 0.30
A ₀	12.60 \pm 0.10	12.60 \pm 0.10	12.60 \pm 0.10	12.60 \pm 0.10
B ₀	12.60 \pm 0.10	12.60 \pm 0.10	12.60 \pm 0.10	12.60 \pm 0.10
K ₀	6.50 \pm 0.10	7.50 \pm 0.10	8.50 \pm 0.10	9.50 \pm 0.10
K ₁	0.00 \pm 0.10	0.00 \pm 0.10	0.00 \pm 0.10	0.00 \pm 0.10
P	16.00 \pm 0.10	16.00 \pm 0.10	16.00 \pm 0.10	16.00 \pm 0.10
F	11.50 \pm 0.10	11.50 \pm 0.10	11.50 \pm 0.10	11.50 \pm 0.10
E	1.75 \pm 0.10	1.75 \pm 0.10	1.75 \pm 0.10	1.75 \pm 0.10
D	1.50 \pm 0.10	1.50 \pm 0.10	1.50 \pm 0.10	1.50 \pm 0.10
D ₁	0.00 \pm 0.10	0.00 \pm 0.10	0.00 \pm 0.10	0.00 \pm 0.10
P ₀	4.00 \pm 0.10	4.00 \pm 0.10	4.00 \pm 0.10	4.00 \pm 0.10
P ₂	2.00 \pm 0.10	2.00 \pm 0.10	2.00 \pm 0.10	2.00 \pm 0.10
t	0.40 \pm 0.05	0.40 \pm 0.05	0.40 \pm 0.05	0.40 \pm 0.05

FEATURES:

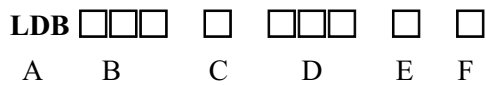
The Surface Mount Inductors are designed for the smallest possible size and high performance. They are with high energy storage and very Low resistance making them the ideal inductors for DC-DC conversion

in the following applications.

APPLICATIONS:

Notebook Computers, PD As, Step-up and step-down converters, Flash Memory programmes, etc.

PART NUMBERING SYSTEM

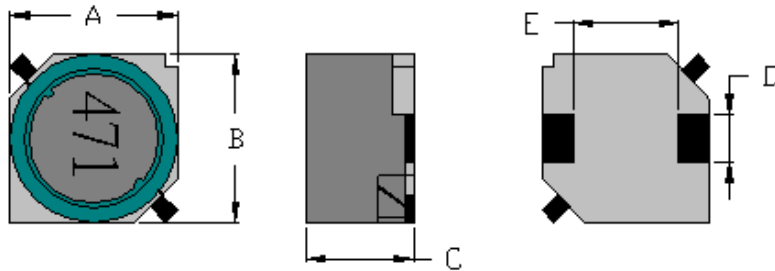


A : SMD POWER INDUCTOR SERIES(LDB TYPE) B : DIMENSIONS

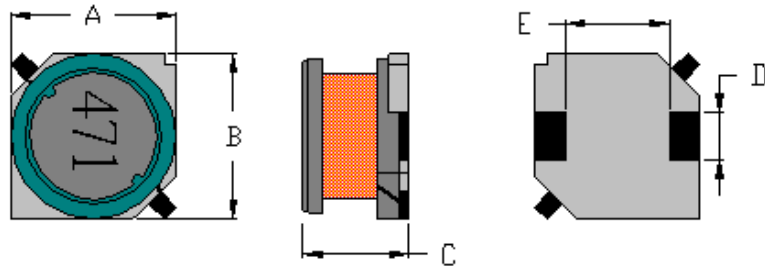
C: C:SHILED F:NO SHILED D : INDUCTANCE

E : TOLERANCE J:±5%;K:±10%;L± 10%;M:±20% F : PACKAGE CODE R : Taping S : Bulk

LDB □□□C TYPE:



LDB □□□F TYPE:



DIMENSIONS & CONFIGURATIONS

UNIT : mm

TYPE	A (MAX)	B (MAX)	C (MAX)	D (±0.2)	E (±0.2)
LDB073F	7.40	7.40	3.50	2.00	5.40
LDB073C	7.40	7.40	5.50	2.00	5.40
LDB075F	7.40	7.40	3.50	2.00	5.40
LDB075C	7.40	7.40	5.50	2.00	5.40

● SMD POWER INDUCTORS

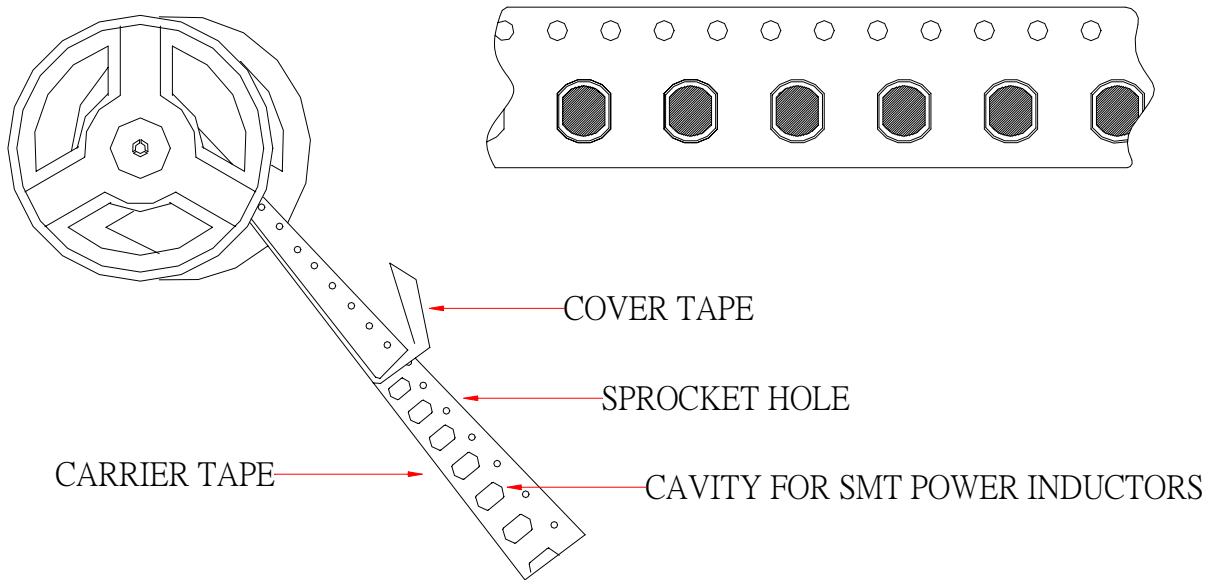
TYPE LDB073F/C LDB075F/C

PARTS CODE	INDUCTANCE uH	D.C.R.(Ohm) REF				RATED CURRENT (A) MAX			
		LDB 073F	LDB 073C	LDB 075F	LDB 075C	LDB 073F	LDB 073C	LDB 075F	LDB 075C
1R0M	1.0	0.022	0.019	0.023	0.023	2.88	3.12	2.88	3.25
1R2M	1.2	0.024	0.021	0.025	0.025	2.78	2.95	2.74	2.88
1R5M	1.5	0.026	0.023	0.028	0.027	2.67	2.85	2.56	2.74
1R8M	1.8	0.028	0.025	0.030	0.028	2.53	2.75	2.46	2.56
2R2M	2.2	0.032	0.028	0.032	0.030	2.40	2.66	2.36	2.46
2R7M	2.7	0.037	0.032	0.034	0.033	2.24	1.24	2.26	2.36
3R3M	3.3	0.041	0.035	0.038	0.035	2.08	2.26	2.16	2.26
3R9M	3.9	0.045	0.038	0.045	0.038	2.00	2.11	2.04	2.16
4R7M	4.7	0.049	0.043	0.049	0.041	1.92	1.96	1.88	2.04
5R6M	5.6	0.058	0.049	0.055	0.044	1.78	1.86	1.78	1.88
6R8M	6.8	0.067	0.055	0.060	0.047	1.60	1.76	1.68	1.78
8R2M	8.2	0.078	0.065	0.065	0.048	1.55	1.50	1.62	1.68
100M	10.0	0.085	0.080	0.070	0.050	1.41	1.34	1.56	1.62
120M	12.0	0.100	0.090	0.080	0.070	1.28	1.23	1.44	1.56
150M	15.0	0.130	0.120	0.090	0.080	1.12	1.09	1.36	1.44
180M	18.0	0.160	0.130	0.100	0.090	1.00	0.99	1.28	1.36
220M	22.0	0.180	0.150	0.120	0.110	0.93	0.90	1.17	1.28
270M	27.0	0.240	0.210	0.140	0.150	0.80	0.81	1.07	1.17
330M	33.0	0.290	0.250	0.160	0.170	0.72	0.72	1.00	1.07
390M	39.0	0.340	0.310	0.190	0.180	0.66	0.67	0.91	1.00
470M	47.0	0.410	0.350	0.220	0.200	0.59	0.63	0.84	0.91
560M	56.0	0.480	0.430	0.290	0.280	0.55	0.60	0.72	0.84
680M	68.0	0.600	0.520	0.340	0.320	0.49	0.55	0.66	0.72
820M	82.0	0.710	0.600	0.460	0.350	0.44	0.50	0.58	0.66
101M	100.0	0.950	0.790	0.550	0.400	0.38	0.46	0.51	0.58
121M	120.0	1.105	0.850	0.670	0.440	0.32	0.41	0.42	0.51
151M	150.0	1.354	0.980	0.900	0.730	0.26	0.35	0.37	0.42
181M	180.0	1.685	1.150	1.050	0.780	0.22	0.29	0.35	0.37
221M	220.0	1.968	1.300	1.350	0.940	0.20	0.21	0.29	0.35
271M	270.0	2.300	1.650	1.550	0.250	0.17	0.16	0.28	0.29
331M	330.0	2.800	1.970	2.050	1.400	0.14	0.12	0.23	0.28
391M	390.0	3.520	2.250	2.300	1.520	0.11	0.09	0.22	0.23
471M	470.0	3.985	2.850	2.600	1.700	0.09	0.08	0.20	0.22
561M	560.0	4.650	3.200	3.100	2.390	0.08	0.07	0.18	0.20
681M	680.0	5.850	3.900	3.600	3.250	0.07	0.06	0.15	0.18
821M	820.0	7.100	4.550	4.200	4.100	0.06	0.05	0.12	0.15

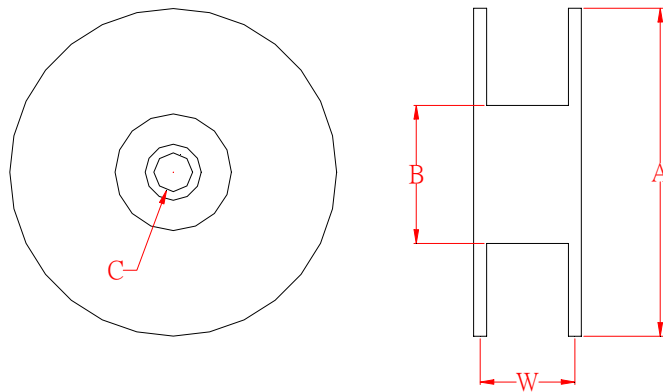
1. Measuring Frequency : 1.0~8.2uH : 7.96MHz 10~82uH : 2.52MHz 100~820uH : 1KHz0.25V

2. Tolerance : J : $\pm 5\%$ K : $\pm 10\%$ L : $\pm 15\%$ M : $\pm 20\%$

3. Rated Current : The inductance should fall less than 10% of its value and the temperature rise should be less than 40°C

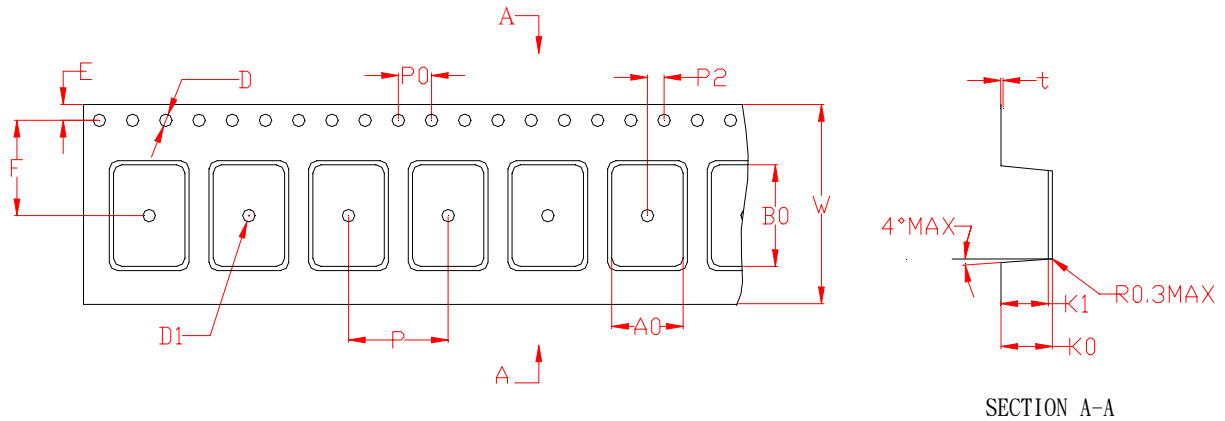


REEL DIMENSION



Item No.	Dimensions of reel				Packing Unit
	A	B	C	W	Φ330mm
LDB073F	330	100.0	13.5	16.5	1500 pcs/reel
LDB075F	330	100.0	13.5	16.5	1000 pcs/reel
LDB073C	330	100.0	13.5	16.5	1500 pcs/reel
LDB075C	330	100.0	13.5	16.5	1000 pcs/reel

PACKAGE SPECIFICATIONS



DIMENSIONS OF EMBOSSED PLASTIC CARRIER TAPE

SYM.	LDB073F	LDB075F	LDB073C	LDB075C
W	16.00 \pm 0.10	16.00 \pm 0.10	16.00 \pm 0.10	16.00 \pm 0.10
A_0	7.60 \pm 0.10	7.60 \pm 0.10	7.60 \pm 0.10	7.60 \pm 0.10
B_0	7.60 \pm 0.10	7.60 \pm 0.10	7.60 \pm 0.10	7.60 \pm 0.10
K_0	3.80 \pm 0.10	5.80 \pm 0.10	3.80 \pm 0.10	5.80 \pm 0.10
K_1	0 \pm 0.10	0 \pm 0.10	0 \pm 0.10	0 \pm 0.10
P	12.00 \pm 0.10	12.00 \pm 0.10	12.00 \pm 0.10	12.00 \pm 0.10
F	7.50 \pm 0.10	7.50 \pm 0.10	7.50 \pm 0.10	7.50 \pm 0.10
E	1.75 \pm 0.10	1.75 \pm 0.10	1.75 \pm 0.10	1.75 \pm 0.10
D	1.50 \pm 0.10	1.50 \pm 0.10	1.50 \pm 0.10	1.50 \pm 0.10
D_1	1.50 \pm 0.10	1.50 \pm 0.10	1.50 \pm 0.10	1.50 \pm 0.10
P_0	4.00 \pm 0.10	4.00 \pm 0.10	4.00 \pm 0.10	4.00 \pm 0.10
P_2	2.00 \pm 0.10	2.00 \pm 0.10	2.00 \pm 0.10	2.00 \pm 0.10
t	0.35 \pm 0.05	0.35 \pm 0.05	0.35 \pm 0.05	0.35 \pm 0.05

● SMD POWER INDUCTORS

FEATURES:

Frequency range: 1~1000MHz

The SMD Balun translators has direct link with the root of the pin of the Base and is attached to PCB board in the shortest distance it can be used as impedance translator, b37 wide band translator, insulation translator, balance and unbalance translator, etc.

PART NUMBERING SYSTEM

LBT □□□□ □ □□□ □ □

A B C D E F

A : SMD BALUN TRANSLATOR TYPE

B : DIMENSIONS

C : H:HORIZONTAL TYPE,V:VERTICAL TYPE

D : NUMBER OF TURNS

E : CONNECTIONS

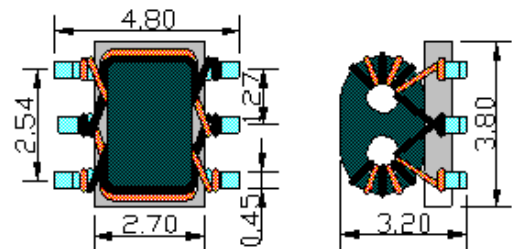
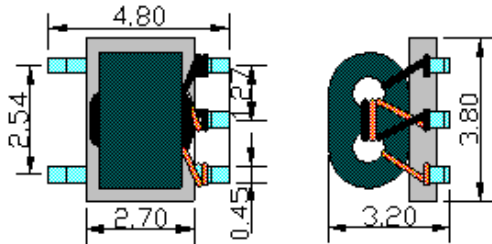
F : PACKAGE CODE T : Taping B : Bulk



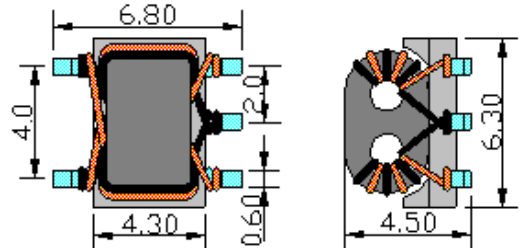
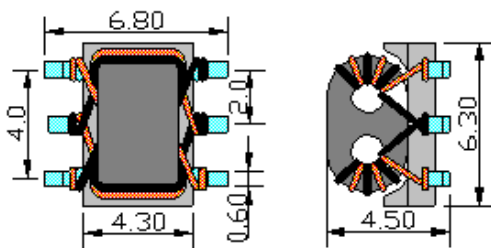
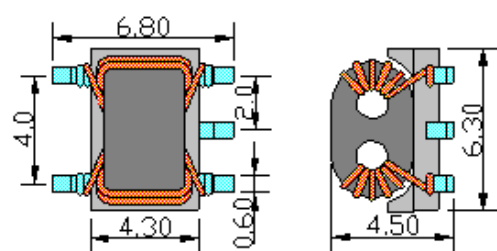
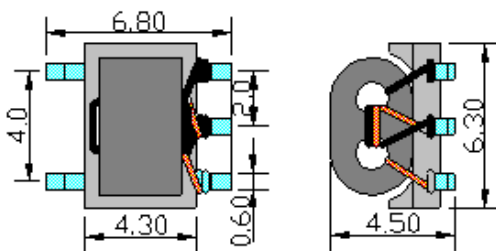
DIMENSIONS & CONFIGURATIONS

UNIT : mm

LBT-0403H TYPE:



LBT-0605H TYPE:



● **SMD POWER INDUCTORS**

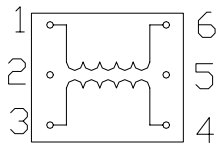
SPECIFICATIONS:

PART NUMBER	WINDING TUENS (T)	OPERATING FREQUENCY RANGE(Hz)	INSERTION LOSS (dB)	CONNECTION
LBT0403H-1R5AT/B	1.5	50.0~600.0M	5.0MAX	(A)
LBT0403H-2R5AT/B	2.5	50.0~600.0M	6.0MAX	(A)
LBT0403H-2R0BT/B	2.0	50.0~1000.0M	3.5MAX	(B)
LBT0403H-3R0BT/B	3.0	30.0~1000.0M	4.0MAX	(B)
LBT0403H-4R0BT/B	4.0	20.0~1000.0M	4.5MAX	(B)
LBT0403H-3R5CT/B	3.5	50.0~500.0M	10.0MIN	(C)
LBT0403H-4R5CT/B	4.5	50.0~450.0M	12.0MIN	(C)
LBT0403H-5R5CT/B	5.5	50.0~400.0M	15.0MIN	(C)
LBT0403H-2R0DT/B	2.0	50.0~800.0M	6.5MAX	(D)
LBT0605H-2R0AT/B	2.0	50.0~1000.0M	5.5MAX	(A)
LBT0605H-3R0AT/B	3.0	20.0~1000.0M	4.5MAX	(A)
LBT0605H-4R0AT/B	4.0	20.0~1000.0M	4.0MAX	(A)
LBT0605H-1R0BT/B		60.0~600.0M	IN TO OUT-1.2 3.5MAX IN TO OUT-1.2 9.0~18.0	(B)
LBT0605H-1R0CT/B		20.0~600.0M	IN TO OUT-1.2 5.5MAX IN TO OUT-1.2 10.0REF	(C)

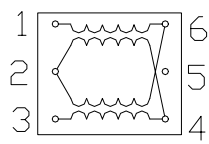
***NOTE: DATA SHOWN ARE VALUES MEASURED BY OUR TEST DEVICE.

CONNECTIONS:

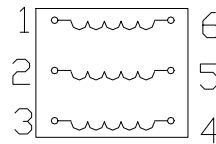
LBT-0403H TYPE:



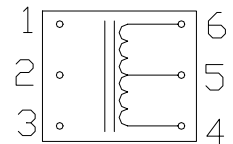
(A)



(B)

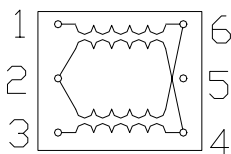


(C)

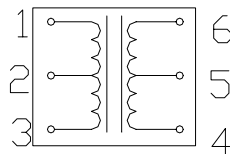


(D)

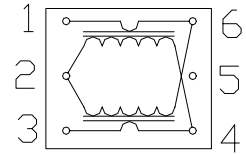
LBT0605H TYPE:



(A)

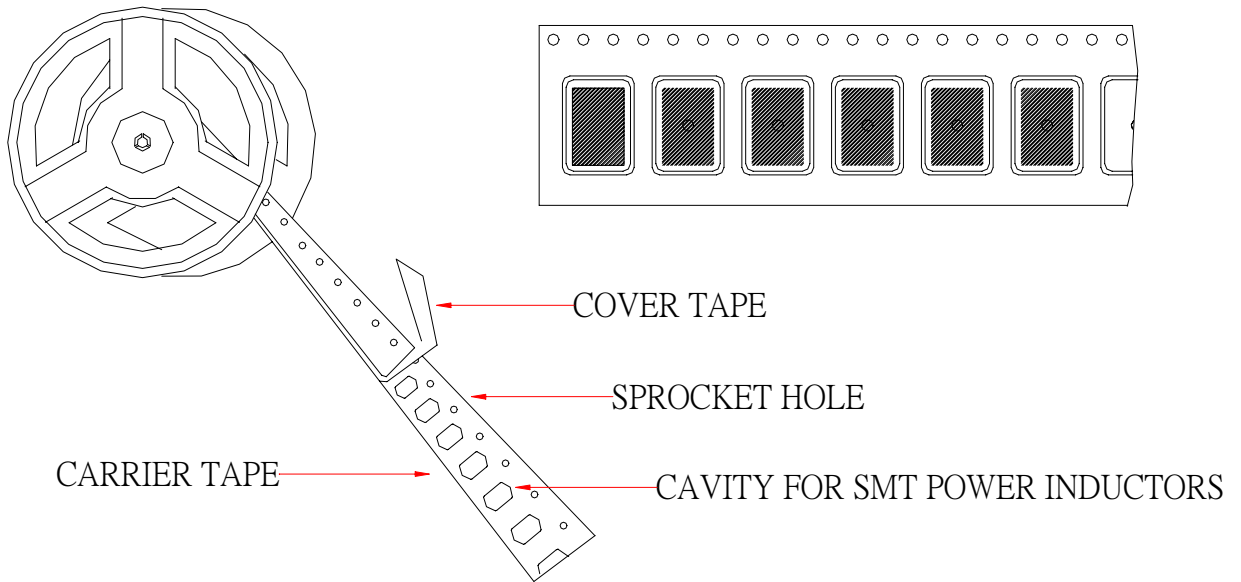


(B)

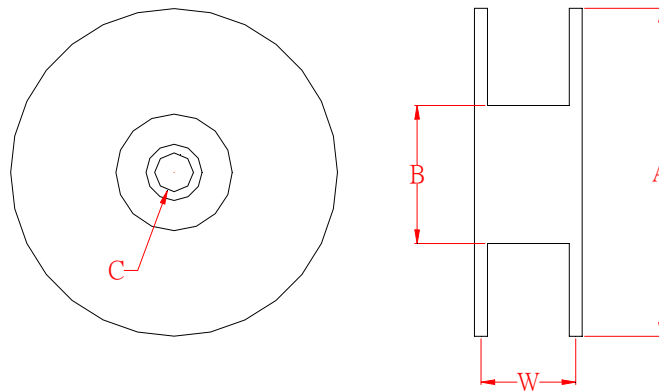


(C)

● SMD POWER INDUCTORS

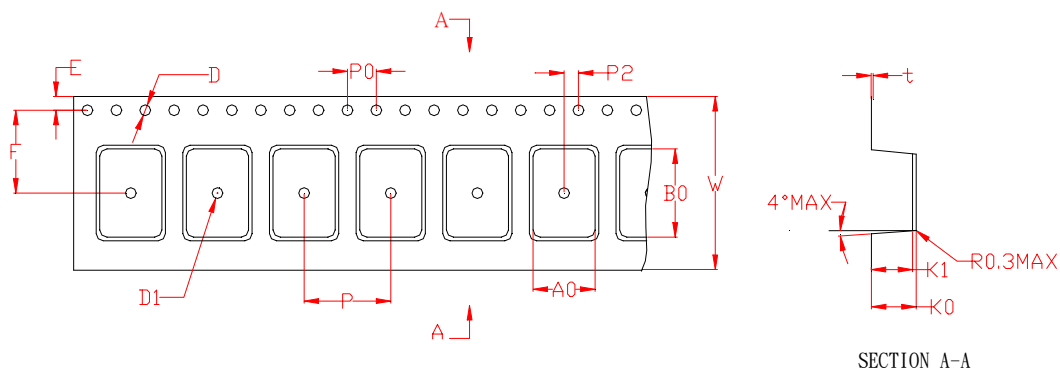


REEL DIMENSION



Item No.	Dimensions of reel				Packing Unit Φ330mm
	A	B	C	W	
LBT-0403H	330	75.0	13.5	18.5	1500pcs/reel
LBT-0605H	330	75.0	13.5	18.5	1000 pcs/reel

PACKAGE SPECIFICATIONS



DIMENSIONS OF EMBOSSED PLASTIC CARRIER TAPE

SYM.	LBT0430H	LBT0605
W	16.0 ^{+0.30} _{-0.10}	16.0 ^{+0.30} _{-0.10}
A ₀	5.10 ^{±0.10}	7.10 ^{±0.10}
B ₀	4.10 ^{±0.10}	6.60 ^{±0.10}
K ₀	3.50 ^{±0.10}	4.80 ^{±0.10}
K ₁		
P	8.00 ^{±0.10}	12.00 ^{±0.10}
F	7.50 ^{±0.10}	7.50 ^{±0.10}
E	1.75 ^{±0.10}	1.75 ^{±0.10}
D _{-0.00}	1.50 ^{+0.10} _{-0.00}	1.50 ^{+0.10} _{-0.00}
D _{1-0.00}	1.50 ^{+0.25} _{-0.00}	1.50 ^{+0.25} _{-0.00}
P ₀	4.00 ^{±0.10}	4.00 ^{±0.10}
P ₂	2.00 ^{±0.10}	2.00 ^{±0.10}
t	0.35 ^{±0.05}	0.35 ^{±0.05}

SMD POWER INDUCTORS

FEATURES:

1. Excellent solderability and high heat resistance.
2. Excellent terminal strength.
3. Packed in embossed carrier tape and can be used by automatic mounting machine.

APPLICATIONS:

Power supply for VCR , OA equipment, LCD television set, notebook, DC to DC converters, DC to AC inverters etc.

PART NUMBERING SYSTEM

LDR □□□ □□□ □ □
 A B C D E

A : SMD POWER INDUCTOR SERIES

B : DIMENSIONS

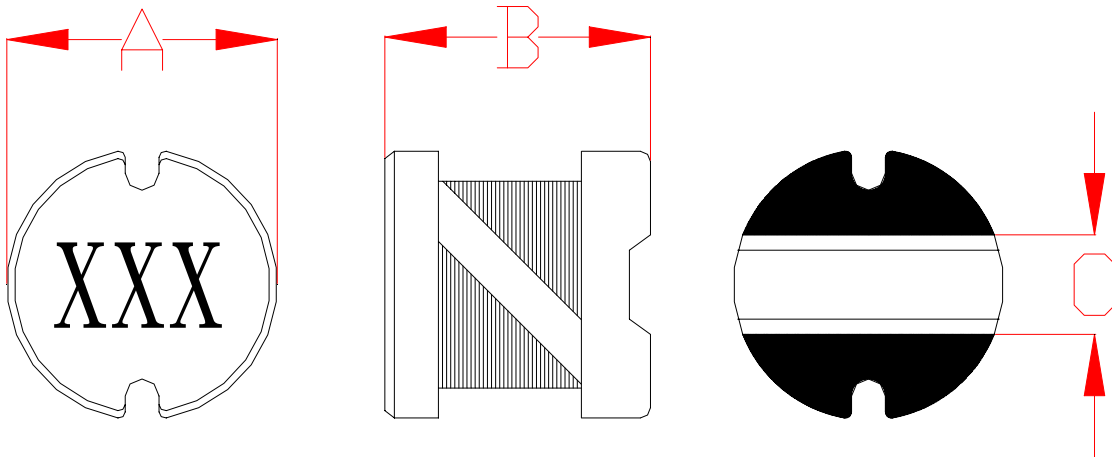
C : INDUCTANCE

D : TOLERANCE J:±5%;K:±10%;L:±15%;M:±20%

E : PACKAGE CODE R : Taping S : Bulk

DIMENSIONS & CONFIGURATIONS

UNIT : mm



TYPE	A	B	C
LDR 054	5.6±0.3	4.5±0.3	2.0 TYP.
LDR 075	7.5±0.3	5.5±0.3	2.6 TYP.
LDR 095	9.5±0.3	5.5±0.3	2.9 TYP.

TYPE LDR054 LDR075 LDR095

P/N.	INDUCTANCE uH	D.C.R.(Ohm) REF			RATED CURRENT (A) MAX		
		LDR054	LDR075	LDR095	LDR054	LDR075	LDR095
100M	10.00	0.10	0.070	0.060	1.44	2.30	2.60
120M	12.00	0.12	0.080	0.070	1.40	2.00	2.45
150M	15.00	0.14	0.090	0.080	1.30	1.80	2.25
180M	18.00	0.15	0.100	0.090	1.23	1.60	2.15
220L	22.00	0.18	0.110	0.100	1.11	1.50	1.95
270L	27.00	0.20	0.120	0.110	0.97	1.30	1.75
330L	33.00	0.23	0.140	0.120	0.88	1.20	1.50
390L	39.00	0.32	0.160	0.140	0.80	1.10	1.35
470L	47.00	0.37	0.200	0.170	0.72	1.00	1.25
560L	56.00	0.42	0.240	0.190	0.68	0.94	1.15
680L	68.00	0.46	0.300	0.220	0.61	0.85	1.10
820L	82.00	0.60	0.370	0.250	0.58	0.78	1.00
101L	100.00	0.70	0.450	0.350	0.52	0.72	0.97
121L	120.00	0.93	0.480	0.400	0.48	0.66	0.89
151L	150.00	1.10	0.680	0.470	0.40	0.58	0.78
181L	180.00	1.38	0.770	0.630	0.38	0.51	0.72
221L	220.00	1.57	0.960	0.730	0.35	0.49	0.66
271K	270.00		1.110	0.970		0.42	0.57
331K	330.00		1.260	1.150		0.40	0.52
391K	390.00		1.770	1.300		0.36	0.48
471K	470.00		1.960	1.480		0.34	0.42
561K	560.00			1.900			0.33
681K	680.00			2.250			0.28
821K	820.00			2.550			0.24

1. Measuring Frequency :10~82uH : 2.52MHz 100~820uH : 1KHz0.25V

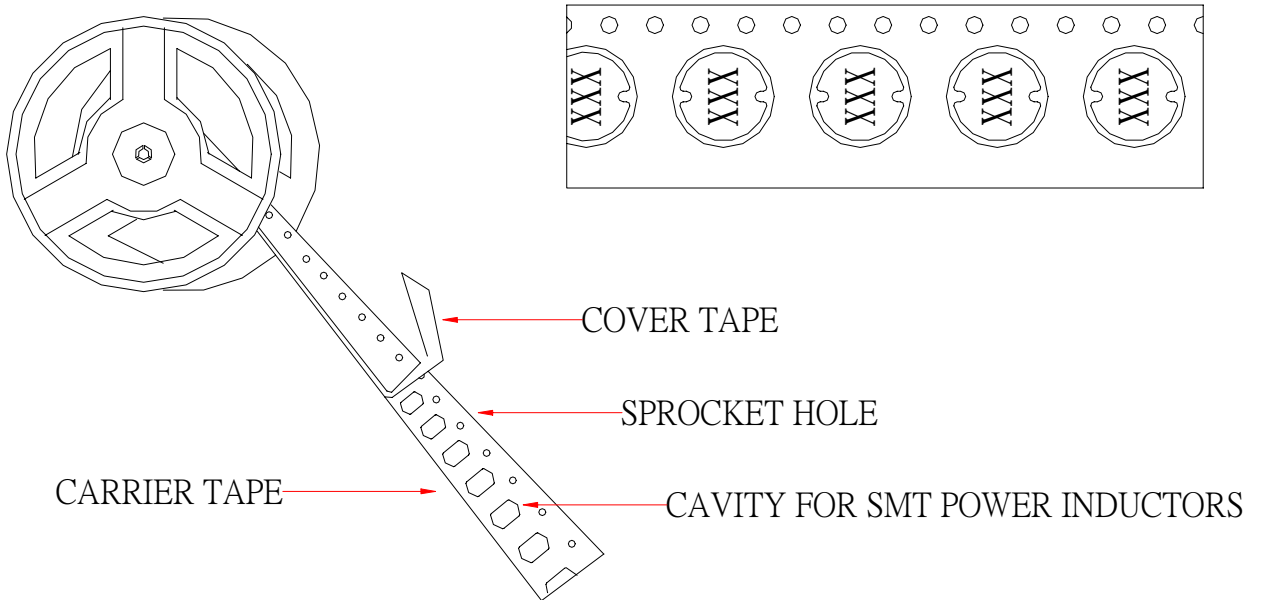
2. Tolerance : J : ±5% K : ±10% L : ±15% M : ±20%

3. Rated Current : The inductance should fall less than 10% of its value and the temperature rise should be less than 40°C

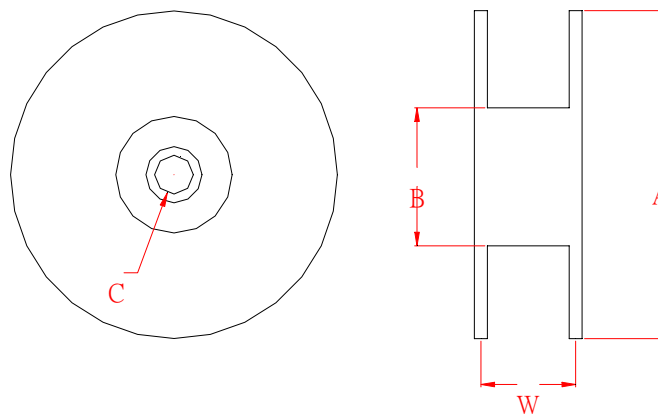
● SMD POWER INDUCTORS



Crest Technologies Pty Ltd
 46/41-49 Norcal Rd Nunawading 3131 Australia
 Tel: (03) 9873 8830 Fax: (03) 9873 8799
 Email: sales@cresttech.com.au
 Web: http://www.cresttech.com.au

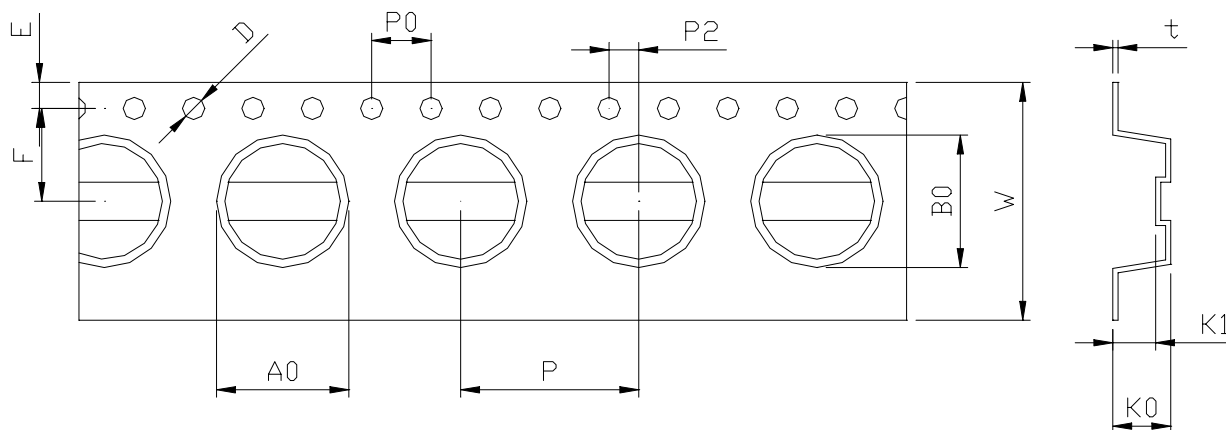


REEL DIMENSION



Item No.	Dimensions of reel				Packing Unit
	A	B	C	W	Φ330mm
LDR054	330	100.0±2.00	13.50±0.50	14.0	1500 pcs/reel
LDR075	330	100.0±2.00	13.50±0.50	18.0	1000 pcs/reel
LDR095	330	100.0±2.00	13.50±0.50	26.0	500 pcs/reel

PACKAGE SPECIFICATIONS



DIMENSIONS OF EMBOSSED PLASTIC CARRIER TAPE

SYM.	LDR054	LDR075	LDR095
W	12.0 \pm 0.30	16.0 \pm 0.30	24.0 \pm 0.30
A ₀	6.20 \pm 0.10	8.10 \pm 0.10	12.70 \pm 0.10
B ₀	6.20 \pm 0.10	8.10 \pm 0.10	12.70 \pm 0.10
K ₀	4.80 \pm 0.10	5.80 \pm 0.10	6.00 \pm 0.10
P	8.00 \pm 0.10	12.00 \pm 0.10	16.00 \pm 0.10
F	5.50 \pm 0.10	7.50 \pm 0.10	11.50 \pm 0.10
E	1.75 \pm 0.10	1.75 \pm 0.10	1.75 \pm 0.10
D	1.50 \pm 0.10	1.50 \pm 0.10	1.50 \pm 0.10
D ₁	1.50 \pm 0.10	1.50 \pm 0.10	1.50 \pm 0.10
P ₀	4.00 \pm 0.10	4.00 \pm 0.10	4.00 \pm 0.10
P ₂	2.00 \pm 0.10	2.00 \pm 0.10	2.00 \pm 0.10
t	0.40 \pm 0.05	0.40 \pm 0.05	0.40 \pm 0.05

● SMD POWER INDUCTORS

FEATURES:

The Surface Mount Inductors are designed for the smallest possible size and high performance. They are with high energy storage and very Low resistance making them the ideal inductors for DC-DC conversion

in the following applications.

APPLICATIONS:

Notebook Computers, PD As, Step-up and step-down converters, Flash Memory programs, etc.

PART NUMBERING SYSTEM

LMP □□□ □□□ □ □
 A B C D E

A : SMD POWER INDUCTOR SERIES(LMP TYPE)

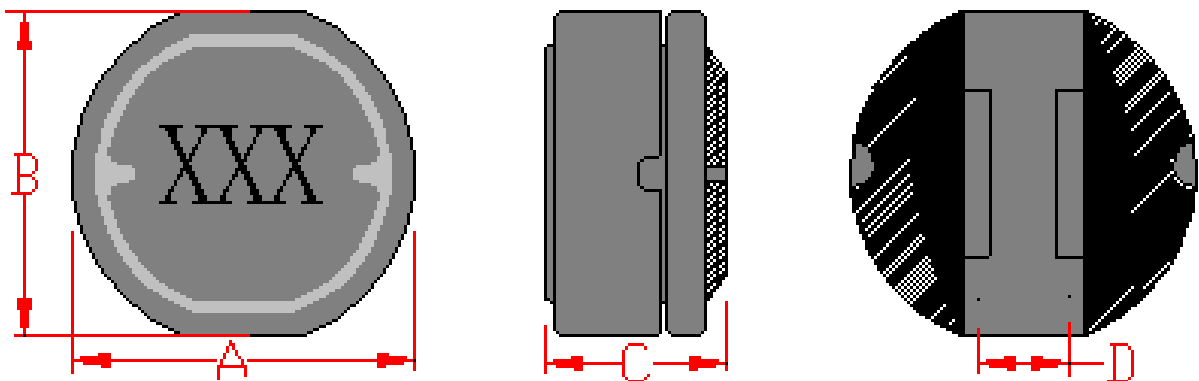
B : DIMENSIONS C : INDUCTANCE

D : TOLERANCE J:±5%;K:±10%;L:±15%;M:±20%

E : PACKAGE CODE R : Taping S : Bulk

SHAPE :

LMP TYPE:



DIMENSIONS & CONFIGURATIONS

UNIT : mm

TYPE	A (±0.5)	B (±0.5)	C (±0.5)	D (REF)
LMP054	5.80	5.40	4.50	2.10
LMP063	6.20	6.00	3.20	2.00
LMP075	7.80	7.00	4.50	2.10
LMP105	10.00	9.00	5.00	2.90

● SMD POWER INDUCTORS

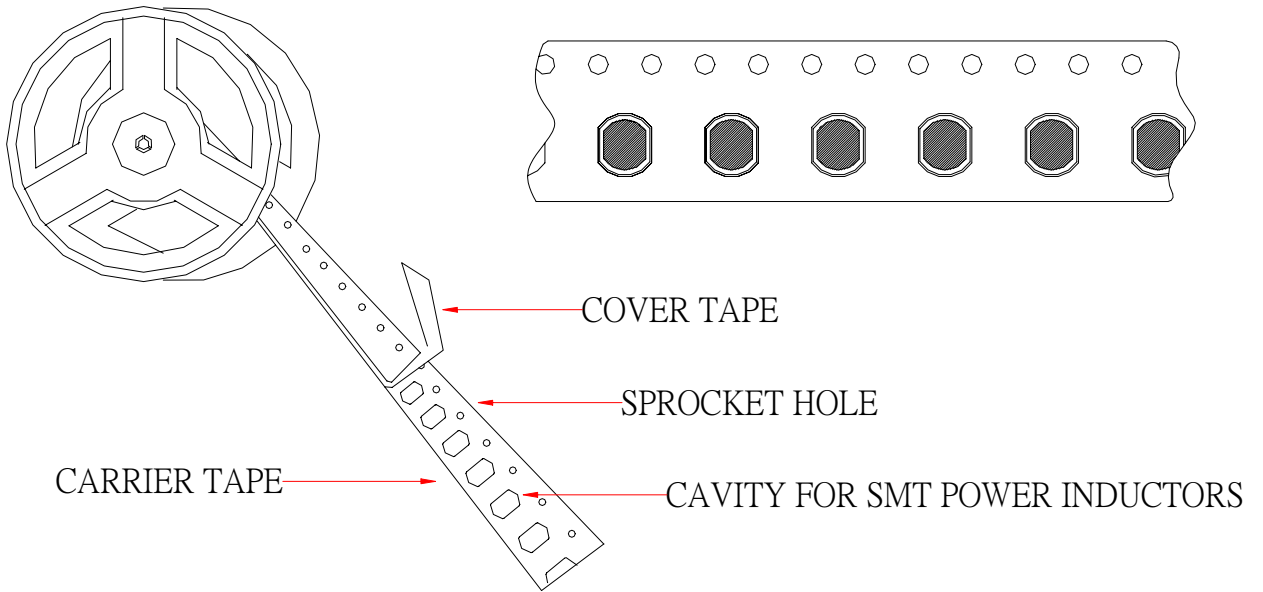
SPECIFICATIONS:

PARTS CODE	INDUCTANCE uH	D.C.R.(Ohm) REF				RATED CURRENT (A) MAX			
		LMP 054	LMP 063	LMP 075	LMP 105	LMP 054	LMP 063	LMP 075	LMP 105
1R0M	1.0	0.06	0.05	0.025	0.015	2.50	3.00	3.50	3.80
1R2M	1.2	0.08	0.06	0.030	0.015	2.45	2.90	3.20	3.50
1R5M	1.5	0.10	0.07	0.035	0.020	2.40	2.85	3.15	3.20
1R8M	1.8	0.12	0.08	0.040	0.020	2.30	2.70	3.05	3.15
2R2M	2.2	0.14	0.09	0.045	0.025	2.00	2.60	3.00	3.05
2R7M	2.7	0.16	0.10	0.045	0.030	1.80	2.50	2.90	3.00
3R3M	3.3	0.18	0.12	0.05	0.035	1.60	2.45	2.85	2.90
3R9M	3.9	0.24	0.13	0.05	0.040	1.50	2.40	2.70	2.85
4R7M	4.7	0.28	0.14	0.06	0.045	1.30	2.30	2.60	2.70
5R6M	5.6	0.37	0.15	0.06	0.045	1.20	2.00	2.50	2.60
6R8M	6.8	0.43	0.16	0.06	0.050	1.10	1.80	2.45	2.50
8R2M	8.2	0.47	0.18	0.07	0.052	1.00	1.60	2.40	2.45
100M	10.0	0.64	0.24	0.07	0.053	0.94	1.50	2.30	2.38
120M	12.0	0.71	0.28	0.08	0.061	0.85	1.30	2.00	2.13
150M	15.0	0.96	0.37	0.09	0.070	0.78	1.20	1.80	1.87
180M	18.0	1.11	0.43	0.10	0.081	0.72	1.10	1.60	1.73
220M	22.0	1.26	0.47	0.11	0.088	0.66	1.00	1.50	1.60
270M	27.0	1.77	0.64	0.12	0.100	0.58	0.94	1.30	1.44
330M	33.0	1.96	0.71	0.13	0.120	0.51	0.85	1.20	1.26
390M	39.0	2.50	0.96	0.16	0.151	0.49	0.78	1.10	1.20
470M	47.0	3.10	1.11	0.18	0.170	0.42	0.72	1.00	1.10
560M	56.0	3.50	1.26	0.24	0.199	0.40	0.66	0.94	1.01
680M	68.0	4.10	1.77	0.28	0.223	0.36	0.58	0.85	0.91
820M	82.0	4.60	1.96	0.37	0.252	0.34	0.51	0.78	0.85
101M	100.0	5.20	2.50	0.43	0.344	0.30	0.49	0.72	0.74
121M	120.0	5.95	3.10	0.47	0.399	0.25	0.42	0.66	0.69
151M	150.0	6.30	3.50	0.64	0.544	0.20	0.40	0.58	0.61
181M	180.0	6.95	4.10	0.71	0.621	0.18	0.36	0.51	0.56
221M	220.0	7.55	4.60	0.96	0.721	0.16	0.34	0.49	0.53
271M	270.0	8.20	5.20	1.11	0.949	0.15	0.30	0.42	0.45
331M	330.0	9.80	5.95	1.26	1.100	0.13	0.25	0.40	0.42
391M	390.0	11.05	6.30	1.77	1.245	0.12	0.20	0.36	0.38
471M	470.0	13.50	6.95	1.96	1.526	0.10	0.18	0.34	0.35
561M	560.0	15.65	7.55	2.50	1.904	0.09	0.15	0.30	0.32
681M	680.0	18.20	8.20	3.10	2.50	0.08	0.12	0.25	0.29
821M	820.0	20.30	9.80	3.50	2.95	0.07	0.10	0.20	0.25

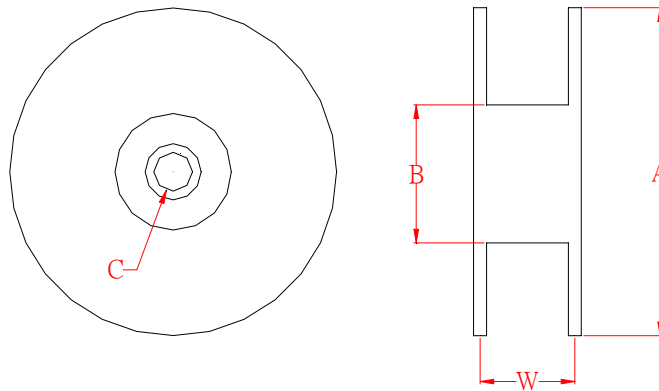
1. Measuring Frequency: 1.0~8.2uH : 7.96MHz 10~82uH : 2.52MHz 100~820uH : 1KHz0.25V

2.Tolerance: J:±5% K:±10% L:±15% M:±20%

3..Rated Current: The inductance should fall less than 10% of its value and the temperature rise should be less than 40°C

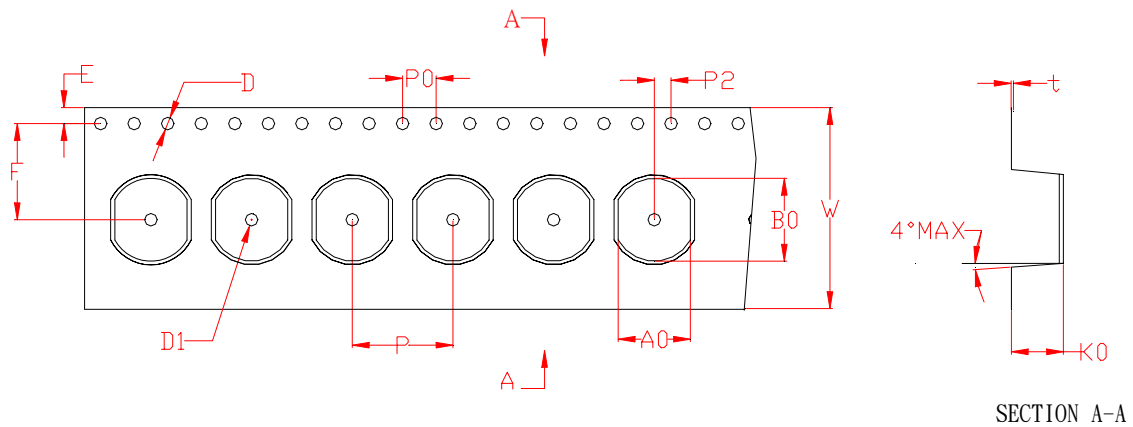


REEL DIMENSION



Item No.	Dimensions of reel				Packing Unit Φ330mm
	A	B	C	W	
LMP054	330	100.0	13.5	12.5	1000 pcs/reel
LMP063	330	100.0	13.5	12.5	1000 pcs/reel
LMP075	330	100.0	13.5	16.5	1000 pcs/reel
LMP105	330	100.0	13.5	24.5	500 pcs/reel

PACKAGE SPECIFICATIONS



DIMENSIONS OF EMBOSSED PLASTIC CARRIER TAPE

SYM.	LMP054	LMP063	LMP075	LMP105
W	12.0 \pm 0.10	12.0 \pm 0.10	16.0 \pm 0.10	24.0 \pm 0.10
A ₀	5.60 \pm 0.10	6.00 \pm 0.10	7.30 \pm 0.10	9.60 \pm 0.10
B ₀	6.20 \pm 0.10	6.50 \pm 0.10	8.00 \pm 0.10	10.3 \pm 0.10
K ₀	4.80 \pm 0.10	3.50 \pm 0.10	5.30 \pm 0.10	5.80 \pm 0.10
K ₁	0 \pm 0.10	0 \pm 0.10	0 \pm 0.10	0 \pm 0.10
P	8.00 \pm 0.10	8.00 \pm 0.10	12.00 \pm 0.10	12.00 \pm 0.10
F	7.50 \pm 0.10	5.50 \pm 0.10	7.50 \pm 0.10	11.50 \pm 0.10
E	1.75 \pm 0.10	1.75 \pm 0.10	1.75 \pm 0.10	1.75 \pm 0.10
D	1.50 $^{+0.10}$	1.50 $^{+0.10}$	1.50 $^{+0.10}$	1.50 $^{+0.10}$
D ₁	1.50 $^{+0.25}$	1.50 $^{+0.25}$	1.50 \pm 0.10	1.50 $^{+0.25}$
P ₀	4.00 \pm 0.10	4.00 \pm 0.10	4.00 \pm 0.10	4.00 \pm 0.10
P ₂	2.00 \pm 0.10	2.00 \pm 0.10	2.00 \pm 0.10	2.00 \pm 0.10
t	0.30 \pm 0.05	0.35 \pm 0.05	0.40 \pm 0.05	0.35 \pm 0.05

● SMD POWER INDUCTORS

OUTLINE:

The Surface Mount Inductors are best designed for noise/EMI/RFI filters for surface mounting application. These components contain tremendous electrode straight, solder heat resistance and outstanding solderability. These products are specially designed for flow, reflow and wave soldering required for surface mounting application.

APPLICATIONS:

For switching regulators, power amplifiers, power supplies, and noise/EMI/RFI filters.

FEATURES:

High current and inductance capacity. Specially designed for surface mounting equipment, good for high density application.

PART NUMBERING SYSTEM:

LPB □□□□ □□□ □ □
 A B C D E

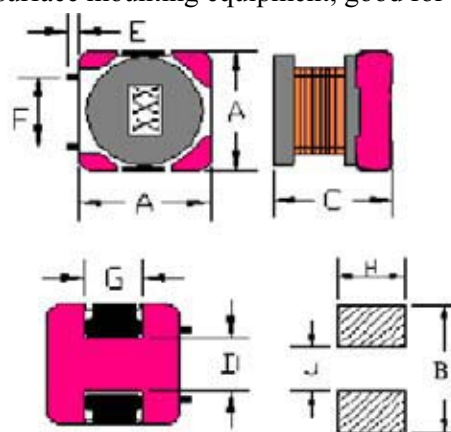
A : SMD POWER INDUCTOR SERIES(LPB TYPE)

B : DIMENSIONS

C : INDUCTANCE

D : TOLERANCE J:±5%;K:±10%;L:±15%;M:±20%

E : PACKAGE CODE R: Taping S : Bulk



DIMENSIONS & CONFIGURATIONS

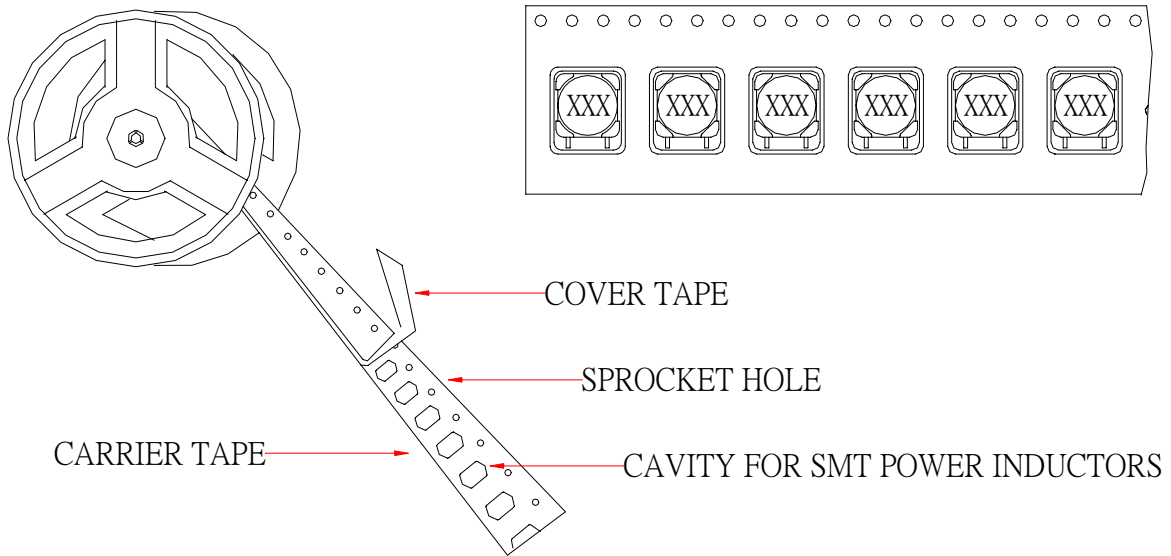
UNIT : mm

TYPE	A (MAX)	B (MAX)	C (MAX)	D (REF)	E	F	G	H	I	J	CORE	BASE
LPB0806	7.90	7.90	6.00	4.50	1.50	4.50	3.80	4.80	11.00	4.00	DR7.5X3.0	BS-010
LPB0807	7.90	7.90	7.00	4.50	1.50	4.50	3.80	4.80	11.00	4.00	DR7.5X4.0	BS-010
LPB0808	7.90	7.90	8.00	4.50	1.50	4.50	3.80	4.80	11.00	4.00	DR7.5X5.0	BS-010
LPB0809	7.90	7.90	9.00	4.50	1.50	4.50	3.80	4.80	11.00	4.00	DR7.5X6.0	BS-010
LPB1207	11.50	11.50	7.00	6.50	1.50	6.50	4.00	5.00	13.50	6.00	DR10X4.0	BS-011
LPB1208	11.50	11.50	8.00	6.50	1.50	6.50	4.00	5.00	13.50	6.00	DR10X5.2	BS-011
LPB1210	11.50	11.50	10.00	6.50	1.50	6.50	4.00	5.00	13.50	6.00	DR10X7.0	BS-011
LPB1213	11.50	11.50	13.00	6.50	1.50	6.50	4.00	5.00	13.50	6.00	DR10X10	BS-011

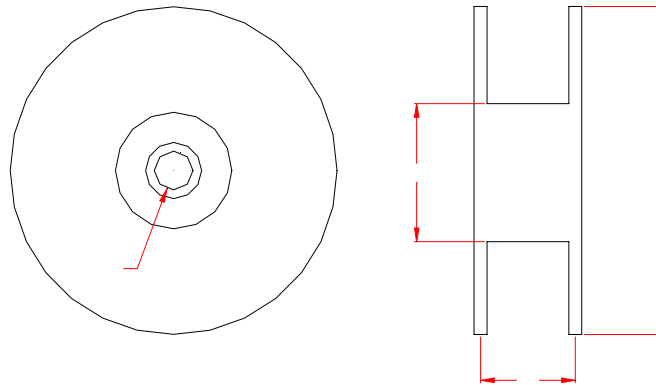
SPECIFICATION:

PARTS CODE	L uH	D.C.R.(Ohm) REF								RATED CURRENT (A) MAX							
		LPB 0806	LPB 0807	LPB 0808	LPB 0809	LPB 1207	LPB 1208	LPB 1210	LPB 1213	LPB 0806	LPB 0807	LPB 0808	LPB 0809	LPB 1207	LPB 1208	LPB 1210	LPB 1213
1R0M	1.0	0.06	0.05	0.040	0.03	0.009	0.021	0.009		2.60	2.90	3.00	3.50	9.00	5.60	20.00	
1R5M	1.5	0.07	0.06	0.045	0.04	0.010	0.022	0.014		2.30	2.60	2.80	3.00	8.00	5.20	16.00	
2R2M	2.2	0.08	0.07	0.050	0.05	0.012	0.032	0.015		2.00	2.30	1.80	2.80	7.00	5.00	14.00	
3R3M	3.3	0.09	0.08	0.055	0.06	0.015	0.039	0.020		1.50	2.00	1.60	1.80	6.40	3.90	10.00	
4R7M	4.7	0.10	0.09	0.060	0.07	0.018	0.054	0.031		1.20	1.50	1.40	1.60	5.40	3.20	8.00	
6R8M	6.8	0.15	0.13	0.065	0.08	0.027	0.075	0.036		1.10	1.20	1.20	1.40	4.60	2.80	7.00	
100M	10.0	0.18	0.16	0.075	0.09	0.038	0.101	0.047	0.040	0.90	1.10	1.00	1.20	3.80	2.40	5.50	8.00
150M	15.0	0.25	0.23	0.09	0.10	0.046	0.150	0.066	0.048	0.70	0.90	0.80	1.00	3.00	2.00	4.50	7.00
220M	22.0	0.39	0.37	0.11	0.11	0.085	0.207	0.086	0.059	0.58	0.70	0.70	0.80	2.60	1.60	3.50	6.00
330M	33.0	0.54	0.51	0.19	0.16	0.10	0.334	0.13	0.075	0.50	0.58	0.60	0.70	2.00	1.40	3.00	5.00
470M	47.0	0.68	0.64	0.23	0.18	0.14	0.472	0.19	0.097	0.40	0.50	0.50	0.60	1.60	1.00	2.60	4.00
680M	68.0	0.96	0.86	0.29	0.25	0.20		0.25	0.138	0.31	0.40	0.40	0.50	1.40		2.40	3.00
101M	100	1.38	1.27	0.48	0.40	0.28		0.38	0.207	0.27	0.31	0.30	0.40	1.20		1.90	2.40
151M	150	2.20	2.00	0.59	0.52	0.40		0.56	0.293	0.22	0.27	0.26	0.30	1.00		1.40	2.10
221M	220	2.85	2.65	0.77	0.68	0.61		0.85	0.470	0.18	0.22	0.22	0.26	0.80		1.20	1.90
331M	330	4.10	3.80	1.40	1.25	1.02		1.10	0.780	0.16	0.18	0.20	0.22	0.60		1.00	1.40
471M	470	5.65	5.06	1.80	1.64	1.27		1.80	1.080	0.14	0.16	0.19	0.20	0.50		0.80	1.10
681M	680	11.20	9.20	2.20	2.02	2.02		2.20	1.400	0.10	0.14	0.18	0.19	0.40		0.60	0.96
102M	1000	15.64	13.80	3.40	3.10	3.00		2.80	2.010	0.08	0.10	0.15	0.18	0.30		0.40	0.80
152M	1500			4.20	3.95							0.12	0.15				
222M	2200			8.50	7.95							0.10	0.12				
332M	3300			11.00	9.58							0.08	0.10				
472M	4700			13.90	11.54							0.06	0.08				
682M	6800			25.00	20.55							0.04	0.06				
103M	10000			32.80	28.90							0.02	0.04				

1. Measuring Frequency : : 1.0KHz 0.25V
2. Tolerance : J : $\pm 5\%$ K : $\pm 10\%$ L : $\pm 15\%$ M : $\pm 20\%$
3. Rated Current : The inductance should fall less than 10% of its value and the temperature rise should be less than 40°C

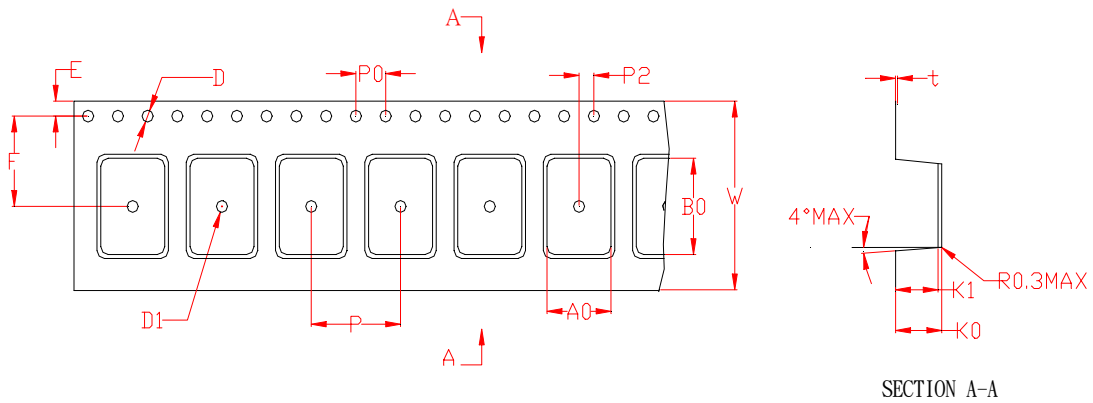


REEL DIMENSION



Item No.	Dimensions of reel				Packing Unit
	A	B	C	W	Φ330mm
LPB0806	330	100.0	13.5	16.5	1500pcs/reel
LPB0807	330	100.0	13.5	16.5	1500pcs/reel
LPB0808	330	100.0	13.5	16.5	1000 pcs/reel
LPB0809	330	100.0	13.5	16.5	1000pcs/reel
LPB1207	330	100.0	13.5	24.5	500 pcs/reel
LPB1208	330	100.0	13.5	24.5	500 pcs/reel
LPB1210	330	100.0	13.5	24.5	250 pcs/reel
LPB1213	330	100.0	13.5	24.5	250 pcs/reel

PACKAGE SPECIFICATIONS



DIMENSIONS OF EMBOSSED PLASTIC CARRIER TAPE:

SYM.	LPB0806	LPB0807	LPB0808	LPB0809	LPB1207	LPB1208	LPB1210	LPB1213
W	16.0±0.30	16.0±0.30	16.0±0.30	16.0±0.30	24.0±0.30	24.0±0.30	24.0±0.30	24.0±0.30
A_0	8.00±0.10	8.00±0.10	8.00±0.10	8.00±0.10	11.80±0.10	11.80±0.10	11.80±0.10	11.80±0.10
B_0	9.70±0.10	9.70±0.10	9.70±0.10	9.70±0.10	13.50±0.10	13.50±0.10	13.5±0.10	13.50±0.10
K_0	6.20±0.10	7.20±0.10	8.20±0.10	9.20±0.10	7.20±0.10	8.20±0.10	10.20±0.10	13.20±0.10
K_1	0.00±0.30	0.00±0.30	0.00±0.30	0.00±0.30	0.00±0.30	0.00±0.30	0.00±0.30	0.00±0.30
P	12.00±0.10	12.00±0.10	12.00±0.10	12.00±0.10	12.00±0.10	16.00±0.10	16.00±0.10	16.00±0.10
F	7.50±0.10	7.50±0.10	7.50±0.10	7.50±0.10	11.50±0.10	11.50±0.10	11.50±0.10	11.50±0.10
E	1.75±0.10	1.75±0.10	1.75±0.10	1.75±0.10	1.75±0.10	1.75±0.10	1.75±0.10	1.75±0.10
D	1.50±0.10	1.50±0.10	1.50±0.10	1.50±0.10	1.50±0.10	1.50±0.10	1.50±0.10	1.50±0.10
D_1	1.50±0.10	1.50±0.10	1.50±0.10	1.50±0.10	1.50±0.10	1.50±0.10	1.50±0.10	1.50±0.10
P_0	4.00±0.10	4.00±0.10	4.00±0.10	4.00±0.10	4.00±0.10	4.00±0.10	4.00±0.10	4.00±0.10
P_2	2.00±0.10	2.00±0.10	2.00±0.10	2.00±0.10	2.00±0.10	2.00±0.10	2.00±0.10	2.00±0.10
t	0.35±0.05	0.35±0.05	0.35±0.05	0.35±0.05	0.40±0.05	0.40±0.05	0.40±0.05	0.40±0.05

● SMD POWER INDUCTORS



FEATURES:

1. Excellent solderability and high heat resistance.
2. Excellent terminal strength.
3. Packed in embossed carrier tape and can be used by automatic mounting machine.

APPLICATIONS.

Power supply for VCR , OA equipment, LCD television set, notebook, DC to DC converters, DC to AC inverters etc.

PART NUMBERING SYSTEM

LRB □□□ □□□ □ □
 A B C D E

A : SMD POWER INDUCTOR SERIES

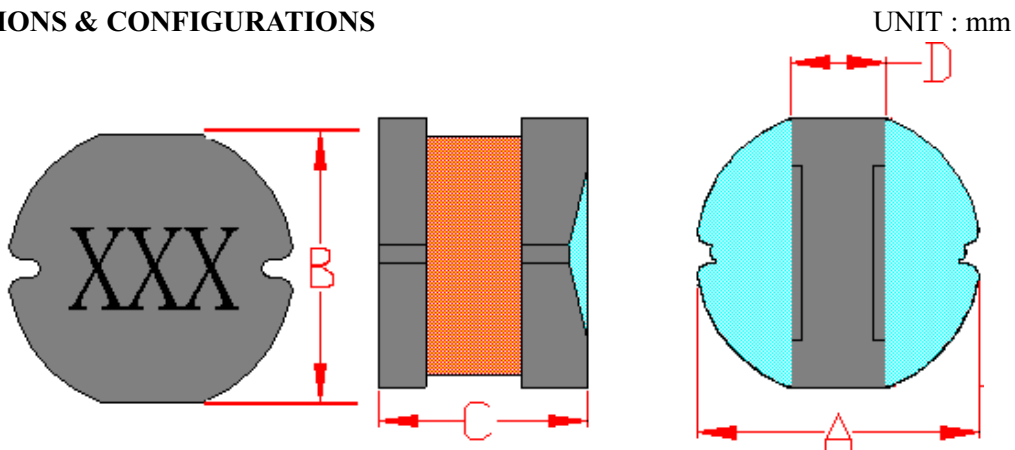
C : INDUCTANCE

E : PACKAGE CODE R : Taping S : Bulk

B : DIMENSIONS

D : TOLERANCE J:±5%;K:±10%;L:±15%;M:±20%

DIMENSIONS & CONFIGURATIONS



TYPE	A	B	C	D
LRB 043	4.5±0.2	4.0±0.2	3.2±0.3	1.4TYP
LRB 054	5.8±0.2	5.2±0.2	4.5±0.3	1.6TYP
LRB 073	7.8±0.3	7.0±0.3	3.5±0.4	2.4TYP
LRB 075	7.8±0.3	7.0±0.3	5.0±0.4	2.4TYP
LRB 104	10.0±0.3	9.0±0.3	4.0±0.5	3.1TYP
LRB 105	10.0±0.3	9.0±0.3	5.4±0.5	3.1TYP
LRB 107	10.0±0.3	9.0±0.3	6.5±0.5	3.1TYP

● **SMD POWER INDUCTORS**

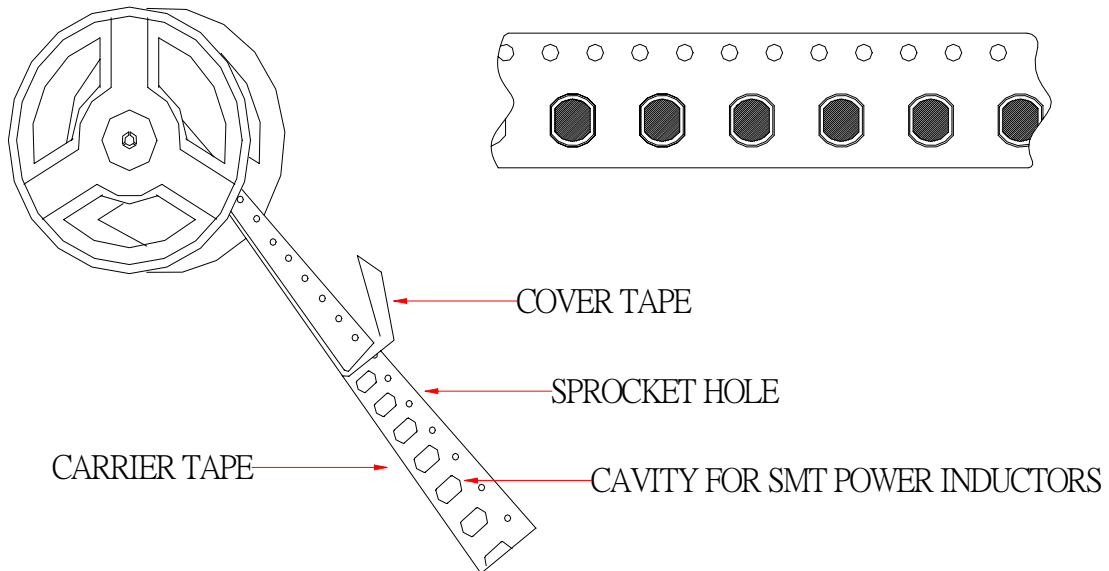
TYPE LRB043 054 073 075 104 105 107

P/N.	L uH	D.C.R.(Ohm) REF							RATED CURRENT (A) MAX							
		LRB 043	LRB 054	LRB 073	LRB 075	LRB 104	LRB 105	LRB 107	LRB 043	LRB 054	LRB 073	LRB 075	LRB 104	LRB 105	LRB 107	
1R0M	1.0	0.049							2.56							
1R5M	1.5	0.057							2.52							
1R8M	1.8	0.064							1.95							
2R2M	2.2	0.072							1.75							
2R7M	2.7	0.079							1.58							
3R3M	3.3	0.086							1.44							
3R9M	3.9	0.094							1.33							
4R7M	4.7	0.115							1.22							
5R6M	5.6	0.126							1.15							
6R8M	6.8	0.132							1.00							
8R2M	8.2	0.147							0.95							
100M	10	0.182	0.10	0.081	0.07	0.053	0.06	0.04	0.84	1.44	1.44	2.30	2.38	2.60	3.00	
120M	12	0.210	0.12	0.090	0.08	0.061	0.07	0.05	0.79	1.40	1.39	2.00	2.13	2.45	2.85	
150M	15	0.235	0.14	0.104	0.09	0.070	0.08	0.06	0.72	1.30	1.24	1.80	1.87	2.27	2.65	
180M	18	0.338	0.15	0.111	0.10	0.081	0.09	0.07	0.68	1.23	1.12	1.60	1.73	2.15	2.55	
220L	22	0.378	0.18	0.129	0.11	0.088	0.10	0.08	0.62	1.11	1.07	1.50	1.60	1.95	2.35	
270L	27	0.522	0.20	0.153	0.12	0.100	0.11	0.09	0.59	0.97	0.94	1.30	1.44	1.76	2.16	
330L	33	0.540	0.23	0.170	0.13	0.120	0.12	0.10	0.56	0.88	0.85	1.20	1.26	1.50	1.90	
390L	39	0.587	0.32	0.217	0.16	0.151	0.14	0.12	0.52	0.80	0.74	1.10	1.20	1.37	1.77	
470L	47	0.844	0.37	0.252	0.18	0.170	0.17	0.15	0.44	0.72	0.68	1.00	1.10	1.28	1.68	
560L	56	0.937	0.42	0.282	0.24	0.199	0.19	0.17	0.42	0.68	0.64	0.94	1.01	1.17	1.57	
680L	68	1.117	0.46	0.332	0.28	0.223	0.22	0.20	0.37	0.61	0.59	0.85	0.91	1.11	1.50	
820L	82		0.60	0.406	0.37	0.252	0.25	0.21		0.58	0.54	0.78	0.85	1.00	1.40	
101L	100		0.70	0.481	0.43	0.344	0.35	0.30		0.52	0.51	0.72	0.74	0.97	1.37	
21L	120		0.93	0.536	0.47	0.399	0.40	0.35		0.48	0.49	0.66	0.69	0.89	1.29	
151L	150		1.10	0.755	0.64	0.544	0.47	0.40		0.40	0.40	0.58	0.61	0.78	1.18	
181L	180		1.38	1.022	0.71	0.621	0.63	0.50		0.38	0.36	0.51	0.56	0.72	1.12	
221L	220		1.57	1.200	0.96	0.721	0.73	0.60		0.35	0.31	0.49	0.53	0.66	1.06	
271K	270			1.306	1.11	0.949	0.97	0.80			0.29	0.42	0.45	0.57	0.97	
331K	330			1.495	1.26	1.100	1.15	1.00			0.27	0.40	0.42	0.52	0.92	
391K	390				1.77	1.245	1.30	0.10				0.36	0.38	0.48	0.88	
471K	470				1.96	1.526	1.48	1.25				0.34	0.35	0.42	0.82	
561K	560					1.904	1.90	1.50					0.32	0.33	0.73	
681K	680						2.25	1.85						0.28	0.68	
821K	820						2.55	2.00						0.24	0.64	
102K	1000							2.50							0.50	

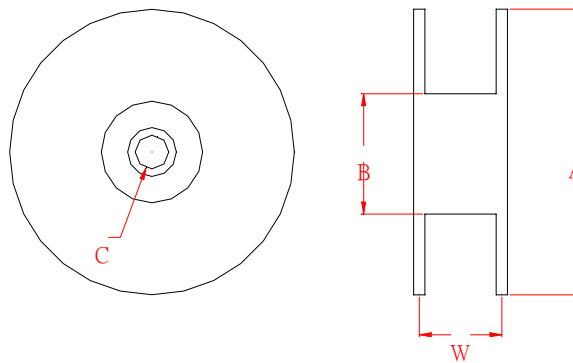
1. Measuring Frequency : 1.0~8.2uH : 7.96MHz 10~82uH : 2.52MHz 100~820uH : 1KHz0.25V

2. Tolerance : J : ±5% K : ±10% L : ±15% M : ±20%

3. Rated Current : The inductance should fall less than 10% of its value and the temperature rise should be less than 40°C

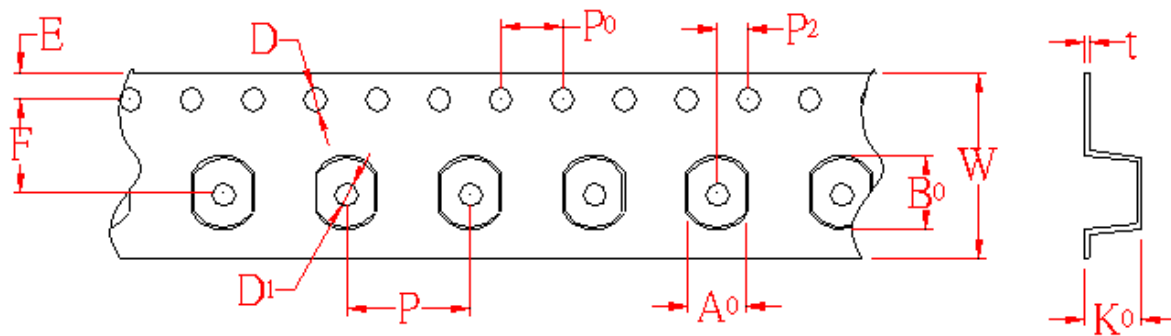


REEL DIMENSION



Item No.	Dimensions of reel				Packing Unit Φ330mm
	A	B	C	W	
LRB 043	330	100.0 \pm 2.00	13.50 \pm 0.50	12.0	2000 pcs/reel
LRB 054	330	100.0 \pm 2.00	13.50 \pm 0.50	12.0	1500 pcs/reel
LRB 073	330	100.0 \pm 2.00	13.50 \pm 0.50	16.0	1500 pcs/reel
LRB 075	330	100.0 \pm 2.00	13.50 \pm 0.50	16.0	1000 pcs/reel
LRB 104	330	100.0 \pm 2.00	13.50 \pm 0.50	24.0	500 pcs/reel
LRB 105	330	100.0 \pm 2.00	13.50 \pm 0.50	24.0	500 pcs/reel
LRB 107	330	100.0 \pm 2.00	13.50 \pm 0.50	24.0	250 pcs/reel

PACKAGE SPECIFICATIONS



DIMENSIONS OF EMBOSSED PLASTIC CARRIER TAPE

SYM.	LRB 043	LRB 054	LRB 073	LRB 075	LRB 104	LRB 105
W	12.0 \pm 0.30	12.0 \pm 0.30	16.0 \pm 0.30	16.0 $^{+0.30}_{-0.10}$	24.0 \pm 0.30	24.0 \pm 0.30
A ₀	4.20 \pm 0.10	5.60 \pm 0.10	7.30 \pm 0.10	7.30 \pm 0.10	9.30 \pm 0.10	9.30 \pm 0.10
B ₀	4.60 \pm 0.10	6.20 \pm 0.10	8.10 \pm 0.10	8.00 \pm 0.10	10.3 \pm 0.10	10.2 \pm 0.10
K ₀	3.60 \pm 0.10	4.80 \pm 0.10	4.00 \pm 0.10	5.30 \pm 0.10	4.50 \pm 0.10	6.10 \pm 0.10
P	8.00 \pm 0.10	8.00 \pm 0.10	12.00 \pm 0.10	12.00 \pm 0.10	12.00 \pm 0.10	16.00 \pm 0.10
F	5.50 \pm 0.10	5.50 \pm 0.10	7.50 \pm 0.10	7.50 \pm 0.10	11.50 \pm 0.10	11.50 \pm 0.10
E	1.75 \pm 0.10	1.75 \pm 0.10	1.75 \pm 0.10	1.75 \pm 0.10	1.75 \pm 0.10	1.75 \pm 0.10
D	1.50 $^{+0.10}_{-0.00}$	1.50 $^{+0.10}_{-0.00}$	1.50 $^{+0.10}_{-0.00}$	1.50 $^{+0.10}_{-0.00}$	1.50 $^{+0.10}_{-0.00}$	1.50 $^{+0.10}_{-0.00}$
D ₁	1.50 $^{+0.25}_{-0.00}$	1.50 $^{+0.25}_{-0.00}$	1.50 $^{+0.25}_{-0.00}$	1.50 $^{+0.25}_{-0.00}$	1.50 $^{+0.25}_{-0.00}$	1.50 $^{+0.25}_{-0.00}$
P ₀	4.00 \pm 0.10	4.00 \pm 0.10	4.00 \pm 0.10	4.00 \pm 0.10	4.00 \pm 0.10	4.00 \pm 0.10
P ₂	2.00 \pm 0.10	2.00 \pm 0.10	2.00 \pm 0.10	2.00 \pm 0.10	2.00 \pm 0.10	2.00 \pm 0.10
t	0.30 \pm 0.05	0.30 \pm 0.05	0.30 \pm 0.05	0.30 \pm 0.05	0.30 \pm 0.05	0.30 \pm 0.05

● SMD POWER INDUCTORS

FEATURES:

The Surface Mount Inductors are designed for the smallest possible size and high performance. They are with high energy storage and very Low resistance making them the ideal inductors for DC-DC conversion

in the following applications.

APPLICATIONS:

Notebook Computers, PD As, Step-up and step-down converters, Flash Memory programs, etc.

PART NUMBERING SYSTEM

LRR □□□ □□□ □ □
 A B C D E

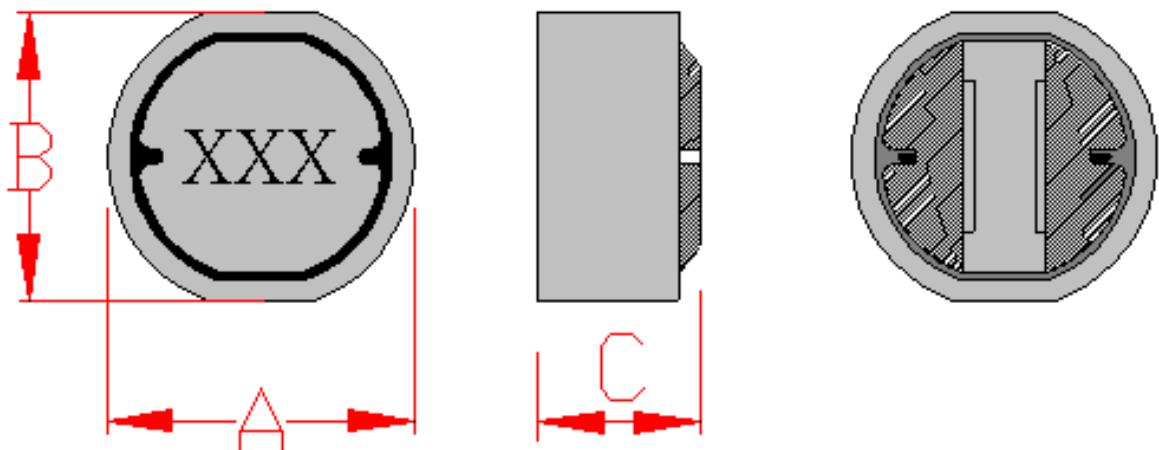
A : SMD POWER INDUCTOR SERIES(LRR TYPE)

B : DIMENSIONS C : INDUCTANCE

D : TOLERANCE J:±5%;K:±10%;L:±15%;M:±20%

E : PACKAGE CODE R : Taping S : Bulk

SHAPE :



DIMENSIONS & CONFIGURATIONS

UNIT : mm

TYPE	A (MAX)	B (REF)	C (MAX)
LRR063	6.5	6.0	3.5
LRR075	7.9	7.0	5.8
LRR103	10.3	9.0	3.8
LRR105	10.3	9.0	5.8
LRR124	13.0	11.8	4.3
LRR125	13.0	11.8	5.8

SPECIFICATIONS:

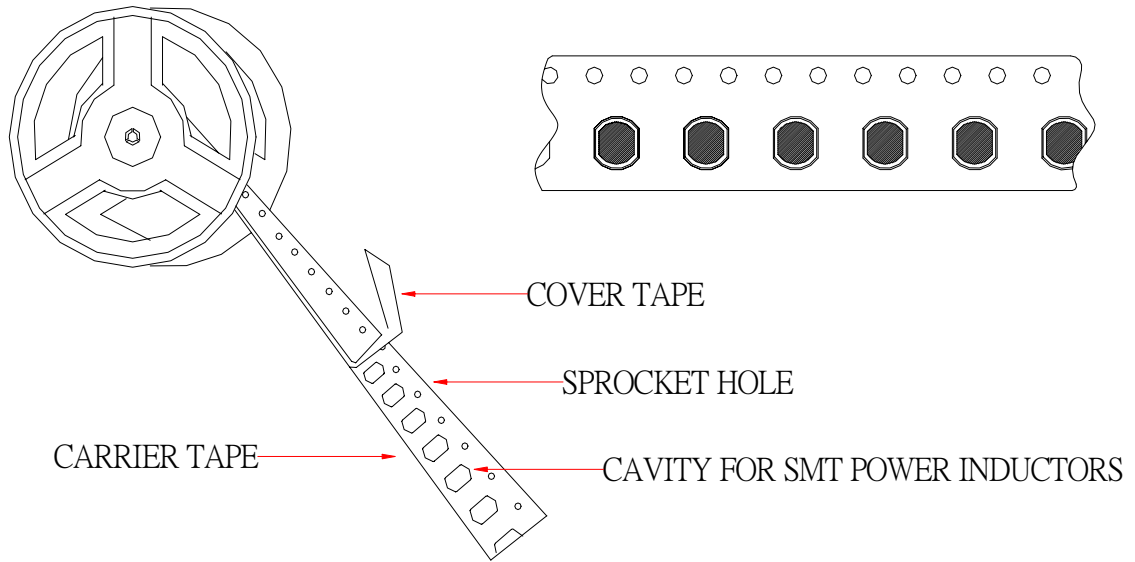
PARTS CODE	INDUCTANCE uH	D.C.R.(Ohm) REF						RATED CURRENT (A) MAX					
		LRR 063	LRR 075	LRR 103	LRR 105	LRR 124	LRR 125	LRR 063	LRR 075	LRR 103	LRR 105	LRR 124	LRR 125
1R0M	1.0	0.05	0.03					2.30					
1R2M	1.2	0.06	0.03					2.00					
1R5M	1.5	0.07	0.04					1.80					
1R8M	1.8	0.08	0.05					1.60	2.30				
2R2M	2.2	0.09	0.06					1.50	2.00				
2R7M	2.7	0.10	0.07	0.053				1.30	1.80	2.30			
3R3M	3.3	0.11	0.08	0.061				1.20	1.60	2.00			
3R9M	3.9	0.12	0.09	0.070				1.10	1.50	1.80			
4R7M	4.7	0.13	0.10	0.081				1.00	1.30	1.60			
5R6M	5.6	0.16	0.11	0.088	0.053			0.94	1.20	1.50	2.38		
6R8M	6.8	0.18	0.12	0.100	0.061			0.85	1.10	1.30	2.13		
8R2M	8.2	0.24	0.13	0.120	0.070	0.053		0.78	1.00	1.20	1.87	2.38	
100M	10.0	0.28	0.16	0.151	0.081	0.061	0.06	0.72	0.94	1.10	1.73	2.13	2.60
120M	12.0	0.37	0.18	0.170	0.088	0.070	0.07	0.66	0.85	1.00	1.60	1.87	2.45
150M	15.0	0.43	0.24	0.199	0.100	0.081	0.08	0.58	0.78	0.94	1.44	1.73	2.27
180M	18.0	0.47	0.28	0.223	0.120	0.088	0.09	0.51	0.72	0.85	1.26	1.60	2.15
220M	22.0	0.64	0.37	0.252	0.151	0.100	0.10	0.49	0.66	0.78	1.20	1.44	1.95
270M	27.0	0.71	0.43	0.344	0.170	0.120	0.11	0.42	0.58	0.72	1.10	1.26	1.76
330M	33.0	0.96	0.47	0.399	0.199	0.151	0.12	0.40	0.51	0.66	1.01	1.20	1.50
390M	39.0	1.11	0.64	0.544	0.223	0.170	0.14	0.36	0.49	0.58	0.91	1.10	1.37
470M	47.0	1.26	0.71	0.621	0.252	0.199	0.17	0.34	0.42	0.51	0.85	1.01	1.28
560M	56.0		0.96	0.721	0.344	0.223	0.19		0.40	0.49	0.74	0.91	1.17
680M	68.0		1.11	0.949	0.399	0.252	0.22		0.36	0.42	0.69	0.85	1.11
20M	82.0		1.26	1.100	0.544	0.344	0.25		0.34	0.40	0.61	0.74	1.00
101M	100.0			1.245	0.621	0.399	0.35			0.36	0.56	0.69	0.97
121M	120.0			1.526	0.721	0.544	0.40			0.34	0.53	0.61	0.89
151M	150.0				0.949	0.621	0.47				0.45	0.56	0.78
181M	180.0				1.100	0.721	0.63				0.42	0.53	0.72
221M	220.0				1.245	0.949	0.73				0.38	0.45	0.66
271M	270.0				1.526	1.100	0.97				0.35	0.42	0.57
331M	330.0				1.904	1.245	1.15				0.32	0.38	0.52
391M	390.0					1.526	1.30					0.35	0.48
471M	470.0					1.904	1.48					0.32	0.42
561M	560.0						1.90						0.33
681M	680.0						2.25						0.28
821M	820.0						2.55						0.24

1. Measuring Frequency : 1.0~8.2uH : 7.96MHz 10~82uH : 2.52MHz 100~820uH : 1KHz0.25V

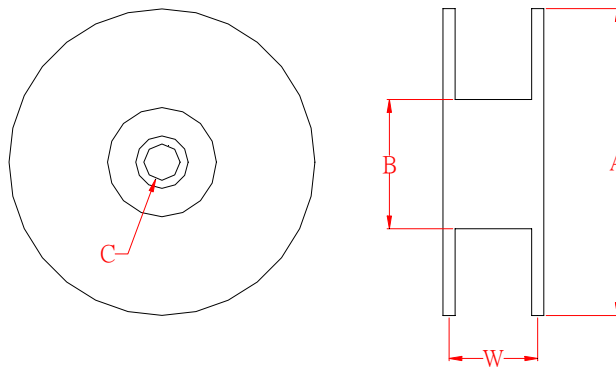
2.Tolerance : J : ±5% K : ±10% L : ±15% M : ±20%

3..Rated Current : The inductance should fall less than 10% of its value and the temperature rise should be less than 40°C

● SMD POWER INDUCTORS

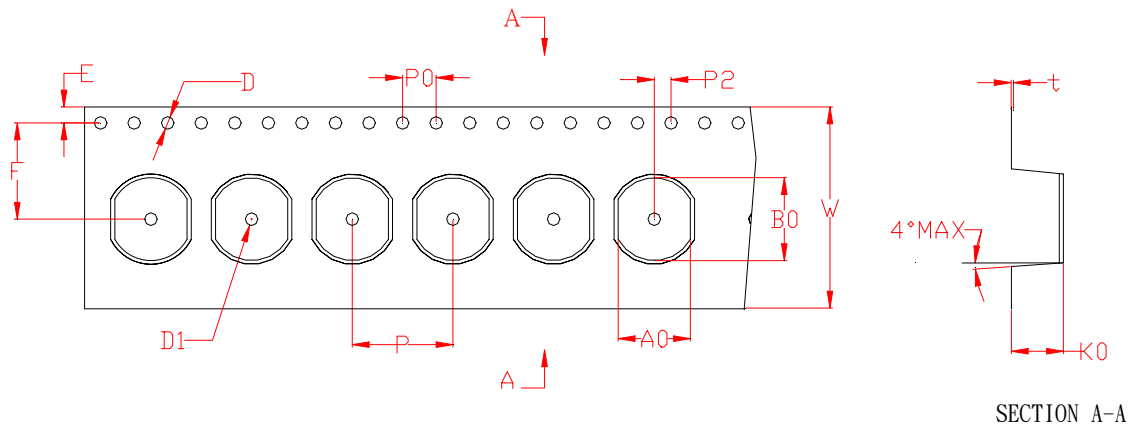


REEL DIMENSION



Item No.	Dimensions of reel				Packing Unit
	A	B	C	W	Φ330mm
LRR063	330	100.0	13.5	12.5	1500pcs/reel
LRR075	330	100.0	13.5	12.5	1000pcs/reel
LRR103	330	100.0	13.5	16.5	1000pcs/reel
LRR105	330	100.0	13.5	16.5	1000pcs/reel
LRR124	330	100.0	13.5	24.5	500pcs/reel
LRR125	330	100.0	13.5	24.5	500pcs/reel

PACKAGE SPECIFICATIONS



DIMENSIONS OF EMBOSSED PLASTIC CARRIER TAPE

SYM.	LRR063	LRR075	LRR103	LRR105	LRR124	LRR125
W	12.0 \pm 0.10	16.0 \pm 0.10	24.0 \pm 0.10	24.0 \pm 0.10	24.0 \pm 0.10	24.0 \pm 0.10
A ₀	6.00 \pm 0.10	7.30 \pm 0.10	9.60 \pm 0.10	9.60 \pm 0.10	11.90 \pm 0.10	11.90 \pm 0.10
B ₀	6.50 \pm 0.10	8.00 \pm 0.10	10.3 \pm 0.10	10.3 \pm 0.10	13.00 \pm 0.10	13.00 \pm 0.10
K ₀	3.50 \pm 0.10	5.30 \pm 0.10	3.80 \pm 0.10	5.80 \pm 0.10	4.20 \pm 0.10	5.80 \pm 0.10
K ₁	0 \pm 0.10	0 \pm 0.10	0 \pm 0.10	0 \pm 0.10	0 \pm 0.10	0 \pm 0.10
P	8.00 \pm 0.10	12.00 \pm 0.10	12.00 \pm 0.10	12.00 \pm 0.10	12.00 \pm 0.10	12.00 \pm 0.10
F	5.50 \pm 0.10	7.50 \pm 0.10	11.50 \pm 0.10	11.50 \pm 0.10	11.50 \pm 0.10	11.50 \pm 0.10
E	1.75 \pm 0.10	1.75 \pm 0.10	1.75 \pm 0.10	1.75 \pm 0.10	1.75 \pm 0.10	1.75 \pm 0.10
D	1.50 ^{+0.10}	1.50 ^{+0.10}	1.50 ^{+0.10}	1.50 ^{+0.10}	1.50 ^{+0.10}	1.50 ^{+0.10}
D ₁	1.50 ^{+0.25}	1.50 \pm 0.10	1.50 \pm 0.10	1.50 ^{+0.25}	1.50 \pm 0.10	1.50 \pm 0.10
P ₀	4.00 \pm 0.10	4.00 \pm 0.10	4.00 \pm 0.10	4.00 \pm 0.10	4.00 \pm 0.10	4.00 \pm 0.10
P ₂	2.00 \pm 0.10	2.00 \pm 0.10	2.00 \pm 0.10	2.00 \pm 0.10	2.00 \pm 0.10	2.00 \pm 0.10
t	0.35 \pm 0.05	0.40 \pm 0.05	0.40 \pm 0.05	0.35 \pm 0.05	0.40 \pm 0.05	0.40 \pm 0.05

● SMD POWER INDUCTORS

FEATURES:

1. Excellent solderability and high heat resistance.
2. Excellent terminal strength.
3. Packed in embossed carrier tape and can be used by automatic mounting machine.

APPLICATIONS:

Power supply for VCR , OA equipment, LCD television set, notebook, DC to DC converters, DC to AC inverters etc.

PART NUMBERING SYSTEM

LSR □□□ □□□ □ □
 A B C D E

A : SMD POWER INDUCTOR SERIES

B : DIMENSIONS

C : INDUCTANCE

D : TOLERANCE

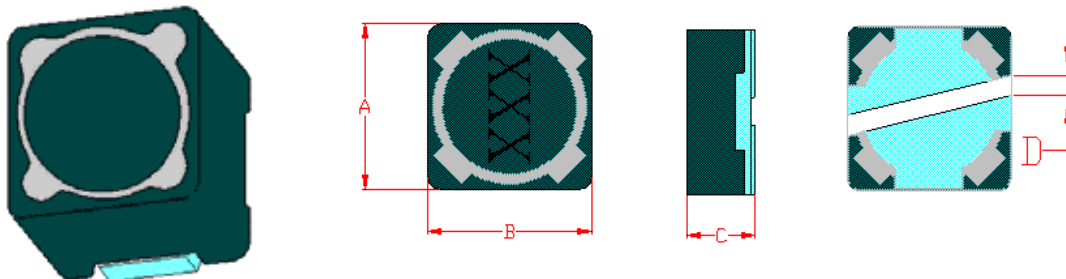
J:±5%;K:±10%;L:±15%;M:±20%

E : PACKAGE CODE R : Taping S : Bulk

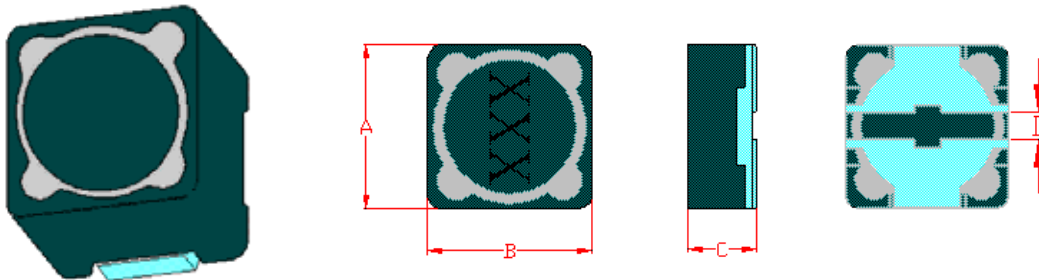
DIMENSIONS & CONFIGURATIONS

UNIT : mm

LSR073&074:



LSR124&125&127:



TYPE	A	B	C	D
LSR 073	7.50MAX	7.50MAX	3.50MAX	1.0REF
LSR 074	7.50MAX	7.50MAX	4.50MAX	1.0REF
LSR 124	13.0MAX	13.0MAX	5.00MAX	2.0REF
LSR 125	13.0MAX	13.0MAX	6.00MAX	2.0REF
LSR 127	13.0MAX	13.0MAX	8.00MAX	2.0REF

● **SMD POWER INDUCTORS**

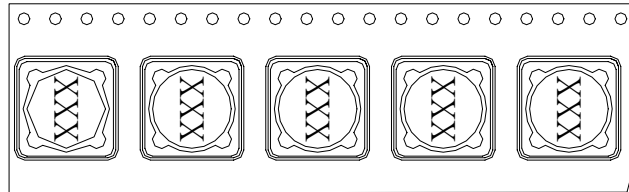
TYPE LSR073 LSR074 LSR 124 125 127:

PARTS CODE	INDUCTANCE uH	D.C.R.(Ohms) REF					RATED CURRENT (A) MAX				
		LSR 073	LSR 074	LSR 124	LSR 125	LSR 127	LSR 073	LSR 074	LSR 124	LSR 125	LSR 127
1R2M	1.2 \pm 20%	0.05	0.04	0.015			3.29	3.50	6.50		
1R5M	1.5 \pm 20%	0.06	0.05	0.020			3.12	3.25	6.00		
1R8M	1.8 \pm 20%	0.07	0.06	0.024	0.018		2.90	3.10	5.79	6.45	
2R2M	2.2 \pm 20%	0.08	0.07	0.028	0.022		2.79	2.89	5.50	5.89	
2R7M	2.7 \pm 20%	0.09	0.08	0.032	0.028	0.015	2.68	2.75	5.22	5.43	5.55
3R3M	3.3 \pm 20%	0.10	0.09	0.036	0.031	0.018	2.46	2.49	4.97	5.10	5.19
3R9M	3.9 \pm 20%	0.12	0.10	0.040	0.033	0.021	2.35	2.39	4.65	4.75	4.94
4R7M	4.7 \pm 20%	0.14	0.13	0.044	0.038	0.028	2.22	2.46	4.21	4.48	4.61
5R6M	5.6 \pm 20%	0.16	0.15	0.049	0.040	0.030	2.15	2.25	3.92	4.12	4.18
6R8M	6.8 \pm 20%	0.18	0.17	0.053	0.045	0.034	2.03	2.13	3.60	3.84	3.86
8R2M	8.2 \pm 20%	0.20	0.19	0.060	0.050	0.037	1.95	1.95	3.41	3.50	3.65
100M	10 \pm 20%	0.22	0.23	0.069	0.053	0.041	1.84	1.86	2.96	3.05	3.46
120M	12 \pm 20%	0.24	0.25	0.078	0.062	0.052	1.71	1.75	2.67	2.75	3.12
150M	15 \pm 20%	0.26	0.28	0.085	0.070	0.056	1.47	1.48	2.45	2.56	2.97
180M	18 \pm 20%	0.28	0.31	0.094	0.080	0.065	1.31	1.34	2.23	2.38	2.82
220M	22 \pm 20%	0.32	0.34	0.106	0.088	0.074	1.23	1.25	2.10	2.05	2.67
270M	27 \pm 20%	0.34	0.38	0.115	0.100	0.081	1.12	1.15	1.96	1.87	2.53
330M	33 \pm 20%	0.37	0.42	0.136	0.120	0.098	0.96	0.97	1.73	1.73	2.35
390M	39 \pm 20%	0.41	0.45	0.168	0.150	0.107	0.88	0.91	1.51	1.60	2.20
470M	47 \pm 20%	0.46	0.49	0.195	0.170	0.114	0.75	0.88	1.30	1.42	2.00
560M	56 \pm 20%	0.50	0.51	0.221	0.205	0.140	0.69	0.75	1.12	1.26	1.80
680M	68 \pm 20%	0.55	0.55	0.251	0.223	0.160	0.65	0.70	0.97	1.18	1.75
820M	82 \pm 20%	0.74	0.59	0.300	0.287	0.200	0.60	0.68	0.75	1.10	1.65
101K	100 \pm 10%	0.84	0.61	0.359	0.344	0.227	0.52	0.60	0.64	1.02	1.53
121K	120 \pm 10%	0.96	0.66	0.396	0.396	0.277	0.46	0.52	0.58	0.91	1.42
151K	150 \pm 10%	1.40	0.88	0.557	0.544	0.324	0.42	0.46	0.53	0.84	1.32
181K	180 \pm 10%	1.62	1.98	0.689	0.653	0.386	0.36	0.42	0.45	0.74	1.15
221K	220 \pm 10%	1.84	1.17	0.758	0.721	0.540	0.34	0.36	0.40	0.69	1.00
271K	270 \pm 10%	2.59	1.64	1.105	0.949	0.643	0.32	0.34	0.36	0.61	0.85
331K	330 \pm 10%	2.93	1.85	1.359	1.133	0.731	0.30	0.32	0.30	0.58	0.72
391K	390 \pm 10%	3.29	2.85	1.645	1.352	0.953	0.26	0.29	0.27	0.53	0.53
471K	470 \pm 10%	4.67	3.10	1.795	1.569	1.113	0.24	0.26	0.21	0.45	0.43
561K	560 \pm 10%	5.22	3.62		1.820	1.322	0.22	0.23		0.40	0.35
681K	680 \pm 10%	6.45	4.63		2.100	1.542	0.19	0.22		0.36	0.28
821K	820 \pm 10%	7.31	5.20			1.710	0.18	0.20			0.22
102K	1000 \pm 10%					1.950					0.19

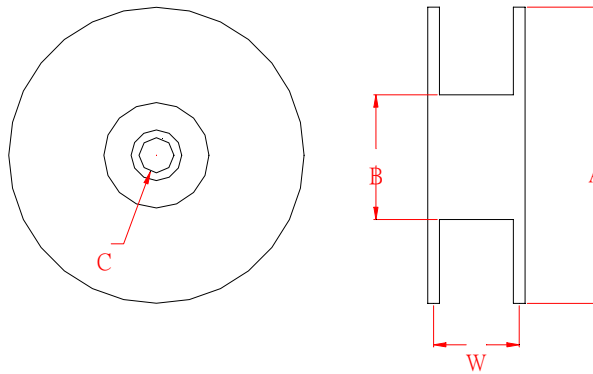
1. Measuring Frequency : 1.0~8.2uH : 7.96MHz 10~82uH : 2.52MHz 100~820uH : 1KHz 0.25V

2. Tolerance : J : \pm 5% K : \pm 10% L : \pm 15% M : \pm 20%

3. Rated Current : The inductance should fall less than 10% of its value and the temperature rise should be less than 40°C

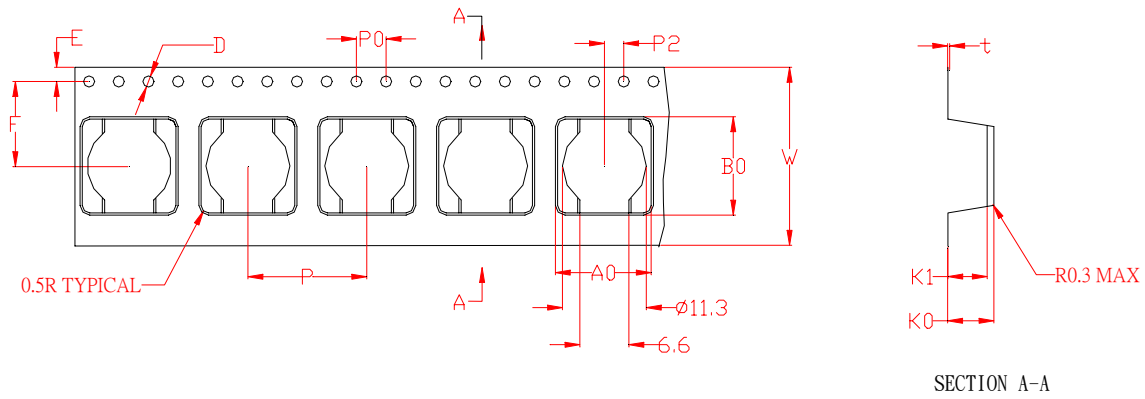


REEL DIMENSION



Item No.	Dimensions of reel				Packing Unit
	A	B	C	W	
LSR 073	330mm	100mm	13mm	16.5mm	2000 pcs/reel
LSR 074	330mm	100mm	13mm	16.5mm	1500 pcs/reel
LSR 124	330mm	100mm	13mm	24.5mm	500 pcs/reel
LSR 125	330mm	100mm	13mm	24.5mm	500pcs/reel
LSR 127	330mm	100mm	13mm	24.5mm	500pcs/reel

PACKAGE SPECIFICATIONS



DIMENSIONS OF EMBOSSED PLASTIC CARRIER TAPE

SYM.	LSR 073	LSR 074	LSR 124	LSR 125	LSR 127
W	16.0±0.30	16.0±0.30	24.0±0.30	24.0±0.30	24.0±0.30
A ₀	7.60±0.10	7.60±0.10	12.60±0.10	12.60±0.10	12.60±0.10
B ₀	7.60±0.10	7.60±0.10	12.60±0.10	12.60±0.10	12.60±0.10
K ₀	3.60±0.10	4.60±0.10	5.50±0.10	6.70±0.10	8.70±0.10
K ₁	0.00±0.10	0.00±0.10	5.00±0.10	6.20±0.10	8.20±0.10
P	12.00±0.10	12.00±0.10	16.00±0.10	16.00±0.10	16.00±0.10
F	7.50±0.10	7.50±0.10	11.50±0.10	11.50±0.10	11.50±0.10
E	1.75±0.10	1.75±0.10	1.75±0.10	1.75±0.10	1.75±0.10
D	1.50 ^{+0.10} _{-0.00}	1.50 ^{+0.10} _{-0.00}	1.50 ^{+0.10} _{-0.00}	1.50 ^{+0.10} _{-0.00}	1.50 ^{+0.10} _{-0.00}
D ₁	0.00 ^{+0.25} _{-0.00}	0.00 ^{+0.25} _{-0.00}	0.00 ^{+0.25} _{-0.00}	0.00 ^{+0.25} _{-0.00}	0.00 ^{+0.25} _{-0.00}
P ₀	4.00±0.10	4.00±0.10	4.00±0.10	4.00±0.10	4.00±0.10
P ₂	2.00±0.10	2.00±0.10	2.00±0.10	2.00±0.10	2.00±0.10
t	0.40±0.05	0.40±0.05	0.40±0.05	0.40±0.05	0.40±0.05

● SMD POWER INDUCTORS

FEATURES:

The Surface Mount Inductors are designed for the smallest possible size and high performance. They are with high energy storage and very Low resistance making them the ideal inductors for DC-DC conversion

in the following applications.

APPLICATIONS:

Notebook Computers, PD As, Step-up and step-down converters, Flash Memory programmes, etc.

PART NUMBERING SYSTEM

LPI □□□ □□□ □ □
 A B C D E

A : SMD POWER INDUCTOR SERIES(LPI TYPE)

B : DIMENSIONS C : INDUCTANCE

D : TOLERANCE J:±5%;K:±10%;L:±15%;M:±20%

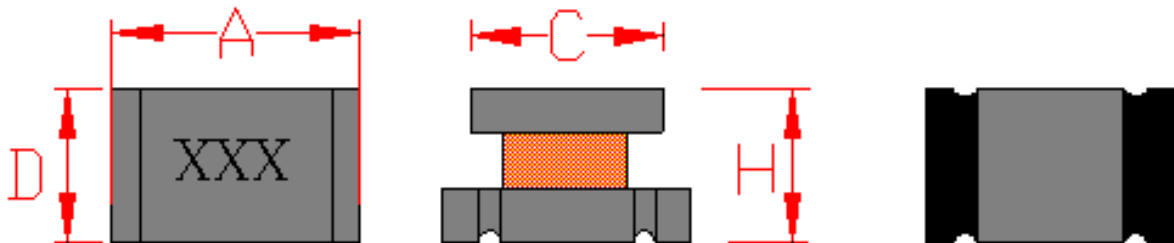
E : PACKAGE CODE R : Taping S : Bulk

SHAPE :

LPI TYPE:

DIMENSIONS & CONFIGURATIONS

UNIT : mm



TYPE	A (±0.2)	C (REF)	D (±0.2)	H (±0.2)
LPI021	2.0	1.8	1.5	1.7
LPI031	3.2	3.0	1.6	1.8
LPI032	3.2	3.0	2.5	2.0
LPI043	4.5	4.0	3.2	2.5
LPI065	5.7	5.0	5.0	4.5

● SMD POWER INDUCTORS

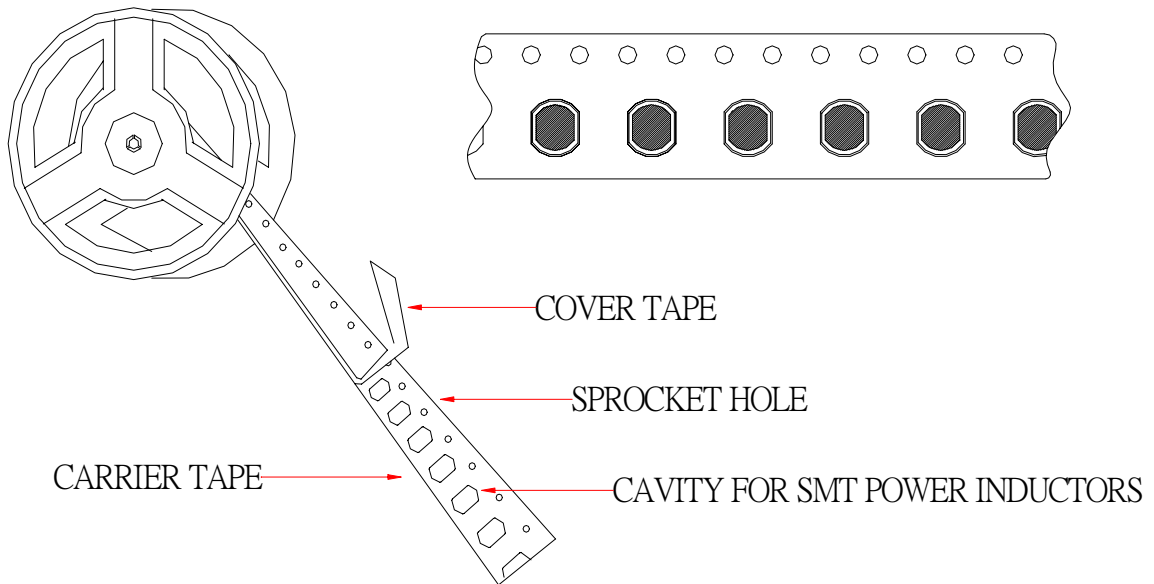
TYPE LPI021 LPI031 LPI032 LPI043 LPI065

PARTS CODE	INDUCTANCE μ H	D.C.R.(Ohm) REF					RATED CURRENT (A) MAX				
		LPI 021	LPI 031	LPI 032	LPI 043	LPI 065	LPI 021	LPI 031	LPI 032	LPI 043	LPI 065
1R0M	1.0	1.50	1.00	0.70			0.25	0.35	0.40		
1R2M	1.2	1.60	1.10	0.75			0.22	0.32	0.39		
1R5M	1.5	1.80	1.20	0.85			0.20	0.29	0.37		
1R8M	1.8	2.00	1.30	0.90			0.18	0.26	0.35		
2R2M	2.2	2.10	1.50	1.00			0.17	0.25	0.32		
2R7M	2.7	2.50	1.60	1.10	0.70		0.15	0.22	0.29	0.80	
3R3M	3.3	2.80	1.80	1.20	0.75		0.14	0.20	0.26	0.65	
3R9M	3.9	3.30	2.00	1.30	0.85		0.13	0.18	0.25	0.55	
4R7M	4.7	3.70	2.10	1.50	0.90		0.12	0.17	0.22	0.50	
5R6M	5.6	5.00	2.50	1.60	1.00		0.11	0.15	0.20	0.45	
6R8M	6.8	5.60	2.80	1.80	1.10		0.08	0.14	0.18	0.40	
8R2M	8.2	6.40	3.30	2.00	1.20		0.07	0.13	0.17	0.39	
100M	10.0	7.00	3.70	0.5	1.30	0.08	0.065	0.12	0.15	0.37	1.68
120M	12.0	8.00	5.00	2.50	1.50	0.11	0.060	0.11	0.14	0.35	1.52
150M	15.0	9.00	5.60	2.80	1.60	0.13	0.055	0.08	0.13	0.32	1.33
180M	18.0	10.00	6.40	3.30	1.80	0.15	0.050	0.07	0.12	0.29	1.20
220M	22.0	10.50	7.00	3.70	2.00	0.20	0.045	0.065	0.11	0.26	1.07
270M	27.0	11.00	8.00	5.00	2.10	0.22	0.042	0.060	0.08	0.25	0.96
330M	33.0	15.00	9.00	5.60	2.50	0.25	0.040	0.055	0.07	0.22	0.91
390M	39.0	17.00	10.00	6.40	2.80	0.34	0.038	0.050	0.065	0.20	0.77
470M	47.0	21.00	10.50	7.00	3.30	0.39	0.034	0.045	0.060	0.18	0.76
560M	56.0	23.00	11.00	8.00	3.70	0.50	0.030	0.042	0.055	0.17	0.68
680M	68.0	27.00	15.00	9.00	5.00	0.55	0.027	0.040	0.050	0.15	0.61
820M	82.0	29.00	17.00	10.00	5.60	0.74	0.023	0.038	0.045	0.14	0.57
101M	100.0	32.00	21.00	10.50	6.40	0.84	0.020	0.034	0.042	0.13	0.50
121M	120.0	38.00	23.00	11.00	7.00	0.96	0.018	0.030	0.040	0.12	0.49
51M	150.0	35.00	27.00	15.00	8.00	1.42	0.015	0.027	0.038	0.11	0.43
181M	180.0	45.00	29.00	17.00	9.00	1.62	0.013	0.023	0.034	0.08	0.39
221M	220.0	50.00	32.00	21.00	10.00	1.84	0.012	0.020	0.030	0.07	0.35
271M	270.0	56.00	38.00	23.00	11.00	2.59	0.010	0.018	0.027	0.065	0.32
331M	330.0	60.50	35.00	27.00	15.00	2.93	0.009	0.015	0.023	0.060	0.30
391M	390.0	67.00	45.00	29.00	17.00	3.29	0.008	0.014	0.020	0.055	0.26
471M	470.0	80.00	50.00	32.00	21.00	4.67	0.007	0.013	0.018	0.050	0.24
561M	560.0	94.00	56.00	38.00	23.00	5.22	0.006	0.012	0.015	0.045	0.22
681M	680.0	105.0	60.50	35.00	27.00	6.47	0.005	0.011	0.012	0.040	0.19
821M	820.0	120.0	67.00	45.00	29.00	7.31	0.004	0.010	0.010	0.035	0.18

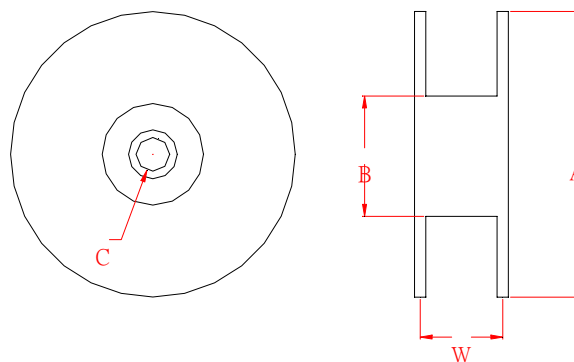
1. Measuring Frequency : 1.0~8.2 μ H : 7.96MHz 10~82 μ H : 2.52MHz 100~820 μ H : 1KHz0.25V

2.Tolerance : J : \pm 5% K : \pm 10% L : \pm 15% M : \pm 20%

3..Rated Current : The inductance should fall less than 10% of its value and the temperature rise should be less than 40°C

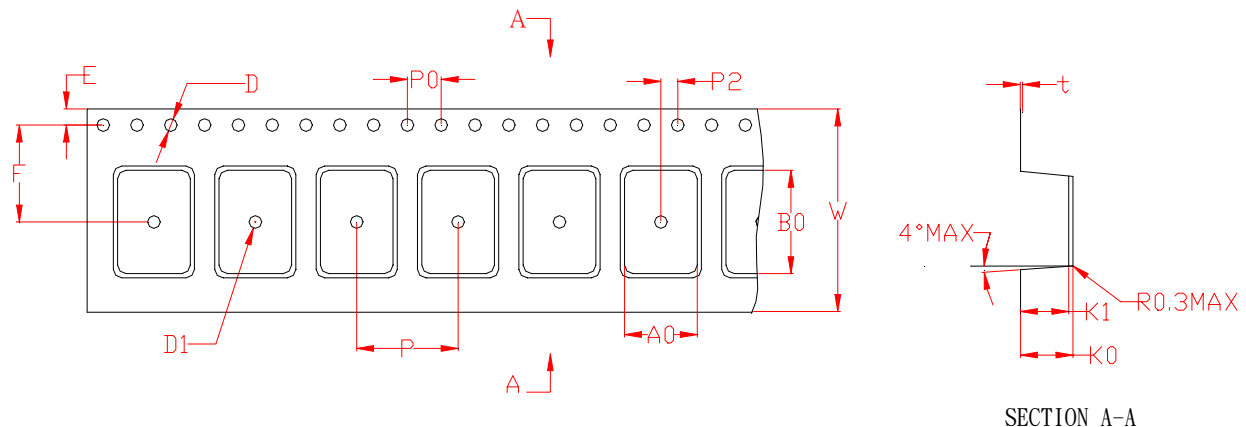


REEL DIMENSION



Item No.	Dimensions of reel				Packing Unit
	A	B	C	W	Φ330mm
LPI021	330	100.0	13.5	8.5	4000 pcs/reel
LPI031	330	100.0	13.5	12.5	3000 pcs/reel
LPI032	330	100.0	13.5	12.5	2000 pcs/reel
LPI043	330	100.0	13.5	12.5	1500 pcs/reel
LPI065	330	100.0	13.5	16.5	1000 pcs/reel

PACKAGE SPECIFICATIONS



DIMENSIONS OF EMBOSSED PLASTIC CARRIER TAPE

SYM.	LPI021	LPI031	LPI032	LPI043	LPI065
W	8.0±0.10	12.0±0.10	12.0±0.10	12.0±0.10	16.0±0.10
A ₀	1.70±0.10	1.80±0.10	2.20±0.10	3.40±0.10	5.20±0.10
B ₀	2.20±0.10	3.40±0.10	3.40±0.10	4.70±0.10	6.00±0.10
K ₀	1.90±0.10	2.00±0.10	2.70±0.10	2.80±0.10	4.80±0.10
K ₁	0±0.10	0±0.10	0±0.10	0±0.10	0±0.10
P	4.00±0.10	4.00±0.10	4.00±0.10	8.00±0.10	8.00±0.10
F	3.50±0.10	5.50±0.10	5.50±0.10	5.50±0.10	7.50±0.10
E	1.75±0.10	1.75±0.10	1.75±0.10	1.75±0.10	1.75±0.10
D	1.50±0.10	1.50±0.10	1.50±0.10	1.50±0.10	1.50±0.10
D ₁	1.50±0.10	1.50±0.10	1.50±0.10	1.50±0.10	1.50±0.10
P ₀	4.00±0.10	4.00±0.10	4.00±0.10	4.00±0.10	4.00±0.10
P ₂	2.00±0.10	2.00±0.10	2.00±0.10	2.00±0.10	2.00±0.10
t	0.35±0.05	0.35±0.05	0.35±0.05	0.35±0.05	0.35±0.05

FEATURES:

1. Excellent solderability and high heat resistance.
2. Excellent terminal strength.
3. Packed in embossed carrier tape and can be used by automatic mounting machine.

APPLICATIONS:

Power supply for VCR , OA equipment, LCD television set, notebook, DC to DC converters, DC to AC inverters etc.

PART NUMBERING SYSTEM:

LCS □□□ □□□ □ □
 A B C D E

A : SMD POWER INDUCTOR SERIES

B : DIMENSIONS

C : INDUCTANCE

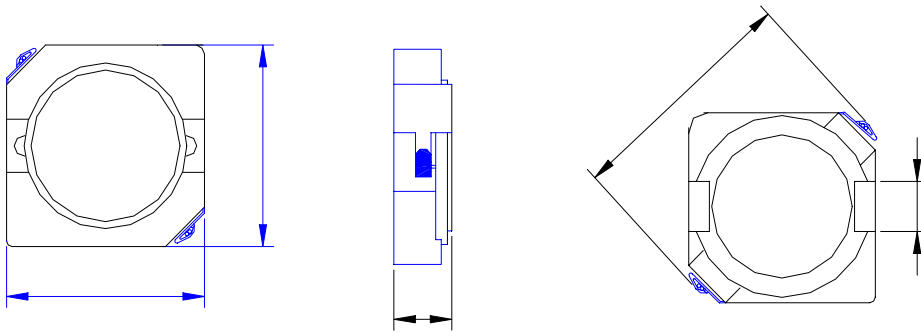
D : TOLERANCE

J:±5%;K:±10%;L:±15%;M:±20%

E : PACKAGE CODE R : Taping S : Bulk

DIMENSIONS & CONFIGURATIONS:

UNIT : mm



TYPE	A (±0.3)	B (MAX)	C (TYP)	D (MAX)
LCS042	4.7	2.0	1.5	6.9
LCS043	4.7	3.0	1.5	6.9
LCS052	5.7	2.0	2.0	8.2
LCS053	5.7	3.0	2.0	8.2
LCS063	6.7	3.0	2.0	9.5
LCS064	6.7	4.0	2.0	9.5
LCS104	10.0	4.0	3.0	13.5

TYPE LCS042 LCS 043 LCS052 LCS053 LCS 063 LCS 064 LCS104:

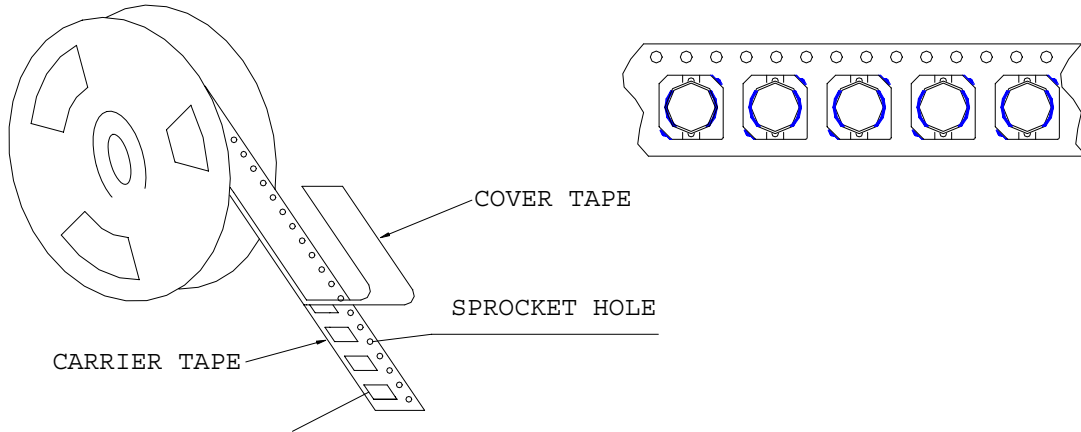
P/N.	L uH	D.C.R. (m) MAX							RATED CURRENT (A) MAX						
		LCS 042	LCS 043	LCS 052	LCS 053	LCS 063	LCS 064	LCS 104	LCS 042	LCS 043	LCS 052	LCS 053	LCS 063	LCS 064	LCS 104
1R0M	1.0	45							1.72						
1R2M	1.2		23.6							2.56					
1R5M	1.5							8.1							10.0
1R8M	1.8		27.5							2.20					
2R2M	2.2	75	31.3						1.32	2.04					
2R7M	2.7	105	43.3		18			10.5	1.28	1.60		2.60			7.50
3R3M	3.3	110	49.2		24	24	20		1.04	1.57		2.40	3.00	3.50	
3R9M	3.9	155	64.8	57	31	27		13.0	0.88	1.44	1.95	2.20	2.60		6.00
4R7M	4.7	162	72.0			31	24		0.84	1.32			2.40	2.90	
5R6M	5.6	170	100.9	76	38	35	27	22	0.80	1.17	1.60	1.90	2.25	2.50	5.50
6R8M	6.8	200	108.9	96	45	54	31	27	0.76	1.12	1.40	1.80	2.10	2.30	4.80
8R2M	8.2	245	117.5	116	53	58	34		0.68	1.04	1.25	1.60	1.85	2.20	
100M	10	200	128.3	124	65	65	38	35	0.61	1.00	1.20	1.30	1.70	2.00	4.40
120M	12	210	131.6	153	76	70	53		0.56	0.84	1.10	1.20	1.55	1.70	
150M	15	240	149.0	196	103	84	57	50	0.50	0.76	0.97	1.10	1.40	1.60	3.60
180M	18	338	166.0	210	110	95	92		0.48	0.72	0.85	1.00	1.32	1.50	
220M	22	397	235.0	290	122	128	96	73	0.41	0.70	0.80	0.90	1.20	1.30	2.90
270M	27	441	261.0	330	175	142	109		0.35	0.58	0.75	0.85	1.05	1.20	
330M	33	694	331.3	385	189	165	124	93	0.32	0.56	0.65	0.75	0.97	1.10	2.30
390M	39	709	383.7	520	212	210	138		0.30	0.50	0.57	0.70	0.86	1.00	
470M	47		587.0	595	250	238	155	128		0.48	0.54	0.62	0.80	0.95	2.10
560M	56		624.5	665	305	277	202			0.41	0.50	0.58	0.73	0.85	
680M	68		699.0	840	355	304	234	213		0.35	0.43	0.52	0.65	0.75	1.50
820M	82		914.8	978	463	390	324			0.32	0.41	0.46	0.60	0.70	
101M	100		1020	1200	520	535	358	304		0.29	0.36	0.42	0.54	0.65	1.35
121M	120		1270							0.27					
151M	150		1350					506		0.24					1.15
181M	180		1540							0.22					
221M	220							756							0.92
271M	270														
331M	330							1090							0.70

1. Measuring Frequency : 1.0~8.2uH : 7.96MHz 10~82uH : 2.52MHz 100~820uH : 1KHz 0.25V

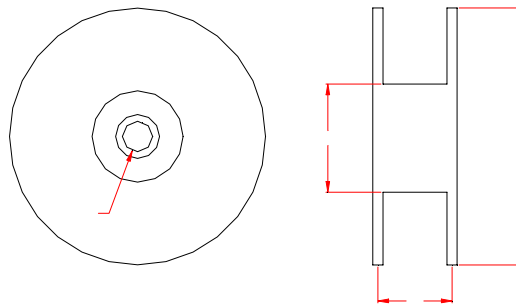
2. Tolerance : J : ±5% K : ±10% L : ±15% M : ±20%

3. Rated Current : The inductance should fall less than 10% of its value and the temperature rise should be less than 40°C

CARRIER:



REEL DIMENSION:



Item No.	Dimensions of reel				Packing Unit
	A	B	C	W	
LCS042	330	100±0.2	13.5±0.5	12.0±0.2	3000 pcs/reel
LCS043	330	100±0.2	13.5±0.5	12.0±0.2	3000 pcs/reel
LCS052	330	100±0.2	13.5±0.5	12.0±0.2	2500 pcs/reel
LCS053	330	100±0.2	13.5±0.5	12.0±0.2	2500 pcs/reel
LCS063	330	100±0.2	13.5±0.5	14.8±0.2	2000 pcs/reel
LCS064	330	100±0.2	13.5±0.5	14.8±0.2	2000 pcs/reel
LCS104	330	100±0.2	13.5±0.5	24.5±0.2	800 pcs/reel

