

## Type F:LINE FILTERS

### FEATURES:

High Impedance and Excellent Frequency Characteristic.

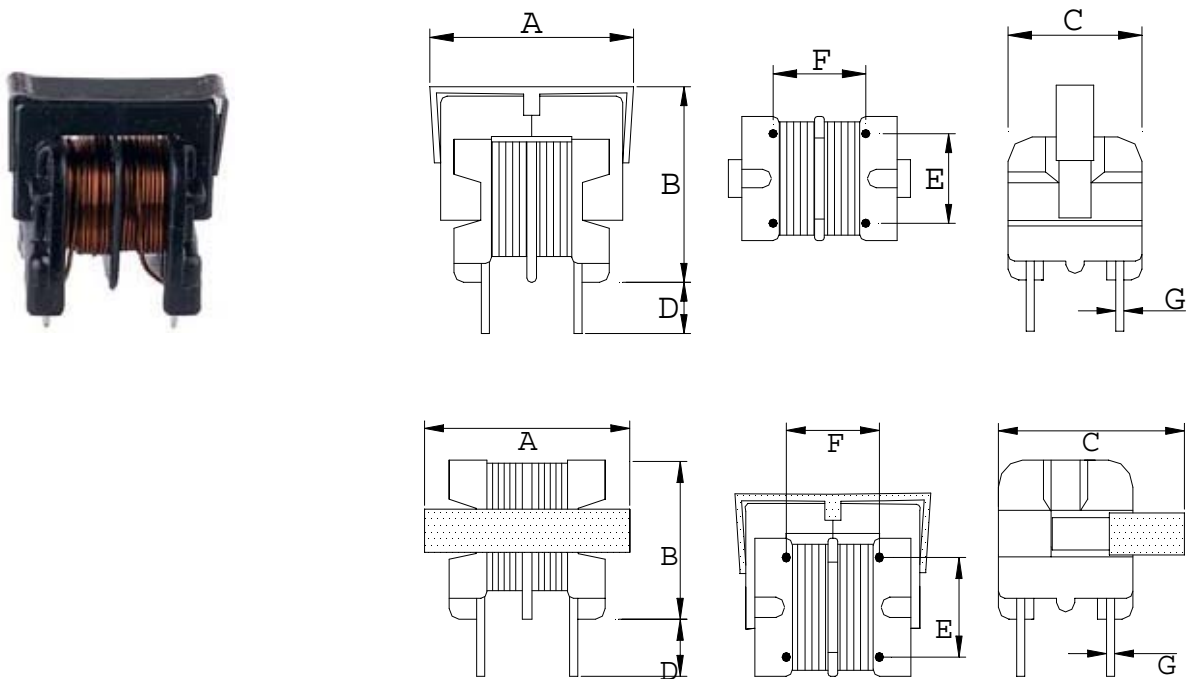
Compact Size,Light Weight.

Use UL-approved High-Resistance Insulation Material(94V-0).

Low Magnetic Flux Leakage.

### APPLICATIONS:

Television set,VCR,Audio Equipment,game machine,printer,Copy Machines.



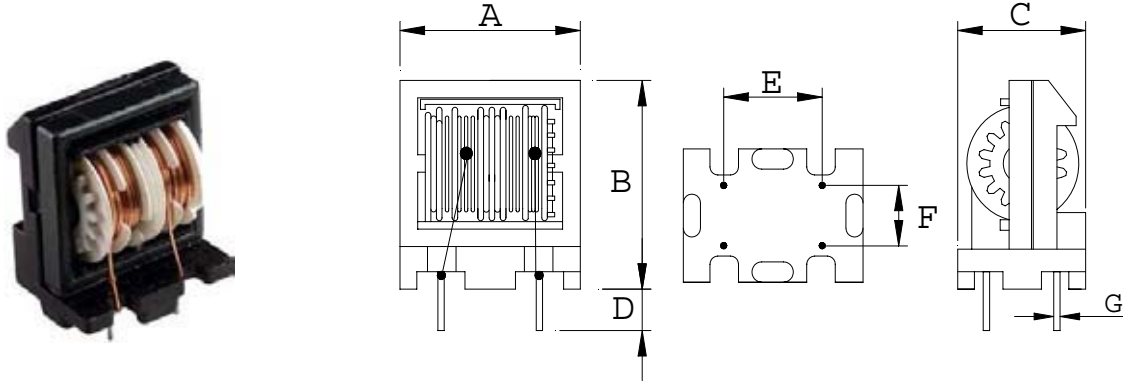
TYPE:UU(V) UNIT:mm

P/N \ DIMENSION	A	max	B	max	C	max	D	±1.0	E	±0.3	F	±0.3	G	±0.1
LF-UU098-XXX(2:2)		16.5		16.5		12		4		7		8		0.6
LF-UU105-XXX(2:2)		20		23		18		4		10		12.8		0.7
LF-UU157-XXX(4:4)		22		27		19		4		10		13		0.7
LF-UU168-XXX(3:3)		23		28		20		4		10		13		0.7
LF-UU168-XXX(4:4)		23		28		20		4		10		13		0.7

TYPE:UU(H) UNIT:mm

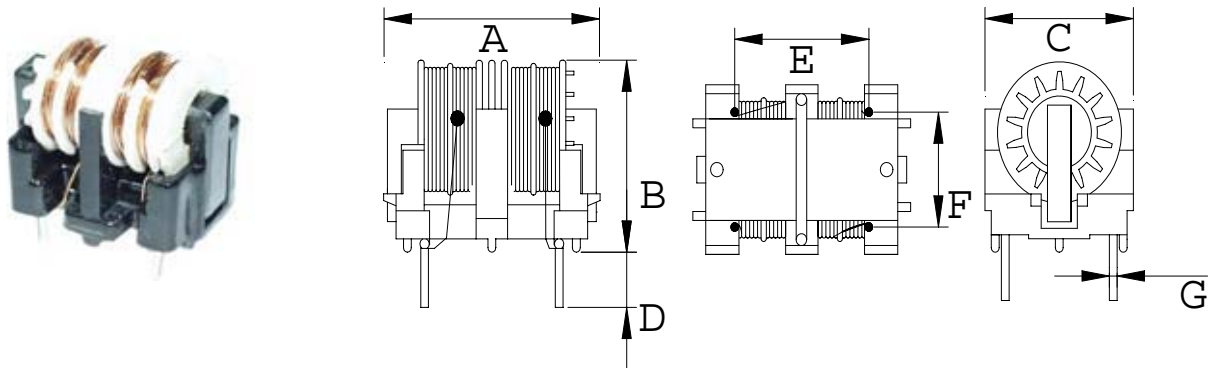
P/N \ DIMENSION	A	max	B	max	C	max	D	±1.0	E	±0.3	F	±0.3	G	±0.1
LF-UU098-XXX(2:2)		16.5		13.5		16		4		7		8		0.6
LF-UU105-XXX(2:2)		19		15		17		4		10		13		0.7
LF-UU157-XXX(2:2)		22.5		20.5		24		4		10		13		0.7

Specifications other than above will be furnished upon request.



TYPE:ET(V) UNIT:mm

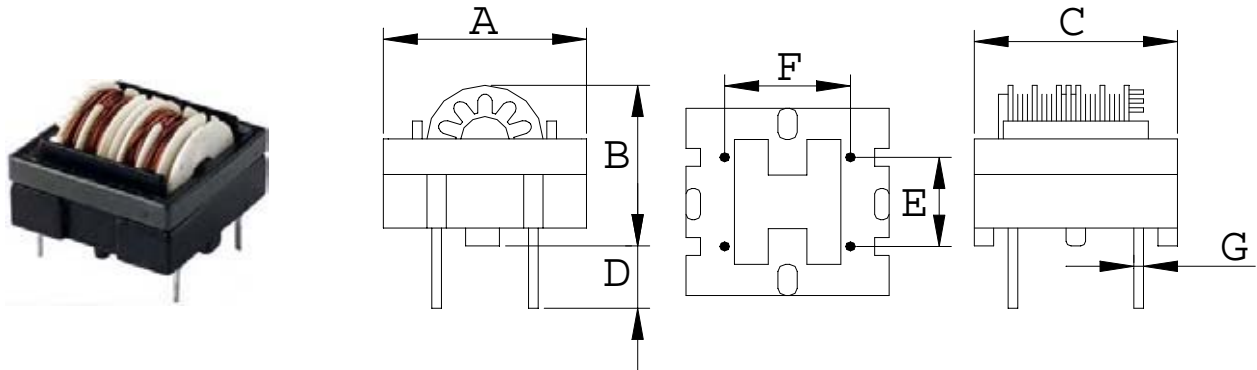
P/N \ DIMENSION	A	max	B	max	C	max	D	±1.0	E	±0.3	F	±0.3	G	±0.1
TF-ET200-XXX(2:2)		18		19		22		4.5		13		10		0.8
TF-ET240-XXX(2:2)		26		30		19		4.5		13		10		0.8
TF-ET280-XXX(2:2)		30		36		22		4.5		13		10		0.8
TF-ET350-XXX(2:2)		37		45		26		4.5		13		10		0.8



TYPE:UT(H) UNIT:mm

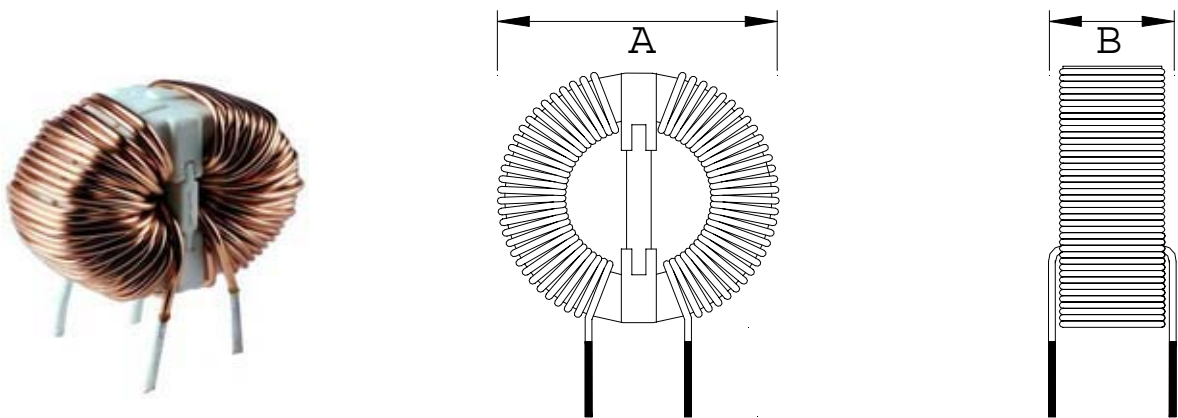
P/N \ DIMENSION	A	max	B	max	C	max	D	±1.0	E	±0.5	F	±0.5	G	±0.1
LF-UT200XXX(2:2)		22.5		23.5		17.5		4		13		10		0.8

Specifications other than above will be furnished upon request.



TYPE:ET(H) UNIT:mm

P/N \ DIMENSION	A max	B max	C max	D ±1.0	E ±0.3	F ±0.3	G ±0.1
LF-ET200-XXX(2:2)	22	18.5	22	4	10	13	0.8
LF-ET240-XXX(2:2)	26	22.5	26	4	15	20.5	0.8



TYPE:TR UNIT:mm

P/N	INDUCTANCE(mH MIN)	CORE\DIMENSION	A max	B max
LF-TR140-XXX	10	T14*8*7	18	12
LF-TR160-XXX	15	T16*12*8	20	13
LF-TR180-XXX	8	T18*10*7	21.5	14
LF-TR190-XXX	10	T19*10*10	24	16.5
LF-TR200-XXX	4.5	T20*10*10	25	17
LF-TR220-XXX	10	T22*14*8	26	18
LF-TR250-XXX	20	T25*15*13	30	20
LF-TR290-XXX	9.5	TT29*19*15	35	23

Specifications other than above will be furnished upon request.