

Type D: MAIN TRANSFORMERS

FEATURES:

Perfectly matched to switching power supply transformers and filters

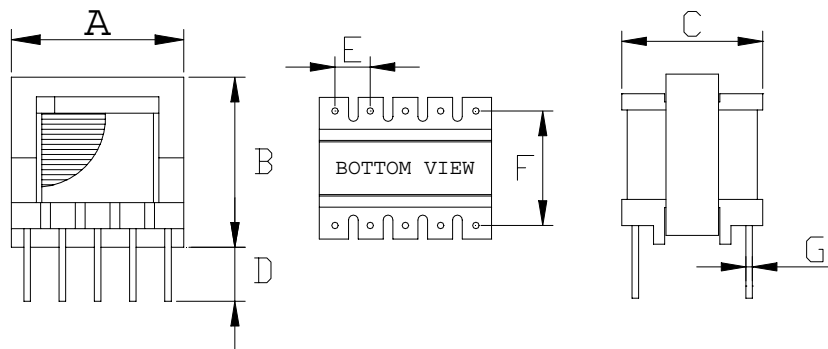
Various sizes can meet with a wide range of power requirement

Conform to many safety standards

APPLICATIONS:

Various switching power

TV, Monitor, VCR, Copy machine, audio equipment, printer, game machine, personal computer



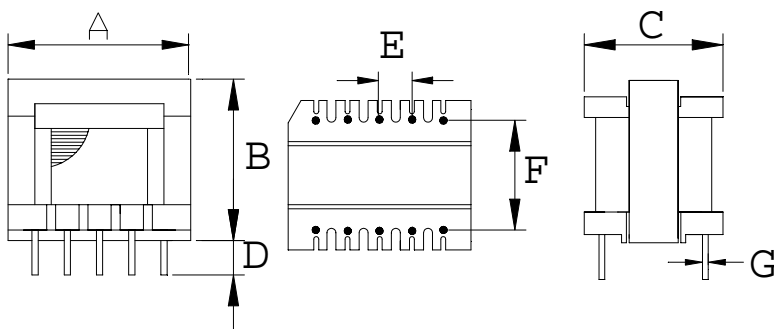
TYPE:EE(V) UNIT:mm

P/N \ DIMENSIN	A	max	B	max	C	max	D	±1.0	E	±0.3	F	±0.3	G	±0.1
TF-EE083-XXX(3:3)		10		10		10		4		2.5		6		0.5
TF-EE130-XXX(5:5)		15		14		13.5		4		2.5		8.5		0.6
TF-EE160-XXX(3:3)		17.5		16.5		14		4		3		9		0.6
TF-EE160-XXX(5:5)		19		19		17.5		4		3.5		12.7		0.6
TF-EE190-XXX(3:3)		22		22		17		4		4.7		11.3		0.6
TF-EE190-XXX(4:3)		23		18		19		4		4		11		0.7
TF-EE190-XXX(5:5)		23.5		19.5		17		4		4		10.2		0.8
TF-EE250-XXX(3:3)		27		22		20		4		6.3		12.5		0.8
TF-EE250-XXX(4:4)		30		24.5		21		4		5		12.5		0.8
TF-EE250-XXX(5:5)		28.5		22.5		24		4		5		15.2		0.8
TF-EE400-XXX(8:8)		43		39		32		4		5		22.5		0.8
TF-EE420-XXX(9:9)		47		50		40		4		5		27.5		1

Specifications other than above will be furnished upon request.

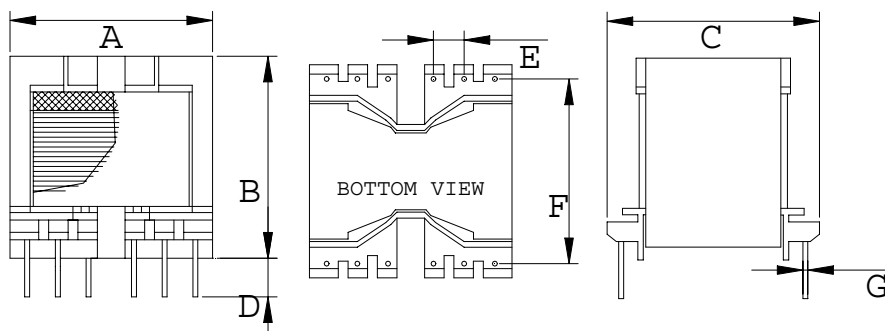


Crest Technologies Pty Ltd
 46/41-49 Norcal Rd Nunawading 3131 Australia
 Tel: (03) 9873 8830 Fax: (03) 9873 8799
 Email: sales@cresttech.com.au
 Web: http://www.cresttech.com.au



TYPE:EI(V) UNIT:mm

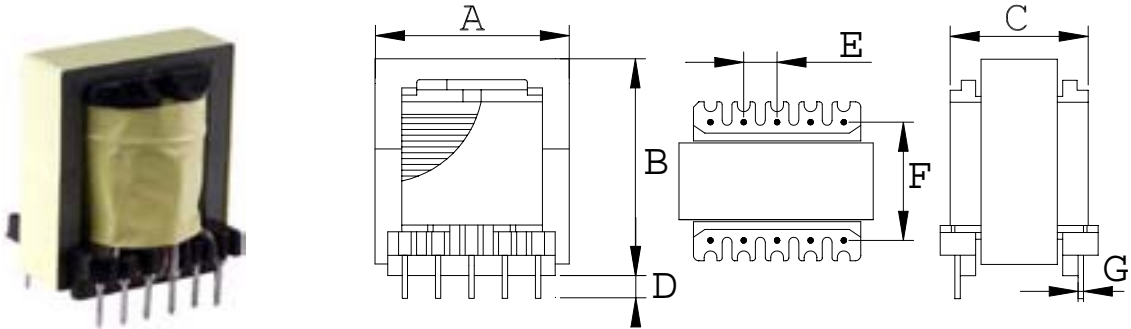
P/N \ DIMENSION	A	max	B	max	C	max	D	±1.0	E	±0.3	F	±0.3	G	±0.1
TF-EI125-XXX(5:5)		13.5		10		13.5		4		2.5		7.5		0.6
TF-EI190-XXX(3:3)		22		21		17		4				11.5		0.6
TF-EI190-XXX(4:3)		23		18		16		4		4		11		0.8
TF-EI220-XXX(5:5)		24		21		18		4		4		10.3		0.8
TF-EI250-XXX(4:4)		27		22		22		4		5		12.5		0.8
TF-EI250-XXX(5:5)		26		24		21.5		4		5		15.2		0.8
TF-EI280-XXX(5:5)		30		23		25		4		5		17.6		0.8
TF-EI300-XXX(5:5)		31.5		28.5		23		4		5		17		0.8
TF-EI300-XXX(6:6)		32		30		27		4		5		20		0.8
TF-EI330-XXX(6:6)		35		31		29.5		4		5		22.5		0.8
TF-EI330-XXX(7:7)		35		32.5		32		4		5		22.5		0.8
TF-EI400-XXX(6:6)		44		38		32.5		4		5		22.5		0.8
TF-EI400-XXX(7:7)		42		30		37		4		5		25.6		0.8



TYPE:PQ(V) UNIT:mm

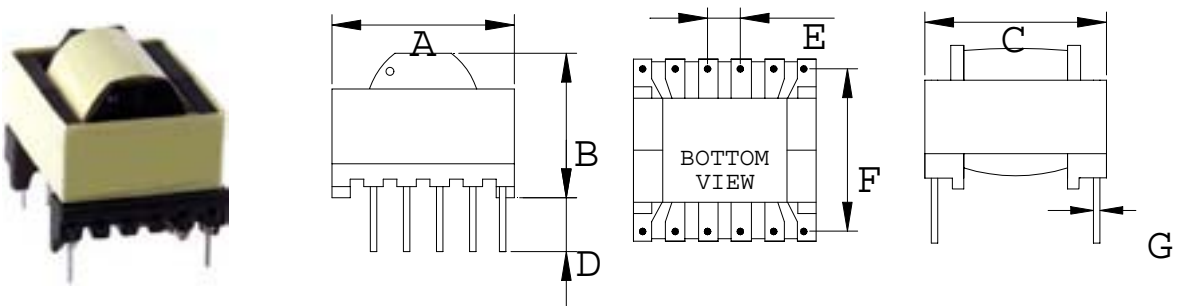
P/N \ DIMENSION	A	max	B	max	C	max	D	±1.0	E	±0.3	F	±0.3	G	±0.1
TF-PQ260-XXX(6:6)		29		23		33		4.5		3.8		25.4		0.6
TF-PQ260-XXX(6:6)		29		30		34		4.5		3.8		25.4		0.7
TF-PQ320-XXX(6:6)		34		34		36		4.5		5		30		0.8

Specifications other than above will be furnished upon request.



TYPE:ER(V) UNIT:mm

P/N \ DIMENSION	A max	B max	C max	D ±1.0	E ±0.3	F ±0.3	G ±0.1
TF-ER280-XXX(5:5)	30	32	25	4	5	17.4	0.8
TF-ER420-XXX(7:7)	44	50	32	4	5	25	1
TF-ER490-XXX(11:11)	55.5	58.5	37	4	5	27.5	1
TF-ER490-XXX(9:9)	52	58	39	4	5	28	1
TF-RL280-XXX(5:5)	32	37	25	4	5	17.5	0.8
TF-RL280-XXX(6:6)	32	38	25	4	5	20	0.8
TF-RL350-XXX(6:6)	37	46	31	4	5	22.5	1
TF-RL350-XXX(7:7)	39	47	33	4	5	22.5	1
TF-RL350-XXX(8:8)	42	47.5	30	4	5	25.4	1
TF-RL390-XXX(6:6)	41	45	33	4	5	25.2	1
TF-RL390-XXX(7:7)	41.5	57	33	4	5	25	1
TF-RL390-XXX(8:8)	44	51	33	4	5	25	1



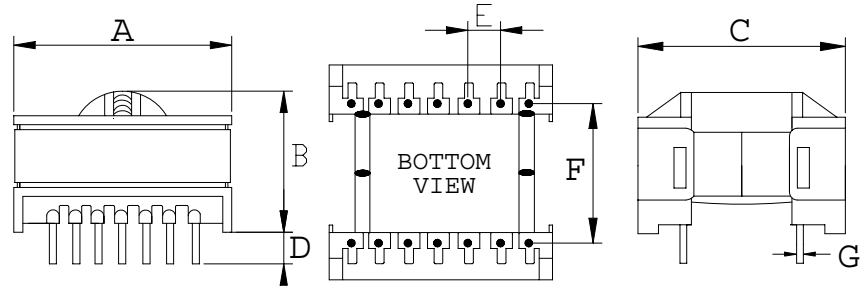
TYPE:ER(H) UNIT:mm

P/N \ DIMENSION	A max	B max	C max	D ±1.0	E ±0.3	F ±0.3	G ±0.1
TF-ER280-XXX(6:6)	31	25.5	31	4	5	25.4	0.8
TF-ER420-XXX(7:7)	44	36	46	4	5	35	1
TF-RL280-XXX(5:5)	32	39	27.5	4	5	30	0.8
TF-RL350-XXX(7:7)	38	31	45	4	5	37	1

Specifications other than above will be furnished upon request.

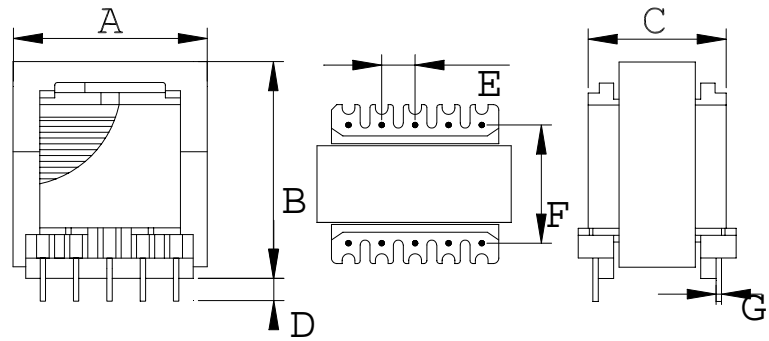


Crest Technologies Pty Ltd
 46/41-49 Norcal Rd Nunawading 3131 Australia
 Tel: (03) 9873 8830 Fax: (03) 9873 8799
 Email: sales@cresttech.com.au
 Web: http://www.cresttech.com.au



TYPE:ETD(H) UNIT:mm

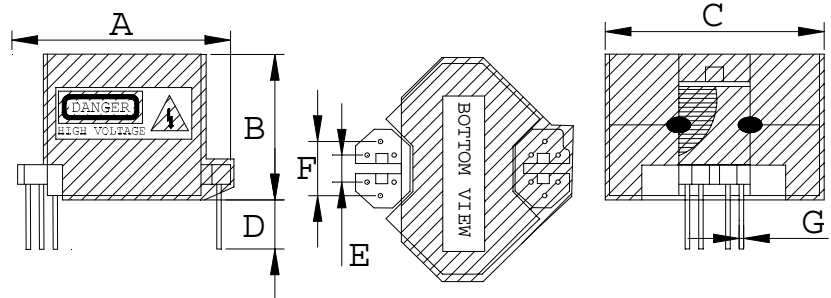
P/N \ DIMENSION	A	max	B	max	C	±0.3	D	±1.0	E	±0.3	F	±0.3	G	±0.1
TF-TD340-XXX(7:7)		42		33	42		4		5		25.5		1	
TF-TD390-XXX(8:8)		46		38.5	42		4		5		30.5		1	
TF-TD440-XXX(9:9)		52		44	53		4.3		5		35.6		1	
TF-TD490-XXX(10:10)		57		44	59		4		5		40.7		1	



TYPE:ETD(V) UNIT:mm

P/N \ DIMENSION	A	max	B	max	C	±0.3	D	±1.0	E	±0.3	F	±0.3	G	±0.1
TF-TD340-XXX(6:6)		38		40	34		3.5		5		25.5		1	
TF-TD340-XXX(7:7)		38		38	29.5		1.9		5		22.5		1	

Specifications other than above will be furnished upon request.



TYPE:RM(V) UNIT:mm

P/N \ DIMENSION	A	max	B	max	C	max	D	±1.0	E	±0.3	F	±0.3	G	±0.1
TF-RM050-XXX(4:4)		14		11		17		4.5		1.8		5.4		0.6
TF-RM060-XXX(3:3)		21.5		13.5		21.5		4.5		1.8		3.6		0.6
TF-RM080-XXX(5:5)		26.5		18		25		4.5		3.5		7.1		0.6
TF-RM100-XXX(6:6)		30.5		20		30		4.5		3.6		7.2		0.6