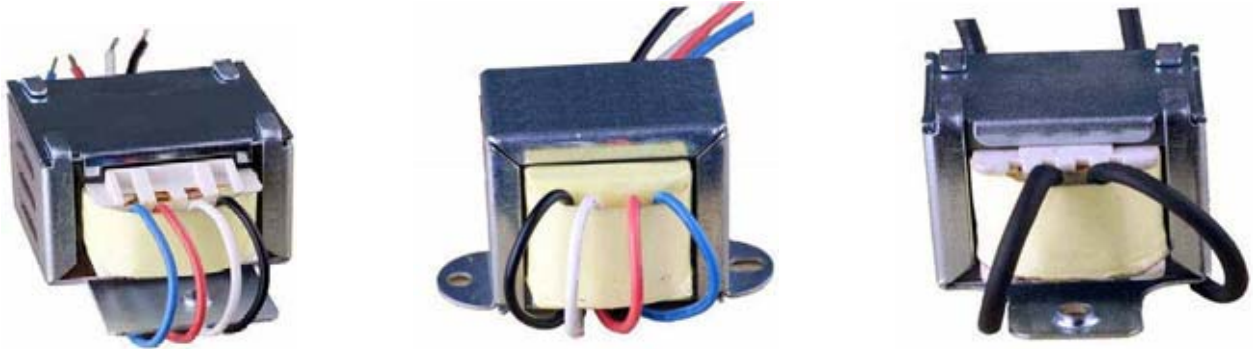


## Type A: PFC CHOKES(Passive)

### APPLICATIONS:

Power Factor Correction for Switching Power Supply(input power from 75W to 600W).



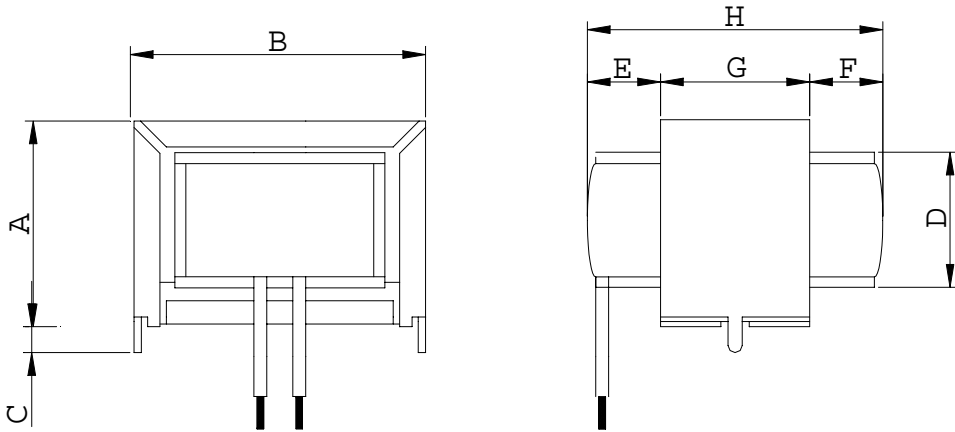
### PFC CHOKES Standard:

Type	Output watt / voltage range	Remarks
2815P	100W for only 100V	
2815-1	100W for only 100V	
2820A	100W for full range	
2820A-1	100W for only 230V	
3515A	120W for only 100V	
3520A	120W for full range	
4120	120~150W for only 230V	
4120A	120~150W for full range	
4127	180W for full range	
4335A	200~300W for full range	
4820	200W for only 230V	
4825-1	250W for only 230V	
4825A	250W for full range	
4835	300W for full range	

Specifications other than above will be furnished upon request.

● PFC CHOKE STANDARD

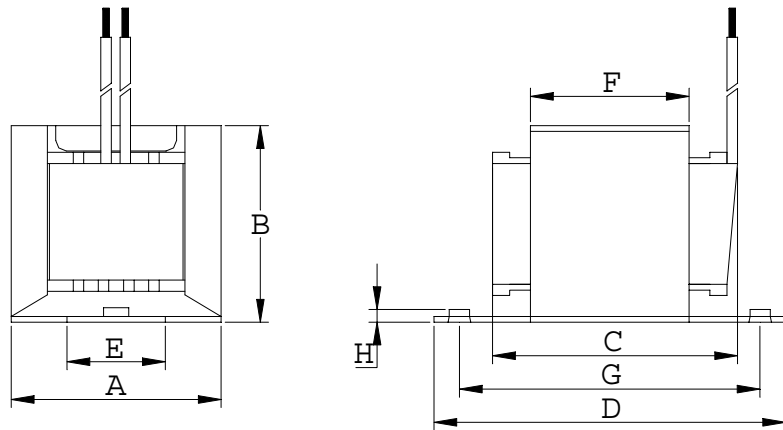
Type	Output watt / voltage range	Note
2815P	100W for only 100V	Insert



DIMENSION \ UNIT : mm

A	B	C	D	E	F	G	H	I
28.0 max	30.0 max	7.0± 1.0	19.0 max	9.0 max	7.0 max	17.0 max	30.0 max	

Type	Output watt / voltage range	Note
2815-1	100W for only 100V	Screwed hole

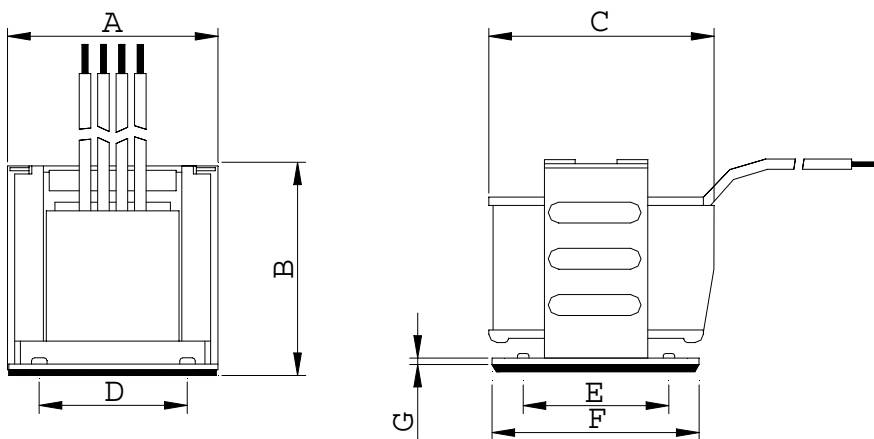
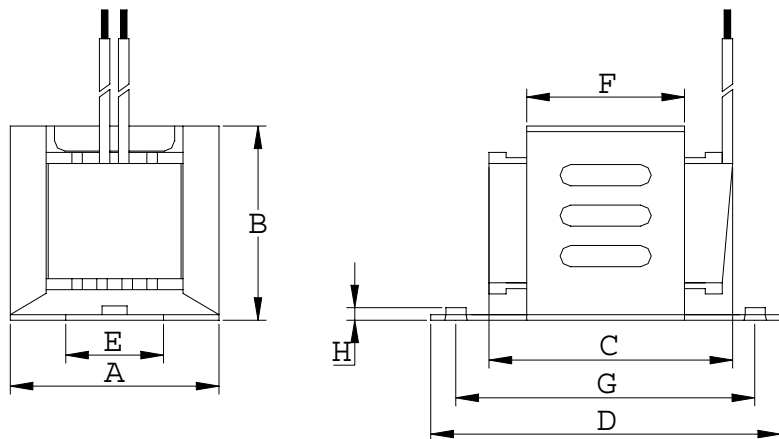


DIMENSION \ UNIT : mm

A	B	C	D	E	F	G	H	I
30 max	29.0 max	30.0 max	50.0±0.5	15.0±0.3	18.0±0.5	41.0±0.5	2.3±0.3	

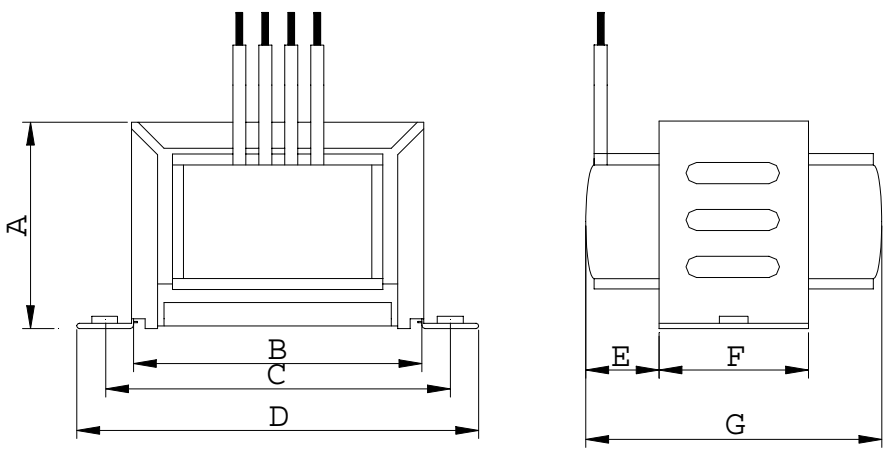
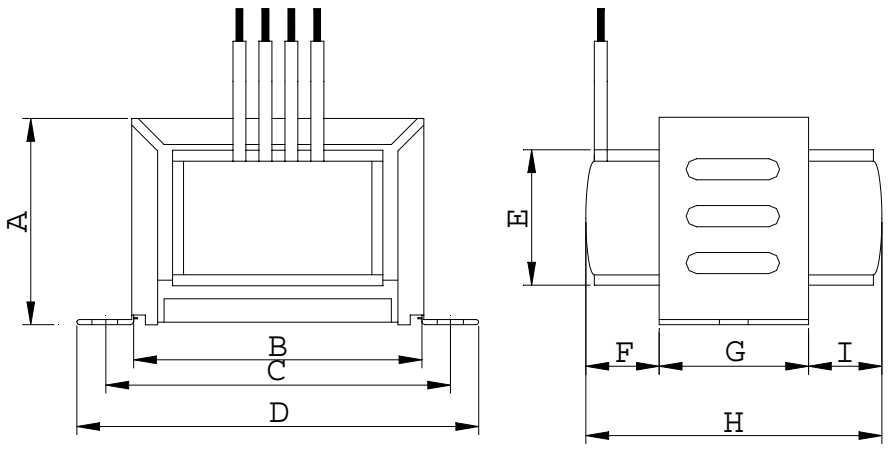
Specifications other than above will be furnished upon request.

● PFC CHOKE STANDARD

Type	Output watt / voltage range	Note						
2820A	100W for full range	Screwed hole						
								
DIMENSION\UNIT : mm								
A	B	C	D	E	F	G	H	I
31.0 max	29.0 max	38.0 max	22.0±0.5	26.0±0.5	34.0 max	0.6 max		
Type	Output watt / voltage range	Note						
2820A-1	100W for only 230V	Screwed hole						
								
DIMENSION\UNIT : mm								
A	B	C	D	E	F	G	H	I
31.0 max	29.0 max	38.0 max	50.0±0.5	14.0±0.3	23.0 max	41.0±0.5	2.5 max	

Specifications other than above will be furnished upon request.

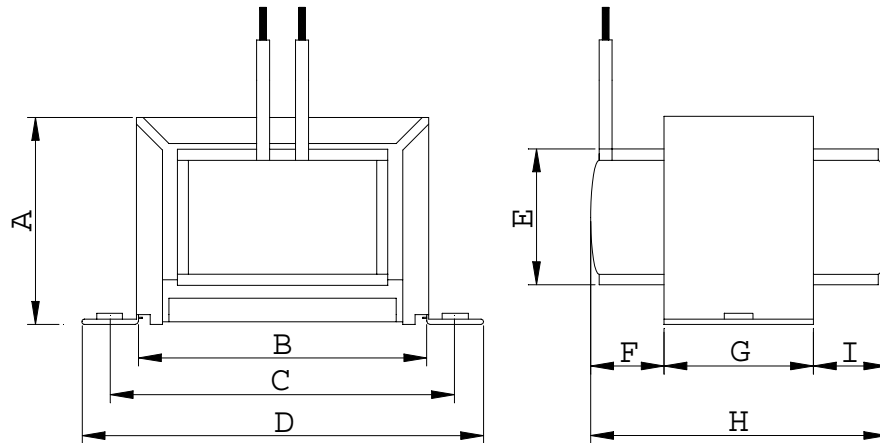
● PFC CHOKE STANDARD

Type	Output watt / voltage range	Note						
3515A	120W for only 100V	Screwed hole						
								
DIMENSION \ UNIT : mm								
A	B	C	D	E	F	G	H	I
35.0 max	37.0 max	46.0 ± 0.5	55.0 ± 0.5	12.0 max	17.5 ± 0.5	42.0 max		
Type	Output watt / voltage range	Note						
3520A	120W for full range	Elliptically hole						
								
DIMENSION \ UNIT : mm								
A	B	C	D	E	F	G	H	I
34.0 max	38.0 max	46 ± 0.5	54 ± 0.5	22.0 max	14.0 max	22.5 max	42.0 max	6.0 max

Specifications other than above will be furnished upon request.

● PFC CHOKE STANDARD

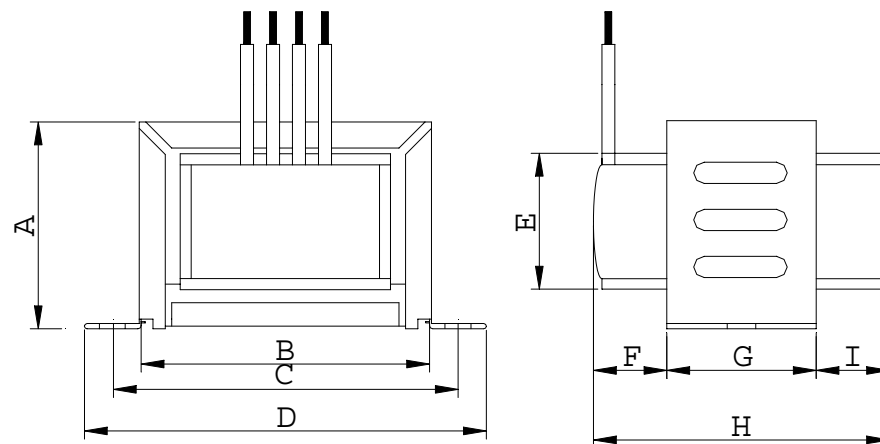
Type	Output watt / voltage range	Note
4120	120~150W for only 230V	Screwed hole



DIMENSION\UNIT : mm

A	B	C	D	E	F	G	H	I
37.0 max	43.5 max	53.3±0.5	63.5±1	24.0 max	14.0 max	24.0 max	44.0 max	8.0 max

Type	Output watt / voltage range	Note
4120A	120~150W for full range	Elliptically hole

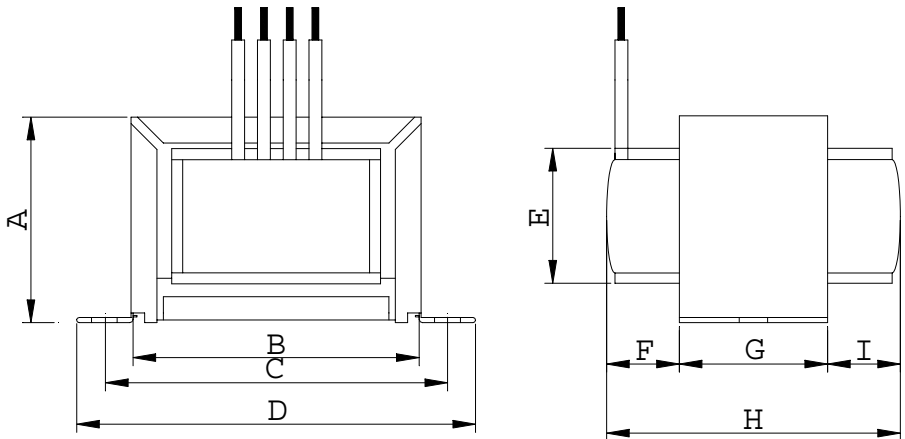
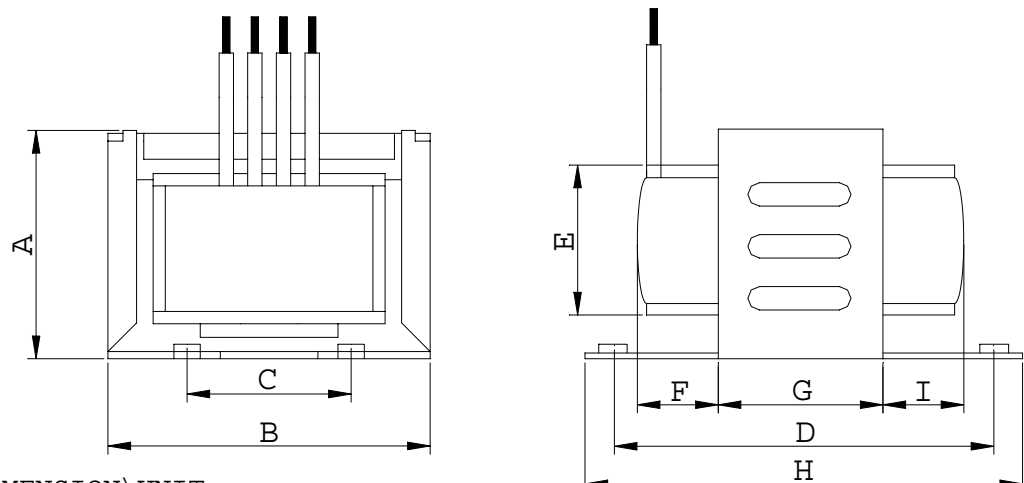


DIMENSION\UNIT : mm

A	B	C	D	E	F	G	H	I
37.0 max	43.5 max	52.5± 0.5	62±0.5	24.0 max	14.0 max	24.0 max	44.0 max	8.0 max

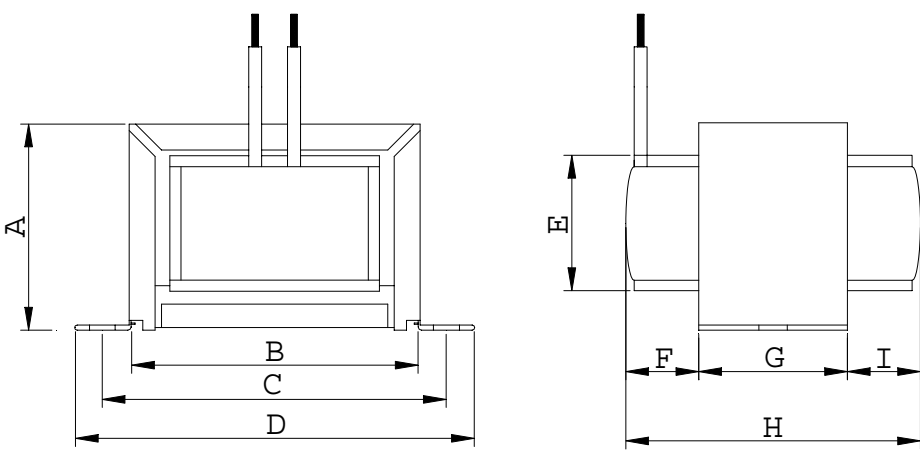
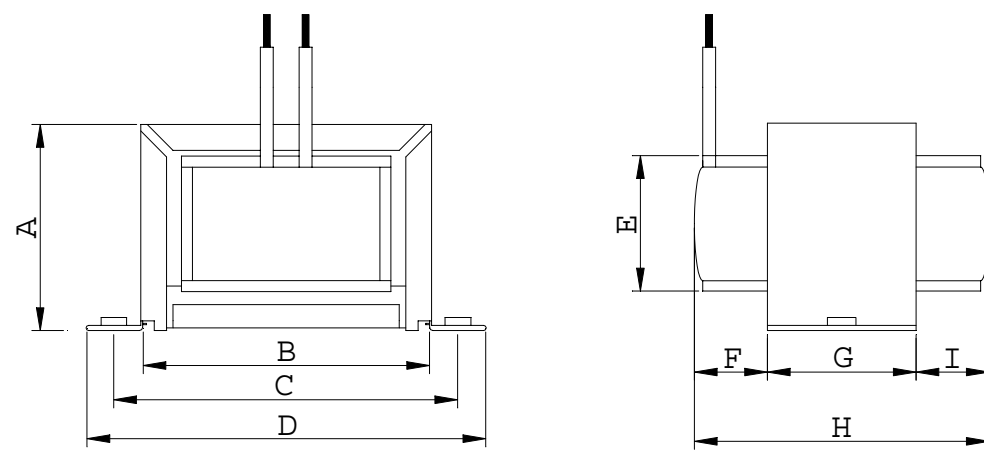
Specifications other than above will be furnished upon request.

● PFC CHOKE STANDARD

Type	Output watt / voltage range	Note						
4127	180W for full range	Elliptically hole						
								
DIMENSION \ UNIT : mm								
A	B	C	D	E	F	G	H	I
37.0 max	43.5 max	51.5±0.5	62±0.5	24.0 max	14.0 max	29.0 max	53.0 max	8.0 max
Type	Output watt / voltage range	Note						
4335A	200~300W for full range	Extruded down						
								
DIMENSION \ UNIT : mm								
A	B	C	D	E	F	G	H	I
33.0 max	45.5 max	18.0± 0.5	74.0± 0.5	19.0 max	12.0 max	37.5 max	62.0 max	10.0 max

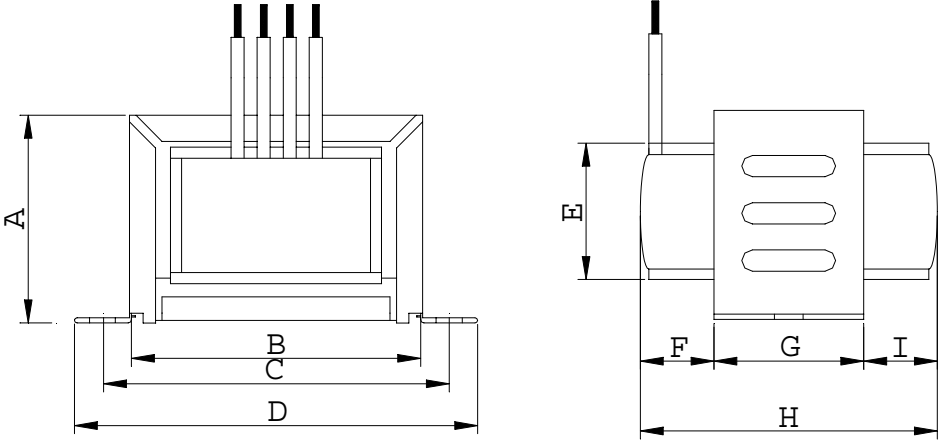
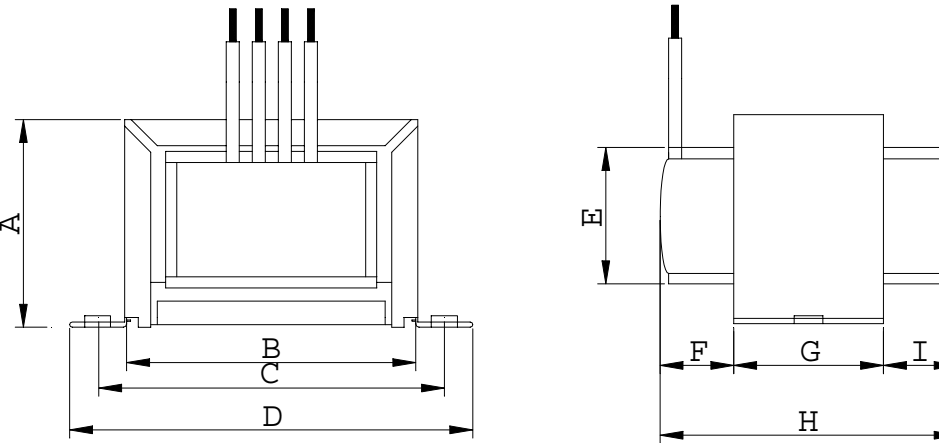
Specifications other than above will be furnished upon request.

● PFC CHOKE STANDARD

Type	Output watt / voltage range	Note						
4820	200W for only 230V	Elliptically hole						
								
DIMENSION\UNIT : mm								
A	B	C	D	E	F	G	H	I
44.5 max	51 max	60.5±0.5	71.8±0.5	27.0 max	13.0 max	23.0 max	40.0 max	17.0 max
Type	Output watt / voltage range	Note						
4825-1	250W for only 230V	Extruded down						
								
DIMENSION\UNIT : mm								
A	B	C	D	E	F	G	H	I
44.5 max	51.0 max	63.5±0.5	71.8±0.5	27.0 max	13.0 max	28.0 max	45.0 max	8.0 max

Specifications other than above will be furnished upon request.

● PFC CHOKE STANDARD

Type	Output watt / voltage range	Note						
4825A	250W for full range	Elliptically hole						
								
DIMENSION \ UNIT : mm								
A	B	C	D	E	F	G	H	I
44.5 max	51.0 max	63.5±0.5	71.8±0.5	27.0 max	13.0 max	28.5 max	45.0 max	8.0 max
Type	Output watt / voltage range	Note						
4835	300W for full range	Extruded down						
								
DIMENSION \ UNIT : mm								
A	B	C	D	E	F	G	H	I
43.5 max	51.0 max	61.3±0.5	71.0±0.2	27.0 max	14.0 max	37.5 max	56.0 max	8.0 max

Specifications other than above will be furnished upon request.