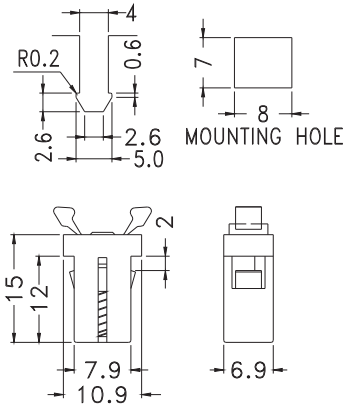


DOOR LOCK

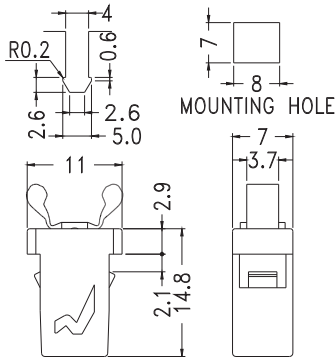
- ┆ CATCHER MAT'L: NYLON 66(UL)94V-2
- ┆ CASE MAT'L: ABS
- ┆ COLOR: BLACK/GRAY
- ┆ UNIT: □



PART NO	PACKAGE
YPDTC-1	500

DOOR LOCK

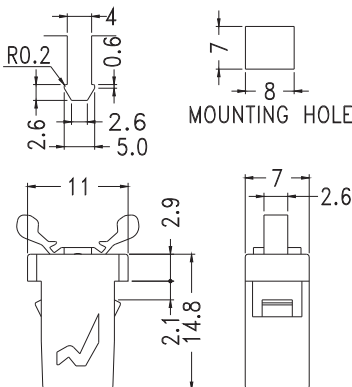
- ┆ CATCHER MAT'L: NYLON 66(UL)94V-2
- ┆ CASE MAT'L: ABS
- ┆ COLOR: BLACK/GRAY
- ┆ UNIT: □



PART NO	PACKAGE
YPDTC-2	500

DOOR LOCK

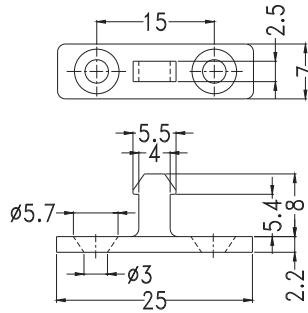
- ┆ CATCHER MAT'L: NYLON 66(UL)94V-2
- ┆ CASE MAT'L: ABS
- ┆ COLOR: BLACK/GRAY
- ┆ UNIT: □



PART NO	PACKAGE
YPDTC-3	500

DOOR LOCK

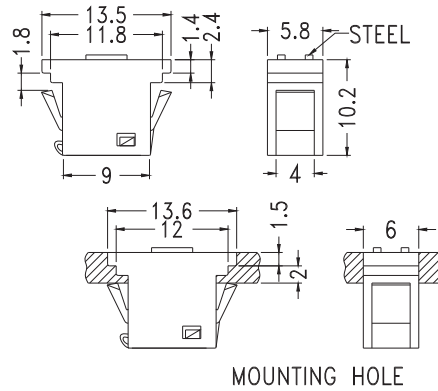
- ┆ MATERIAL:ABS(UL)
- ┆ FLAME CLASS:94HB
- ┆ COLOR:BLACK
- ┆ UNIT:mm



PART NO	PACKAGE
YPDTCA-1	500

MAGNET DOOR LOCK

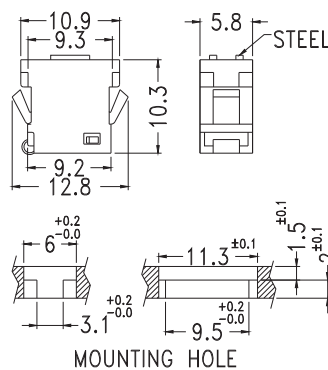
- ┆ MATERIAL:NYLON 66(UL)94V-2
- ┆ CLIP MATERIAL:SP
- ┆ COLOR:BLACK
- ┆ UNIT:mm



PART NO	PACKAGE
YPDTCM-1	500

MAGNET DOOR LOCK

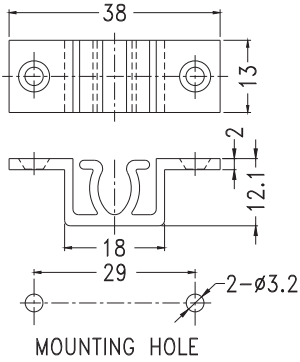
- ┆ MATERIAL:NYLON 66(UL)94V-2
- ┆ CLIP MATERIAL:SP
- ┆ COLOR:BLACK
- ┆ UNIT:mm



PART NO	PACKAGE
YPDTCM-2	500

DOOR LOCK

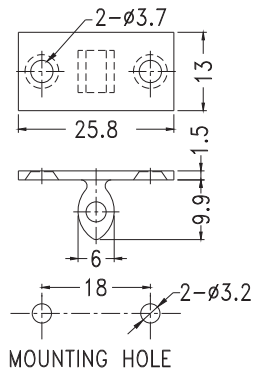
- ┆ MATERIAL:POM
- ┆ COLOR:NATURAL
- ┆ UNIT:□



PART NO	PACKAGE
YPDTC-42	500

DOOR LOCK

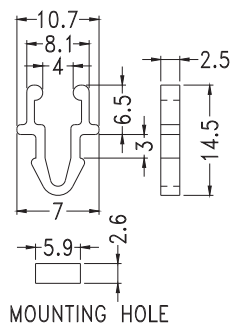
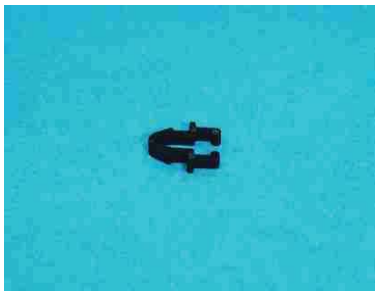
- ┆ MATERIAL:NYLON 66(UL)
- ┆ FLAME CLASS:94V-2
- ┆ COLOR:NATURAL
- ┆ UNIT:□



PART NO	PACKAGE
YPDTCA-42	500

DOOR LOCK

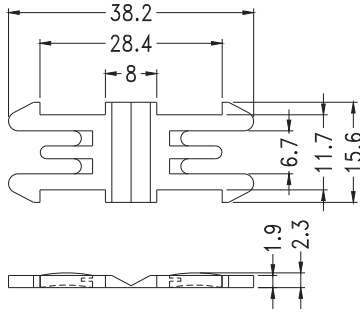
- ┆ MATERIAL:NYLON 66(UL)
- ┆ FLAME CLASS:94V-2
- ┆ COLOR:BLACK
- ┆ UNIT:□



PART NO	PACKAGE
YPDTC-10	2000

DOOR LOCK

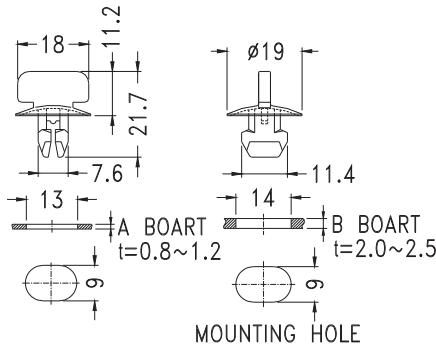
- ┆ MATERIAL:NYLON 66(UL)
- ┆ FLAME CLASS:94V-2
- ┆ COLOR:BLACK
- ┆ UNIT:mm



PART NO	PACKAGE
YPDTC-11	500

DOOR LOCK

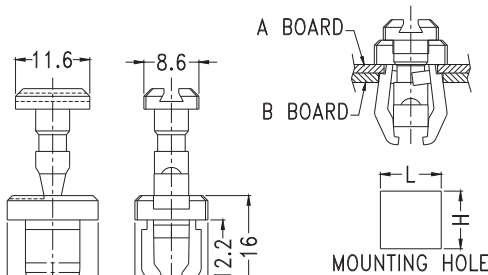
- ┆ MATERIAL:NYLON 66(UL)
- ┆ FLAME CLASS:94V-2
- ┆ COLOR:BLACK
- ┆ UNIT:mm



PART NO	PACKAGE
YPTFC-1	200

SNAP LATCH

- ┆ MATERIAL:NYLON 66(UL)
- ┆ FLAME CLASS:94V-2
- ┆ COLOR:BLACK
- ┆ UNIT:mm

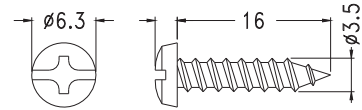
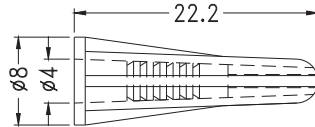


PART NO	PACKAGE
YPTFCA-2	200

A BOARD	MOUNTING HOLE(LxH): 9.0x9.0 THICKNESS: 1.2~1.5
B BOARD	MOUNTING HOLE(LxH): 9.5x9.0 THICKNESS: 1.2~1.5

PLASTIC CONICAL ANCHORS

- ┆ MATERIAL:NYLON 66(UL)
- ┆ FLAME CLASS:94V-2
- ┆ COLOR:NATURAL
- ┆ UNIT:mm
- ┆ DRILL SIZE:3/16(□4. 7)

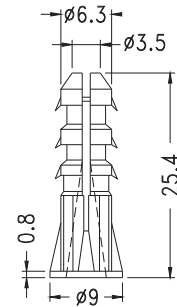


PART NO	PACKAGE
YPPCCA-1	1000

PART NO	PACKAGE
YPSTCP-3.5	1000

PLASTIC CONICAL ANCHORS

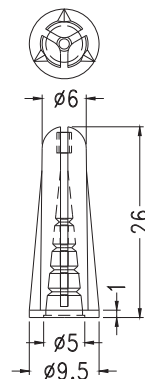
- ┆ MATERIAL:P.P
- ┆ COLOR:GRAY/BLACK
- ┆ UNIT:mm



PART NO	PACKAGE
YPPCCA-2	1000

PLASTIC CONICAL ANCHORS

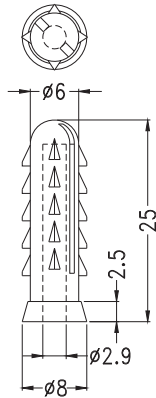
- ┆ MATERIAL:P.P
- ┆ COLOR:GRAY/BLACK
- ┆ UNIT:mm



PART NO	PACKAGE
YPPCCA-4	1000

PLASTIC CONICAL ANCHORS

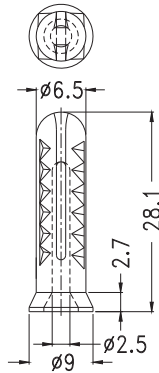
- ┆ MATERIAL:PP
- ┆ COLOR:NATURAL
- ┆ UNIT:mm



PART NO	PACKAGE
YPPECB3-25	1000

PLASTIC CONICAL ANCHORS

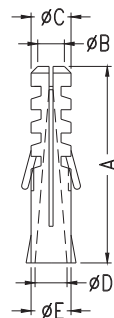
- ┆ MATERIAL:PP
- ┆ COLOR:NATURAL
- ┆ UNIT:mm



PART NO	PACKAGE
YPPECC5-28	1000

PLASTIC CONICAL ANCHORS

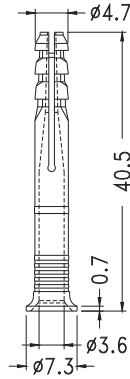
- ┆ MATERIAL:PP
- ┆ COLOR:GRAY
- ┆ UNIT:mm



PART NO.	A	B	C	D	E	PACKAGE
YPPECB6-25	24.7	3.5	4.8	4.0	5.0	1000
YPPECB6-30	29.6	4.0	6.0	4.8	6.0	

PLASTIC CONICAL ANCHORS

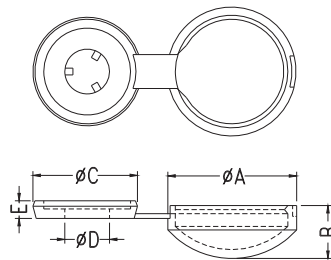
- ┆ MATERIAL:NYLON 66(UL)
- ┆ FLAME CLASS:94V-2
- ┆ COLOR:NATURAL
- ┆ UNIT:mm



PART NO	PACKAGE
PCA-5	1000

SCREW CAP

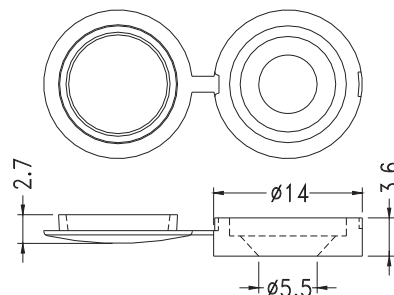
- ┆ MATERIAL:NYLON66(UL)
- ┆ FLAME CLASS:94V-2
- ┆ COLOR:WHITE/BLACK
- ┆ UNIT:mm



PART NO	A	B	C	D	E	PACKAGE
SCW-1	9.8	4.1	8.0	3.3	1.3	1000
SCW-2	13.3	4.1	11.6	4.3	1.4	

SCREW CAP

- ┆ MATERIAL:NYLON66(UL)
- ┆ FLAME CLASS:94V-2
- ┆ COLOR:WHITE/BLACK
- ┆ UNIT:mm



PART NO	PACKAGE
SCW-3	1000