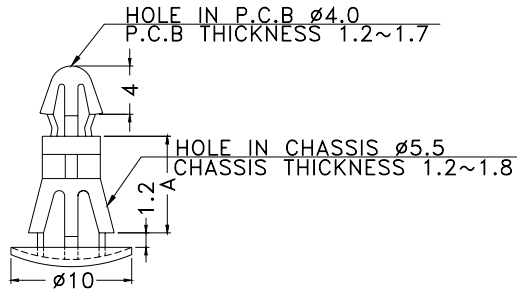
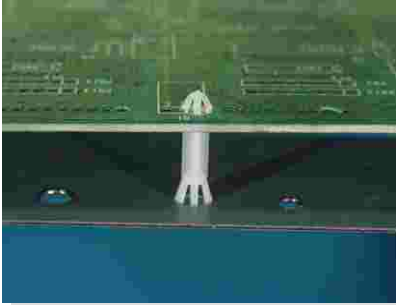


REVERSE LOCKING PCB SPACER SUPPORT

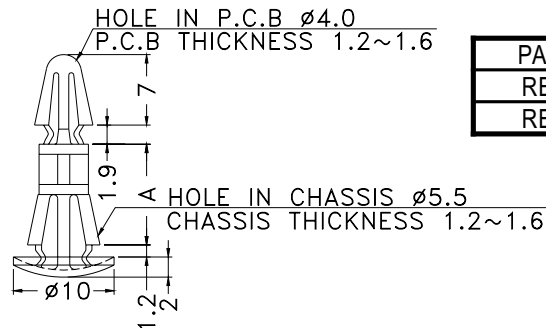
- MATERIAL: NYLON 66(UL)
- FLAME CLASS :94V-2
- COLOR:NATURAL
- UNIT:mm



PART NO	A	PACKAGE
RBS-6	6.0	1000
RBS-7	7.0	
RBS-8	8.0	
RBS-10	10.0	
RBS-12	12.0	
RBS-14	14.0	
RBS-18	18.0	

REVERSE LOCKING PCB SPACER SUPPORT

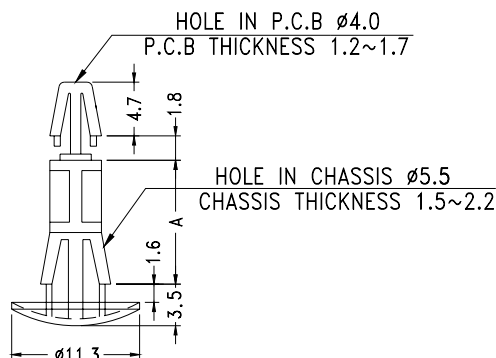
- MATERIAL: NYLON 66(UL)
- FLAME CLASS :94V-2
- COLOR:NATURAL
- UNIT:mm



PART NO.	A	PACKAGE
RBT-19	19.0	1000
RBT-28.2	28.2	

REVERSE LOCKING PCB SPACER SUPPORT

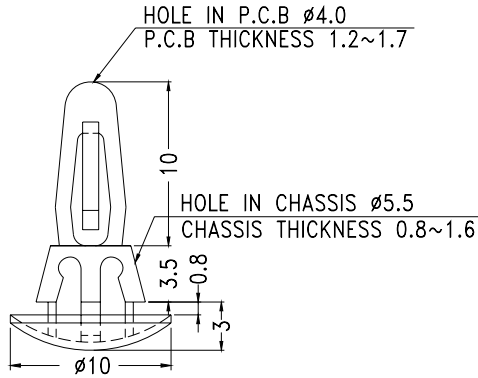
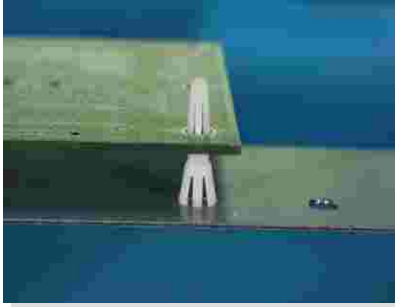
- MATERIAL: NYLON 66(UL)
- FLAME CLASS :94V-2
- COLOR:NATURAL/BLACK
- UNIT:mm



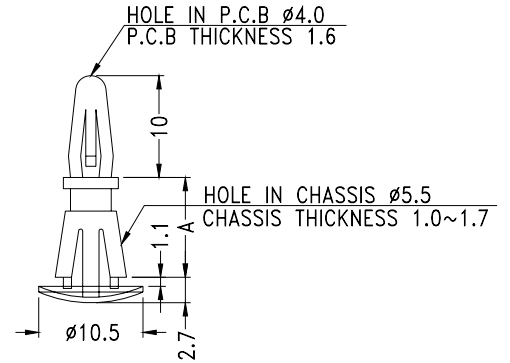
PART NO	A	PACKAGE
RCB-3	3.5	1000
RCB-5	5.0	
RCB-6	6.35	
RCB-8	8.0	
RCB-10	10.0	
RCB-12	12.7	
RCB-15	15.9	
RCB-19	19.0	500
RCB-25	25.4	
RCB-35	35.5	

REVERSE LOCKING PCB SPACER SUPPORT

- ┆ MATERIAL: NYLON 66(UL)
- ┆ FLAME CLASS :94V-2
- ┆ COLOR:NATURAL
- ┆ UNIT:mm



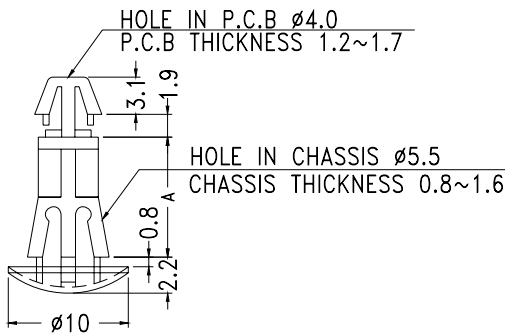
PART NO	PACKAGE
YPPCCBS-3	1000



PART NO	A	PACKAGE
YPPCCBS-6	6.3	1000
YPPCCBS-10	10.0	
YPPCCBS-12A	12.0	
YPPCCBS-12	12.7	

REVERSE LOCKING PCB SPACER SUPPORT

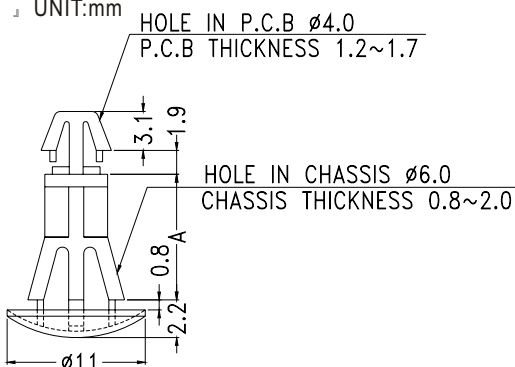
- ┆ MATERIAL: NYLON 66(UL)
- ┆ FLAME CLASS :94V-2/94V-0
- ┆ COLOR:NATURAL
- ┆ UNIT:mm



PART NO	A	PACKAGE
YPRCCM-3	3.5	1000
YPRCCM-3V0	3.5	
YPRCCM-5	5.0	
YPRCCM-6	6.35	
YPRCCM-7	7.0	
YPRCCM-8	8.0	
YPRCCM-10	10.0	
YPRCCM-12A	12.0	
YPRCCM-12	12.7	
YPRCCM-14	14.0	
YPRCCM-16	15.9	
YPRCCM-18	18.0	
YPRCCM-19	19.0	
YPRCCM-25	25.4	
YPRCCM-30	30.0	

REVERSE LOCKING PCB SPACER SUPPORT

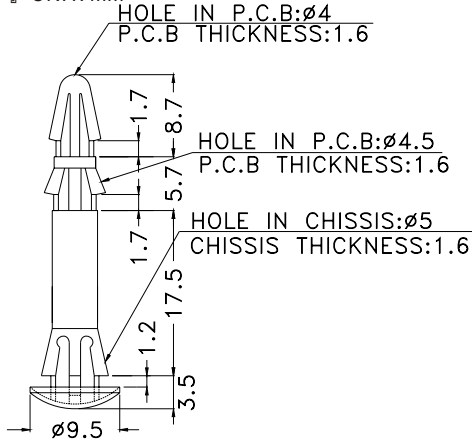
- ┆ MATERIAL: NYLON 66(UL)
- ┆ FLAME CLASS :94V-2
- ┆ COLOR:NATURAL
- ┆ UNIT:mm



PART NO.	A	PACKAGE
YPRCCF-5	5.0	2000
YPRCCF-6	6.35	
YPRCCF-8	8.0	1000
YPRCCF-10	10.0	
YPRCCF-12	12.7	
YPRCCF-15	15.9	

REVERSE LOCKING PCB SPACER SUPPORT

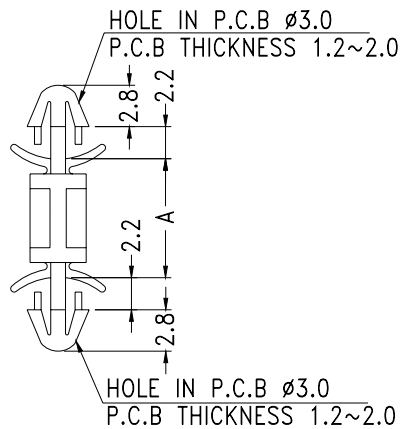
- 】 MATERIAL: NYLON 66(UL)
- 】 FLAME CLASS :94V-2
- 】 COLOR:NATURAL
- 】 UNIT: mm



PART NO	PACKAGE
YPRCCB-18	1000

PCB SPACER SUPPORT

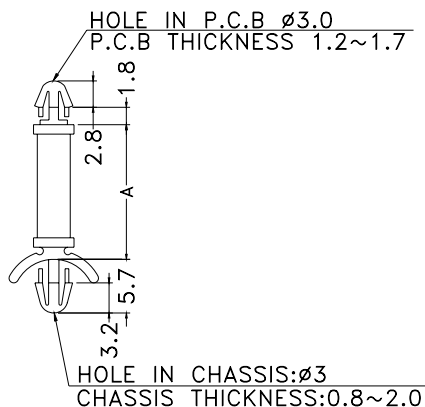
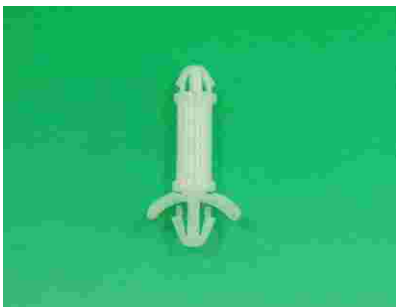
- 】 MATERIAL: NYLON 66(UL)
- 】 FLAME CLASS :94V-2
- 】 COLOR:NATURAL
- 】 UNIT: mm



PART NO	A	PACKAGE
YPLCCF-3	3.2	1000
YPLCCF-5	5.0	
YPLCCF-6	6.35	
YPLCCF-7	7.0	
YPLCCF-8	8.0	
YPLCCF-9	9.5	
YPLCCF-11	11.2	
YPLCCF-12	12.0	
YPLCCF-15	15.0	
YPLCCF-17	17.0	
YPLCCF-20	20.2	
YPLCCF-25	25.4	

PCB SPACER SUPPORT

- 】 MATERIAL: NYLON 66(UL)
- 】 FLAME CLASS :94V-2
- 】 COLOR:NATURAL
- 】 UNIT: mm



PART NO	A	PACKAGE
YPLCCG-3	3.2	1000
YPLCCG-5	4.8	
YPLCCG-6	6.4	
YPLCCG-8	7.9	
YPLCCG-9	9.5	
YPLCCG-11	11.1	
YPLCCG-12	12.7	
YPLCCG-14	14.3	
YPLCCG-15	15.9	
YPLCCG-19	19.0	