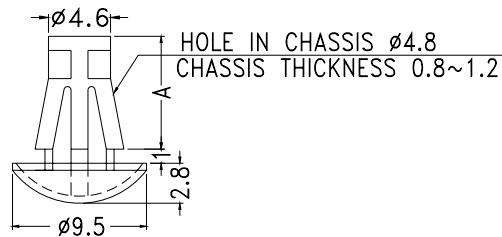


REVERSE LOCKING PCB SPACER SUPPORT

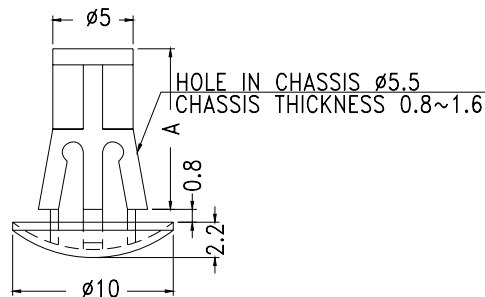
- ┆ MATERIAL: NYLON 66(UL)
- ┆ FLAME CLASS :94V-2
- ┆ COLOR:NATURAL
- ┆ UNIT:mm



PART NO	A	PACKAGE
YPRACD-3	3.0	1000
YPRACD-6	6.0	
YPRACD-8	8.0	
YPRACD-10	10.0	
YPRACD-11	11.0	

REVERSE LOCKING PCB SPACER SUPPORT

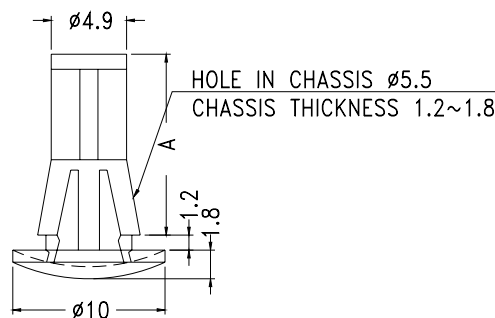
- ┆ MATERIAL: NYLON 66(UL)
- ┆ FLAME CLASS :94V-2
- ┆ COLOR:NATURAL
- ┆ UNIT:mm



PART NO	A	PACKAGE
YPRACM-3	3.5	1000
YPRACM-5	5.0	
YPRACM-6	6.35	
YPRACM-7	7.0	
YPRACM-8	8.0	
YPRACM-10	10.0	
YPRACM-12A	12.0	
YPRACM-12	12.7	
YPRACM-14	14.0	
YPRACM-16	15.9	
YPRACM-18	18.0	
YPRACM-19	19.0	
YPRACM-25	25.4	500
YPRACM-30	30.0	

REVERSE LOCKING PCB SPACER SUPPORT

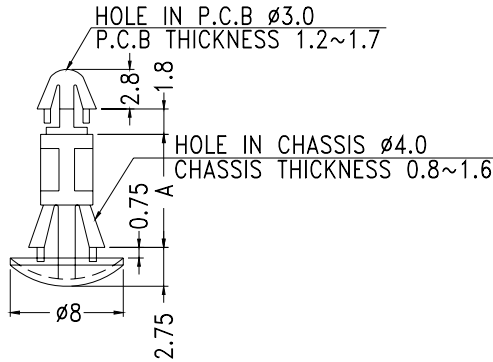
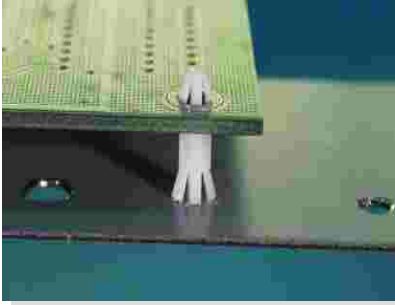
- ┆ MATERIAL: NYLON 66(UL)
- ┆ FLAME CLASS :94V-2
- ┆ COLOR:NATURAL
- ┆ UNIT:mm



PART NO	A	PACKAGE
YPRACS-5	5.4	1000
YPRACS-6	6.0	
YPRACS-7	7.0	
YPRACS-8	8.0	
YPRACS-10	10.0	
YPRACS-12	12.0	
YPRACS-14	14.0	
YPRACS-18	18.0	

REVERSE LOCKING PCB SPACER SUPPORT

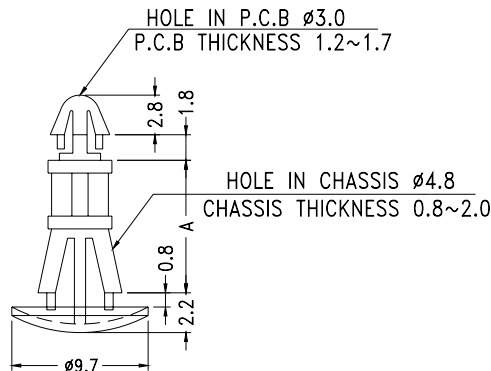
- ┆ MATERIAL: NYLON 66(UL)
- ┆ FLAME CLASS :94V-2
- ┆ COLOR:NATURAL
- ┆ UNIT:mm



PART NO	A	PACKAGE
YPRCCA-3	3.2	2000
YPRCCA-4	4.0	
YPRCCA-5	5.0	
YPRCCA-6	6.0	
YPRCCA-7	7.0	1000
YPRCCA-8	8.0	
YPRCCA-9	9.0	
YPRCCA-10	10.0	
YPRCCA-12	12.0	
YPRCCA-14	14.0	
YPRCCA-16	16.0	

REVERSE LOCKING PCB SPACER SUPPORT

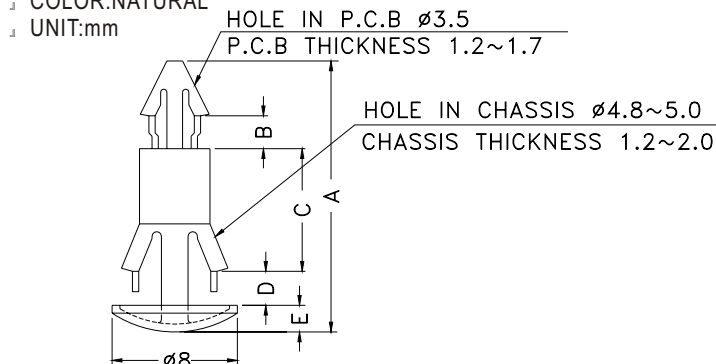
- ┆ MATERIAL: NYLON 66(UL)
- ┆ FLAME CLASS :94V-2
- ┆ COLOR:NATURAL
- ┆ UNIT:mm



PART NO	A	PACKAGE
YPRCCC-5	5.0	2000
YPRCCC-6	6.3	
YPRCCC-8	8.0	
YPRCCC-10	10.0	1000
YPRCCC-12	12.7	

REVERSE LOCKING PCB SPACER SUPPORT

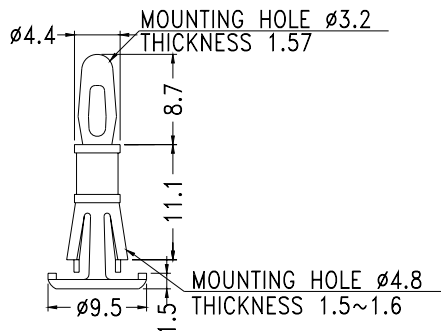
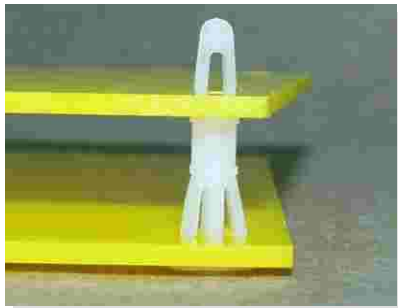
- ┆ MATERIAL: NYLON 66(UL)
- ┆ FLAME CLASS :94V-2
- ┆ COLOR:NATURAL
- ┆ UNIT:mm



PART NO.	A	B	C	D	E	PACKAGE
YPRCCT-4.5	13.6	2.1	4.5	2.17	1.7	1000
YPRCCT-8	17.0	2.1	7.9	2.17	1.7	

REVERSE LOCKING PCB SPACER SUPPORT

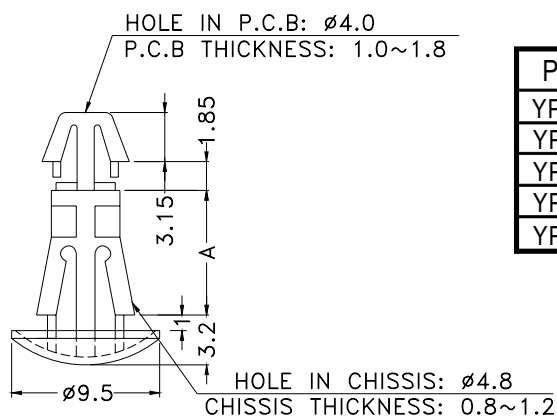
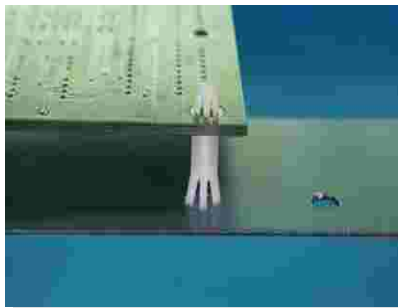
- ┆ MATERIAL: NYLON 66(UL)
- ┆ FLAME CLASS :94V-2
- ┆ COLOR:NATURAL
- ┆ UNIT:mm



PART NO	PACKAGE
YPRCCV-11.1	1000

REVERSE LOCKING PCB SPACER SUPPORT

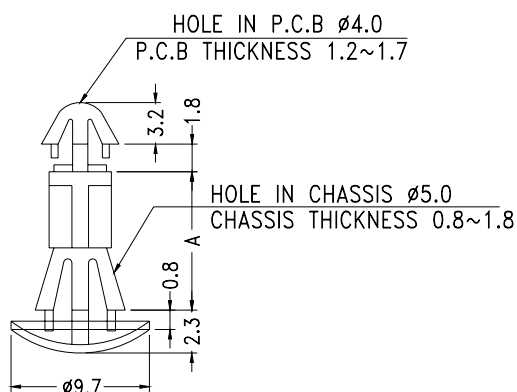
- ┆ MATERIAL: NYLON 66(UL)
- ┆ FLAME CLASS :94V-2
- ┆ COLOR:NATURAL
- ┆ UNIT:mm



PART NO	A	PACKAGE
YPRCCD-3	3.0	2000
YPRCCD-6	6.3	
YPRCCD-8	8.0	
YPRCCD-10	10.0	
YPRCCD-11	11.0	

REVERSE LOCKING PCB SPACER SUPPORT

- ┆ MATERIAL: NYLON 66(UL)
- ┆ FLAME CLASS :94V-2
- ┆ COLOR:NATURAL
- ┆ UNIT:mm



PART NO	A	PACKAGE
YPRCCS-6	6	1000
YPRCCS-16	16	