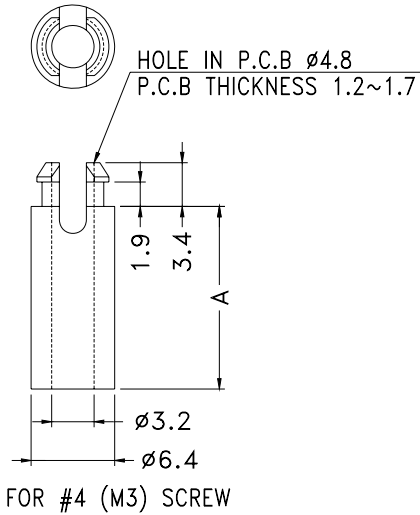


PCB SPACER SUPPORT

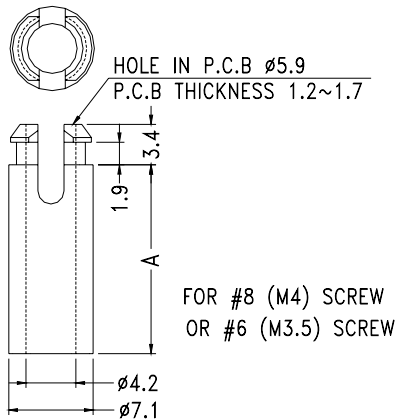
- ┆ MATERIAL:NYLON 66(UL)
- ┆ FLAME CLAYPSSC :94V-2
- ┆ COLOR:NATURAL
- ┆ UNIT:mm



PART NO	A	PACKAGE
YPSSC-3	3.2	1000
YPSSC-3.5	3.5	
YPSSC-4	4.0	
YPSSC-5	4.8	
YPSSC-6	6.4	
YPSSC-8	7.9	
YPSSC-10	9.5	
YPSSC-11	11.1	
YPSSC-12A	12.0	
YPSSC-12	12.7	
YPSSC-14	14.2	
YPSSC-15	15.0	
YPSSC-16	15.9	
YPSSC-19	19.1	
YPSSC-22	22.2	500
YPSSC-25	25.4	

PCB SPACER SUPPORT

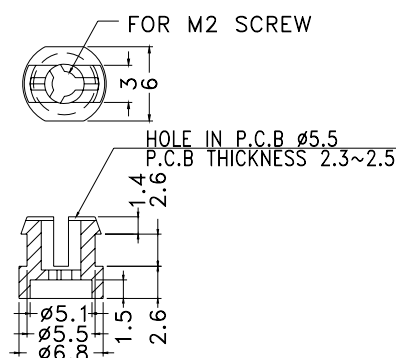
- ┆ MATERIAL:NYLON 66(UL)
- ┆ FLAME CLAYPSSC :94V-2
- ┆ COLOR:NATURAL
- ┆ UNIT:mm



PART NO	A	PACKAGE
YPSSC4-6	6.4	1000
YPSSC4-8	7.9	
YPSSC4-9	9.5	
YPSSC4-11	11.1	
YPSSC4-12	12.7	
YPSSC4-16	15.9	
YPSSC4-17	17.0	
YPSSC4-19	19.1	
YPSSC4-22	22.2	500
YPSSC4-25	25.4	

PCB SPACER SUPPORT

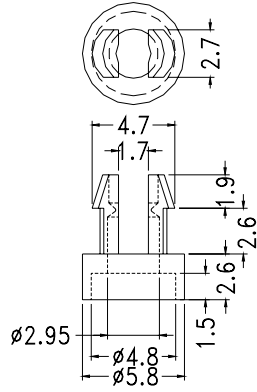
- ┆ MATERIAL:NYLON 66(UL)
- ┆ FLAME CLAYPSSC :94V-2
- ┆ COLOR:BLACK
- ┆ UNIT:mm



PART NO	PACKAGE
YPSOCR-1	2000

PCB SPACER SUPPORT

- 」 MATERIAL: NYLON 66(UL)
- 」 FLAME CLASS :94V-2
- 」 COLOR:BLACK
- 」 UNIT:mm

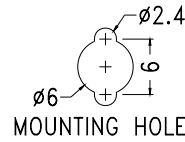
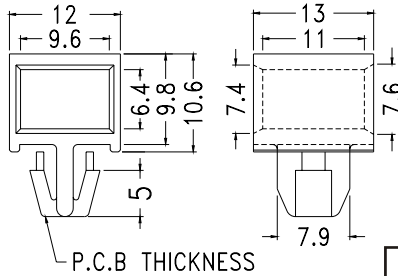


MOUNTING HOLE $\phi 4.0$

PART NO	PACKAGE
YPSOCR-2	2000

PCB SPACER SUPPORT

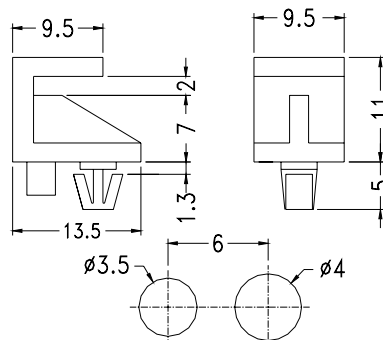
- 」 MATERIAL: NYLON 66(UL)
- 」 FLAME CLASS :94V-2
- 」 COLOR:NATURAL
- 」 UNIT:mm



PART NO.	P.C.B THICKNESS	PACKAGE
YPLDCD-10	1.6~1.8	500
YPLDCD-10(2)	1.8~2.0	

PCB SPACER SUPPORT

- 」 MATERIAL: NYLON 66(UL)
- 」 FLAME CLASS :94V-2
- 」 COLOR:NATURAL
- 」 UNIT:mm

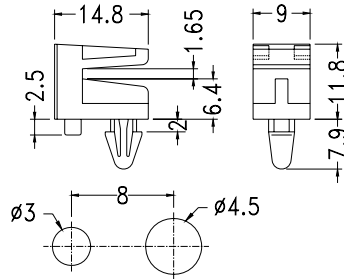


MOUNTING HOLES

PART NO	PACKAGE
YPUBC-6	1000

PCB SPACER SUPPORT

- 』 MATERIAL: NYLON 66(UL)
- 』 FLAME CLASS :94V-2
- 』 COLOR:NATURAL
- 』 UNIT:mm

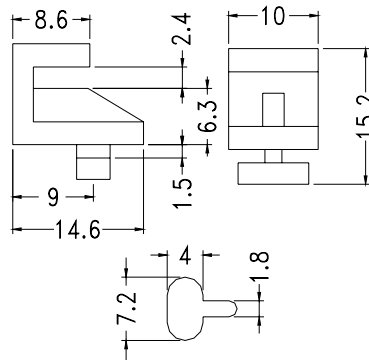


MOUNTING HOLES

PART NO	PACKAGE
YPUBC-6D	1000

PCB SPACER SUPPORT

- 』 MATERIAL: NYLON 66(UL)
- 』 FLAME CLASS :94V-2
- 』 COLOR:NATURAL
- 』 UNIT:mm

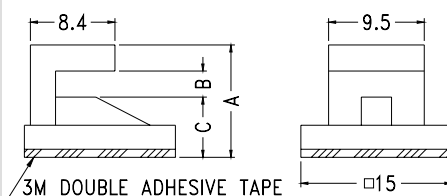


MOUNTING HOLE

PART NO	PACKAGE
YPUBC-6E	1000

PCB SPACER SUPPORT

- 』 MATERIAL: NYLON 66(UL)
- 』 FLAME CLASS :94V-2
- 』 COLOR:NATURAL/BLACK
- 』 UNIT:mm



PART NO	A	B	C	PACKAGE
YPUBC-6A	11.3	2.6	6.0	1000
YPUBC-8A	12.8	2.4	7.9	
YPUBC-10A	15.0	2.5	10.0	
YPUBC-11A	15.8	2.5	10.8	
YPUBC-12A	17.0	2.5	12.0	