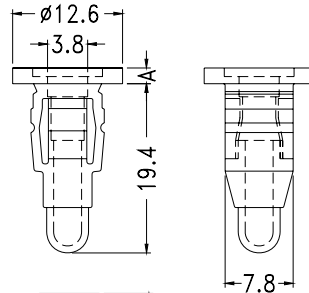
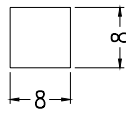


## PCB SPACER SUPPORT

- 】 MATERIAL: NYLON 66(UL)
- 】 FLAME CLASS :94V-2
- 】 COLOR:NATURAL
- 】 UNIT:□



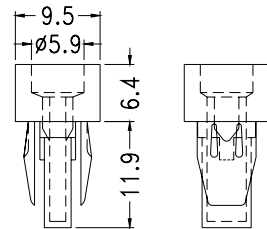
PART NO.	A	PACKAGE
YPYE CS-08	0.8	500
YPYE CS-32	3.2	
YPYE CS-48	4.8	



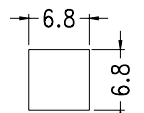
MOUNTING HOLE

## PCB SPACER SUPPORT

- 】 MATERIAL: NYLON 66(UL)
- 】 FLAME CLASS :94V-2
- 】 COLOR:NATURAL
- 】 UNIT:mm



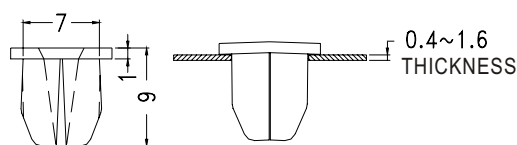
PART NO	PACKAGE
YPESC-1	1000



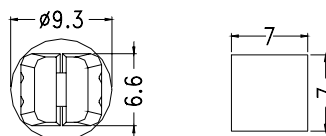
MOUNTING HOLE

## PLASTIC CONICAL ANCHORS

- 】 MATERIAL: NYLON 66(UL)
- 】 FLAME CLASS :94V-2
- 】 COLOR:NATURAL
- 】 UNIT:mm



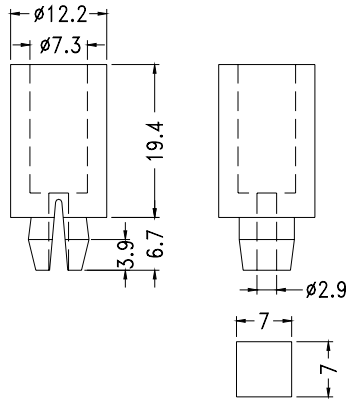
PART NO	PACKAGE
YPESCS-1	1000



MOUNTING HOLE

## PLASTIC CONICAL ANCHORS

- 】 MATERIAL: NYLON 66(UL)
- 】 FLAME CLASS :94V-2
- 】 COLOR:NATURAL
- 】 UNIT:mm

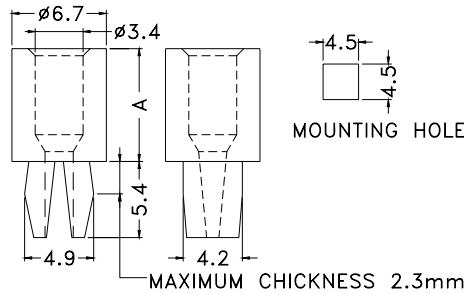


MOUNTING HOLE

PART NO	PACKAGE
YPESCS-19	1000

## PLASTIC CONICAL ANCHORS

- 】 MATERIAL: NYLON 66(UL)
- 】 FLAME CLASS :94V-2
- 】 COLOR:NATURAL
- 】 UNIT:mm

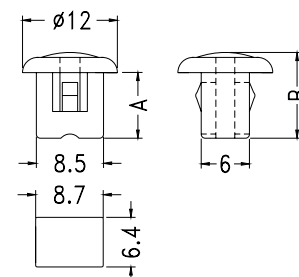


MAXIMUM CHICKNESS 2.3mm

PART NO.	A	PACKAGE
YPETCS-3.2	3.2	2000
YPETCS-4.8	4.8	
YPETCS-6.3	6.3	1000
YPETCS-8	8.0	
YPETCS-10	10.0	
YPETCS-12	12.7	
YPETCS-16	15.9	
YPETCS-19	19.1	

## PCB SPACER SUPPORT

- 】 MATERIAL: NYLON 66(UL)
- 】 FLAME CLASS :94V-2
- 】 COLOR:NATURAL/WHITH
- 】 UNIT:mm

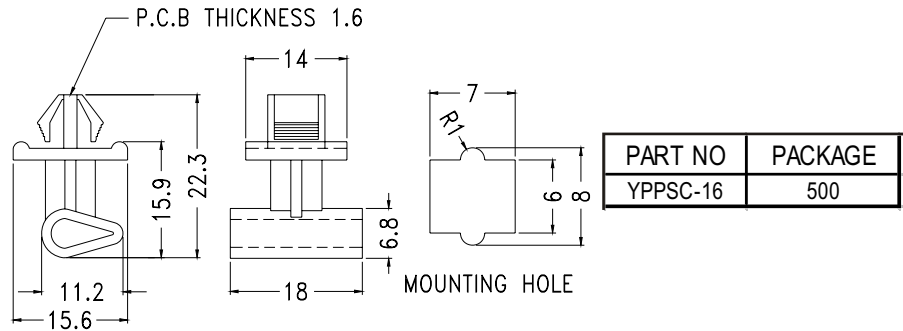


MOUNTING HOLE

PART NO	A	B	PACKAGE
YPLHCC-8	8.4	10.8	1000
YPLHCC-12	12.5	14.9	

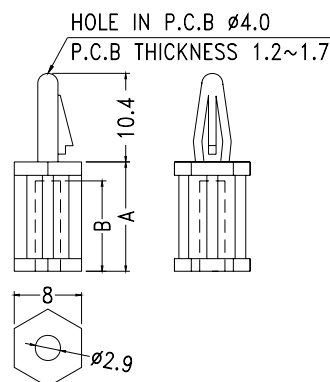
## PCB SPACER SUPPORT

- ┆ MATERIAL:NYLON 66(UL)
- ┆ FLAME CLASS :94V-2
- ┆ COLOR:NATURAL
- ┆ UNIT:mm



## PCB SPACER SUPPORT

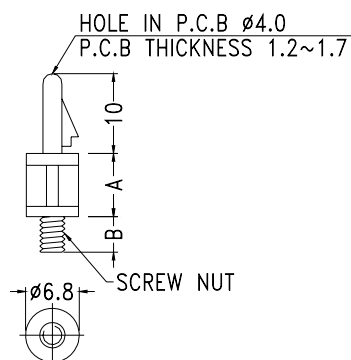
- ┆ MATERIAL:NYLON 66(UL)
- ┆ FLAME CLASS :94V-2
- ┆ COLOR:NATURAL
- ┆ UNIT:mm



PART NO.	A	B	PACKAGE
YPBSC-6	6.4	4.8	1000
YPBSC-9	9.6	8.0	
YPBSC-12	12.8	11.0	
YPBSC-14	14.0	12.7	
YPBSC-15	16.0	13.0	
YPBSC-19	19.2	16.2	
YPBSC-22	22.4	19.4	
YPBSC-25	25.6	24.0	
YPBSC-28	29.0	25.9	

## PCB SPACER SUPPORT

- ┆ MATERIAL:NYLON 66(UL)
- ┆ FLAME CLASS :94V-2
- ┆ COLOR:NATURAL
- ┆ UNIT:mm



PART NO	A	B	SCREW NUT	PACKAGE
YPSCCB-6	6.3	7.8	6-32 UNC	1000
YPSCCB-10	9.5	7.8	6-32 UNC	
YPSCCB-12	12.7	7.8	6-32 UNC	
YPSCCB-15	15.9	7.8	6-32 UNC	