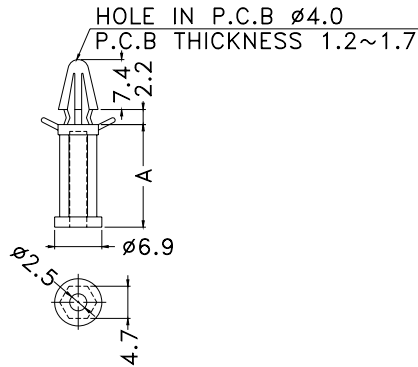


PCB SPACER SUPPORT

- ┆ MATERIAL: NYLON 66(UL)
- ┆ FLAME CLASS :94V-2
- ┆ COLOR: NATURAL
- ┆ UNIT: mm

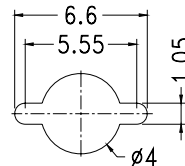
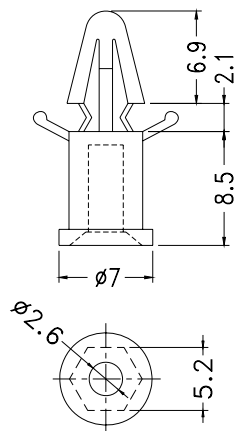


PART NO	A	PACKAGE
YPTCCBS-5	5.0	1000
YPTCCBS-6	6.35	
YPTCCBS-7	7.0	
YPTCCBS-10	10.0	
YPTCCBS-15	15.0	
YPTCCBS-20	20.0	
YPTCCBS-25	25.0	
YPTCCBS-30	30.0	
YPTCCBS-35	35.0	

FOR M3 SELF TAPPED SCREW

PCB SPACER SUPPORT

- ┆ MATERIAL: NYLON 66(UL)
- ┆ FLAME CLASS :94V-2
- ┆ COLOR: NATURAL
- ┆ UNIT: mm

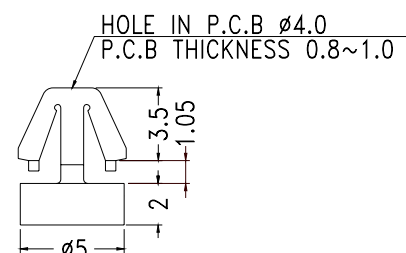
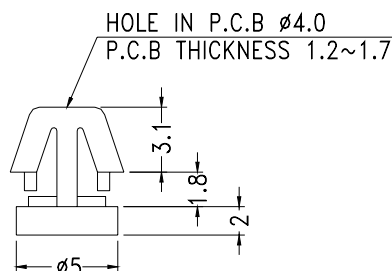


PART NO	PACKAGE
YPTCCBT-8.5	1000

HOLE IN PCB
PCB THICKNESS 1.2~1.7

PCB SPACER SUPPORT

- ┆ MATERIAL: NYLON 66(UL)
- ┆ FLAME CLASS :94V-2
- ┆ COLOR: NATURAL
- ┆ UNIT: mm

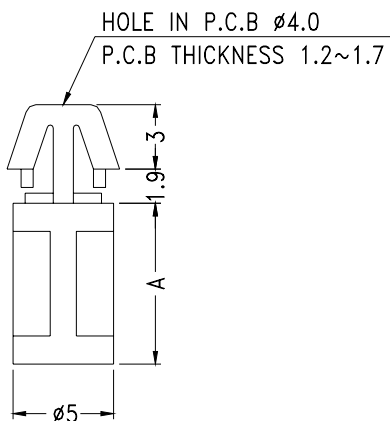


PART NO	PACKAGE
YPMCC-2	2000

PART NO	PACKAGE
YPMCC-2-1.2	2000

PCB SPACER SUPPORT

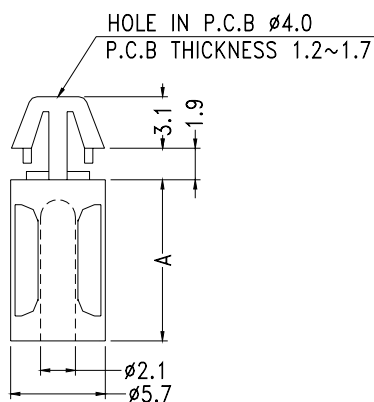
- 」 MATERIAL:NYLON 66(UL)
- 」 FLAME CLASS :94V-2
- 」 COLOR:NATURAL
- 」 UNIT:mm



PART NO	A	PACKAGE
YPMCC-3	3.0	2000
YPMCC-4	4.0	
YPMCC-5	5.0	
YPMCC-6	6.3	
YPMCC-7	7.0	
YPMCC-8	8.0	
YPMCC-10	10.0	
YPMCC-12	12.7	1000

PCB SPACER SUPPORT

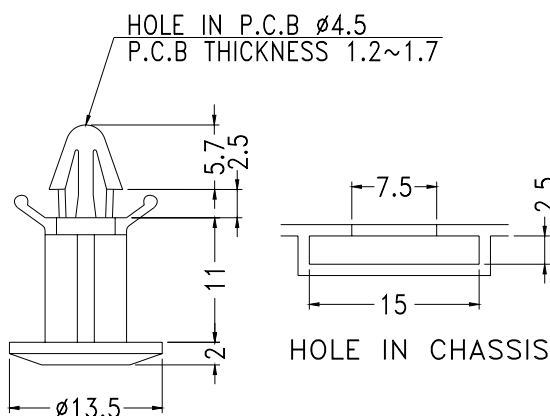
- 」 MATERIAL:NYLON 66(UL)
- 」 FLAME CLASS :94V-2
- 」 COLOR:NATURAL
- 」 UNIT:mm



PART NO	A	PACKAGE
YPMCCH-6	6.35	1000
YPMCCH-10	9.7	
YPMCCH-12	12.7	

PCB SPACER SUPPORT

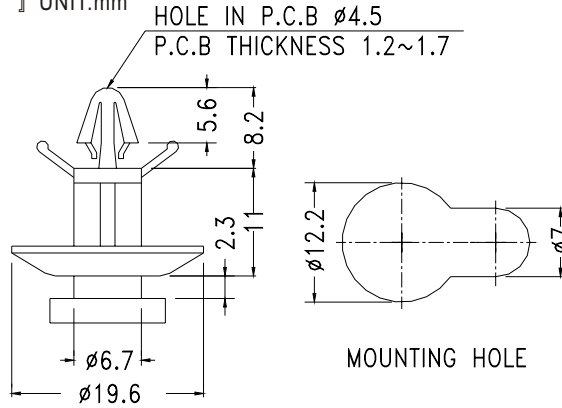
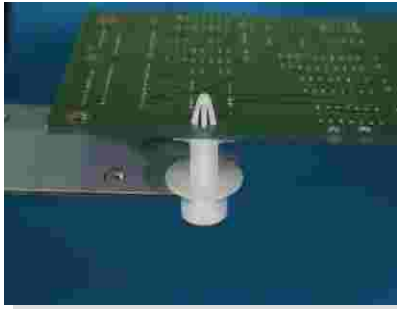
- 」 MATERIAL:NYLON 66(UL)
- 」 FLAME CLASS :94V-2
- 」 COLOR:NATURAL
- 」 UNIT:mm



PART NO	PACKAGE
YPMTC-11	500

PCB SPACER SUPPORT / STANDOFFS

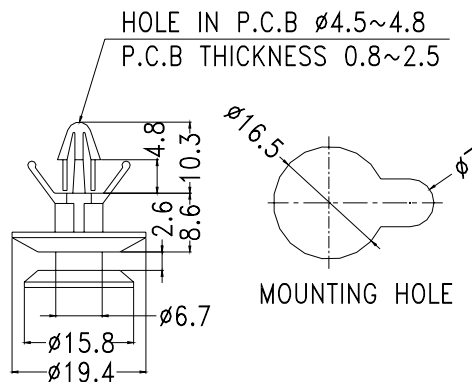
- 」 MATERIAL: NYLON 66(UL)
- 」 FLAME CLASS :94V-2
- 」 COLOR:NATURAL
- 」 UNIT:mm



PART NO	PACKAGE
YPMBCC-11	500

PCB SPACER SUPPORT / STANDOFFS

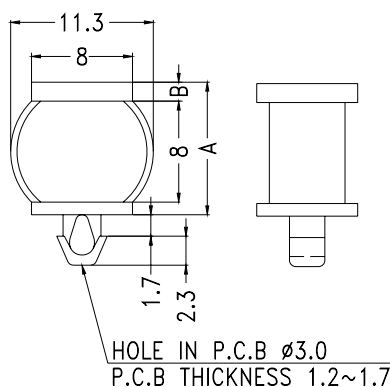
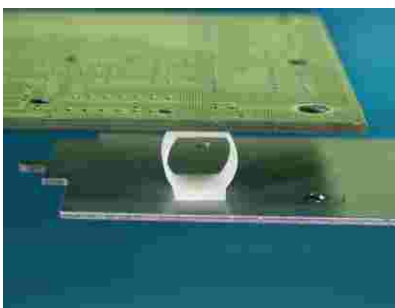
- 」 MATERIAL: NYLON 66(UL)
- 」 FLAME CLASS :94V-2
- 」 COLOR:NATURAL
- 」 UNIT:mm



PART NO	PACKAGE
YPMBCD-10	500

PCB SPACER SUPPORT / STANDOFFS

- 」 MATERIAL: NYLON 66(UL)
- 」 FLAME CLASS :94V-2
- 」 COLOR:NATURAL
- 」 UNIT:mm



PART NO	A	B	PACKAGE
YPLICO-10	10	1	2000
YPLICO-10	10.5	1.5	