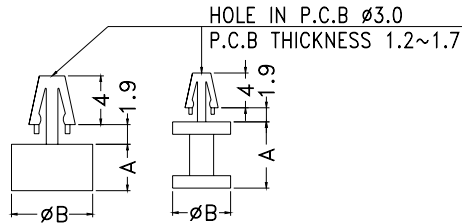
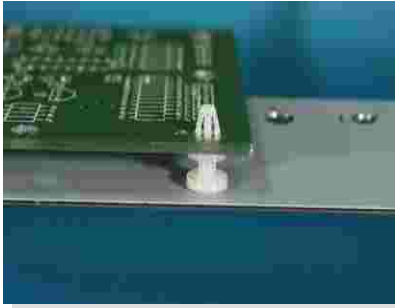


## PCB SPACER SUPPORT

- 』 MATERIAL:NYLON 66(UL)
- 』 FLAME CLASS :94V-2
- 』 COLOR:NATURAL
- 』 UNIT:mm

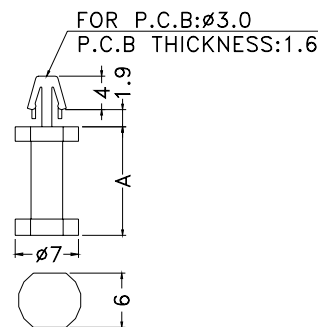
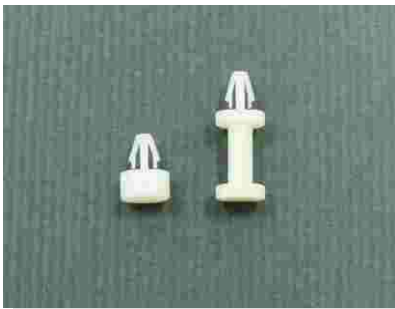


ONLY FOR  
DCB-2  
DCB-2.5  
DCB-3.5  
DCB-4

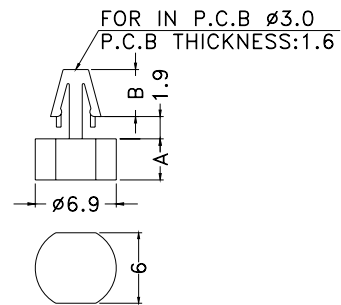
PART NO	A	B	PACKAGE
YPDCCB-2	2.0	6.5	2000
YPDCCB-2.5	2.5	6.5	
YPDCCB-3.5	3.5	6.8	1000
YPDCCB-4	4.0	6.8	
YPDCCB-5	5.0	6.0	
YPDCCB-6	6.0	6.8	
YPDCCB-6.5	6.5	6.0	
YPDCCB-7	7.0	6.0	
YPDCCB-8	8.0	6.8	
YPDCCB-10	10.0	6.8	
YPDCCB-15	15.0	6.0	

## PCB SPACER SUPPORT

- 』 MATERIAL:NYLON 66(UL)
- 』 FLAME CLASS :94V-2
- 』 COLOR:NATURAL
- 』 UNIT:mm



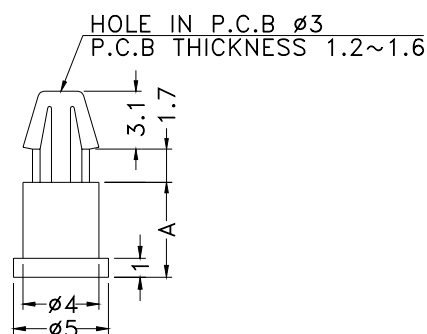
PART NO.	A	PACKAGE
YPDCCB-7D	7.0	1000
YPDCCB-11D	11.0	
YPDCCB-12D	12.0	



PART NO.	A	B	PACKAGE
YPDCCB-3D	3.0	3.7	2000
YPDCCB-3.5D	3.5	4.0	

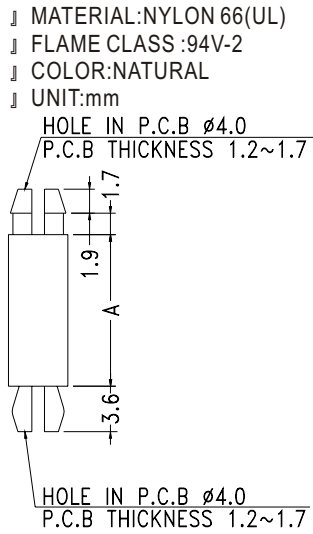
## PCB SPACER SUPPORT

- 』 MATERIAL:NYLON 66(UL)
- 』 FLAME CLASS :94V-2
- 』 COLOR:NATURAL
- 』 UNIT:mm



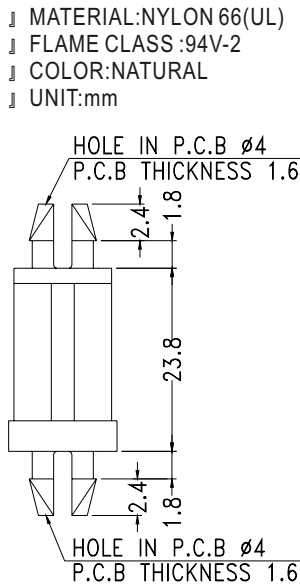
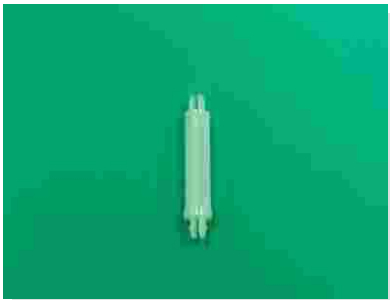
PART NO.	A	PACKAGE
YPDCCC-2	2.0	2000
YPDCCC-2.5	2.5	
YPDCCC-3	3.0	1000
YPDCCC-3.5	3.5	
YPDCCC-4	4.0	
YPDCCC-4.5	4.5	
YPDCCC-5	5.0	
YPDCCC-5.5	5.5	
YPDCCC-6	6.0	
YPDCCC-6.5	6.5	

## PCB SPACER SUPPORT / STANDOFFS



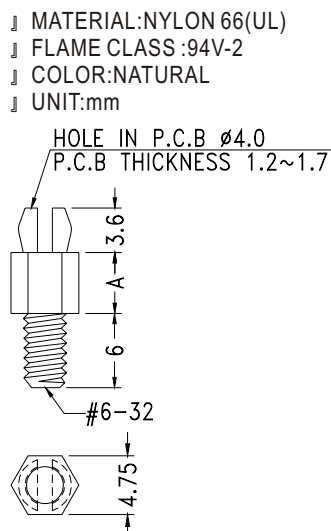
PART NO	A	PACKAGE
YPMSCP-3	3.2	1000
YPMSCP-5	5.0	
YPMSCP-6	6.3	
YPMSCP-7	7.0	
YPMSCP-8	8.0	
YPMSCP-9	9.5	
YPMSCP-10	10.5	
YPMSCP-12	12.7	
YPMSCP-14	14.0	
YPMSCP-15	15.9	
YPMSCP-19	19.0	
YPMSCP-22	22.0	

## PCB SPACER SUPPORT / STANDOFFS



PART NO	PACKAGE
YPMSCPM-24	1000

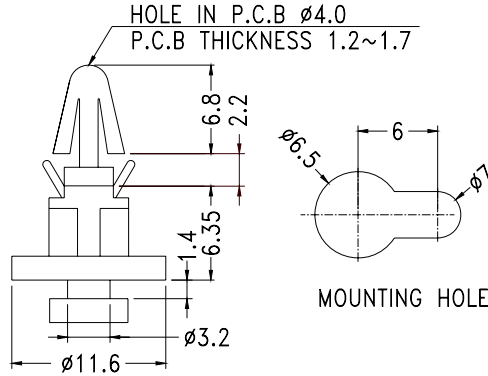
## PCB SPACER SUPPORT / STANDOFFS



PART NO	A	PACKAGE
YPMSCPS-3	3.2	2000
YPMSCPS-5	4.8	1000

## PCB SPACER SUPPORT / STANDOFFS

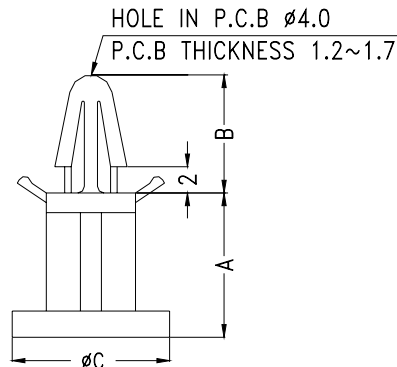
- 」 MATERIAL:NYLON 66(UL)
- 」 FLAME CLASS :94V-2
- 」 COLOR:NATURAL
- 」 UNIT:mm



PART NO	PACKAGE
YPMCCB-6	500

## PCB SPACER SUPPORT / STANDOFFS

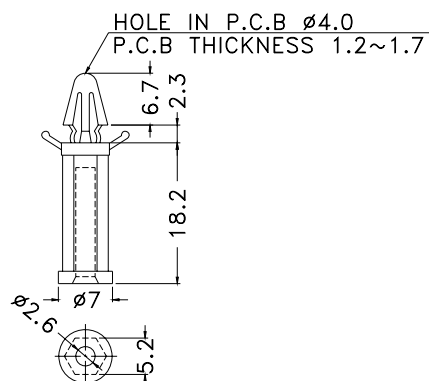
- 」 MATERIAL:NYLON 66(UL)
- 」 FLAME CLASS :94V-2
- 」 COLOR:NATURAL
- 」 UNIT:mm



PART NO	A	B	C	PACKAGE
YPMBCS-6	6.4	9.5	11.8	1000
YPMBCS-8	8.0	9.5	11.8	
YPMBCS-10	10.0	9.0	12.0	500
YPMBCS-11	11.0	9.0	12.0	

## PCB SPACER SUPPORT / STANDOFFS

- 」 MATERIAL:NYLON 66(UL)
- 」 FLAME CLASS :94V-2
- 」 COLOR:NATURAL
- 」 UNIT:mm



PART NO	PACKAGE
YPTCCBS-18	1000

FOR M3 SELF TAPPED SCREW