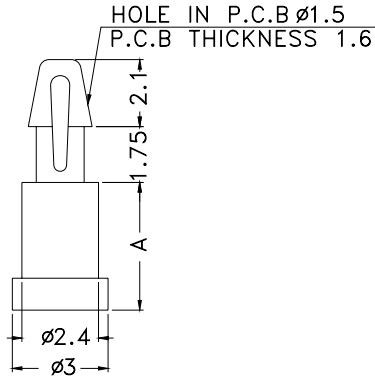


## PCB SPACER SUPPORT/STANDOFFS

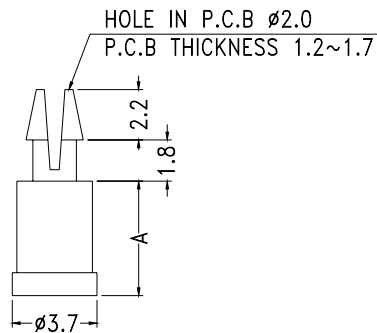
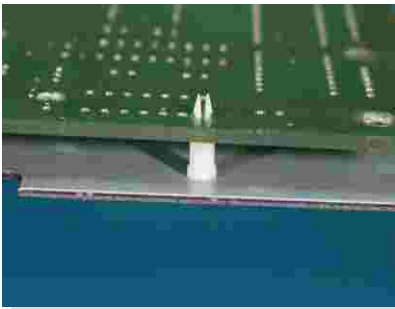
- ┆ MATERIAL: NYLON 66(UL)
- ┆ FLAME CLASS :94V-2
- ┆ COLOR:NATURAL
- ┆ UNIT:mm



PART NO	A	PACKAGE
YPMACSS-2	2.0	2000
YPMACSS-2.5	2.5	
YPMACSS-3	3.0	
YPMACSS-3.5	3.5	
YPMACSS-4	4.0	
YPMACSS-5	5.0	
YPMACSS-6	6.0	
YPMACSS-6.5	6.5	

## PCB SPACER SUPPORT/STANDOFFS

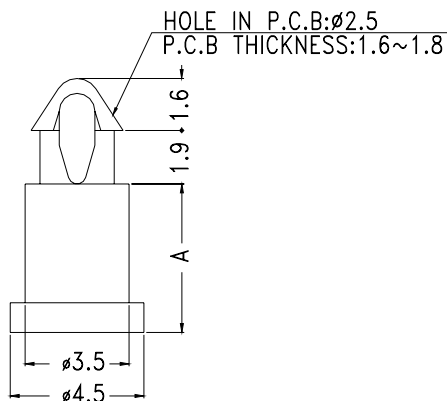
- ┆ MATERIAL: NYLON 66(UL)
- ┆ FLAME CLASS :94V-2
- ┆ COLOR:NATURAL
- ┆ UNIT:mm



PART NO	A	PACKAGE
YPMSC-4	4.0	2000
YPMSC-5	5.0	

## PCB SPACER SUPPORT/STANDOFFS

- ┆ MATERIAL: NYLON 66(UL)
- ┆ FLAME CLASS :94V-2
- ┆ COLOR:NATURAL
- ┆ UNIT:mm

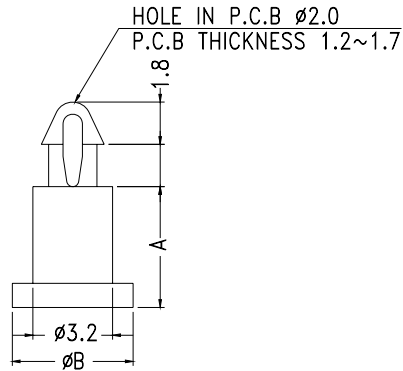


PART NO	A	PACKAGE
YPMACM-1.5	1.5	2000
YPMACM-2.5	2.5	
YPMACM-3	3.0	
YPMACM-3.5	3.5	
YPMACM-4	4.0	
YPMACM-4.5	4.5	
YPMACM-5	5.0	
YPMACM-6	6.0	

## PCB SPACER SUPPORT/STANDOFFS



- 】 MATERIAL:NYLON 66(UL)
- 】 FLAME CLASS :94V-2/94V-0
- 】 COLOR:NATURAL
- 】 UNIT:mm

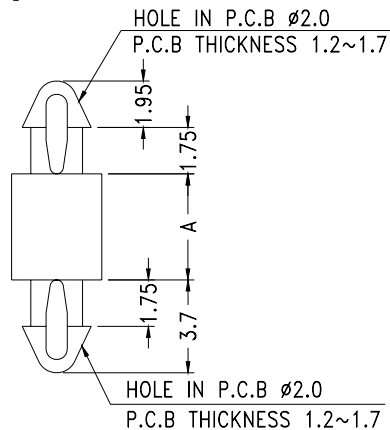


PART NO	A	B	PACKAGE
YPMAC-2	2.0	4.2	2000
YPMAC-2.5	2.5	4.2	
YPMAC-3	3.0	4.8	
YPMAC-4	4.0	4.8	
YPMAC-5	5.0	4.8	
YPMAC-6	6.0	5.0	
YPMAC-6.5	6.5	5.0	

## PCB SPACER SUPPORT/STANDOFFS



- 】 MATERIAL:NYLON 66(UL)
- 】 FLAME CLASS :94V-2
- 】 COLOR:NATURAL
- 】 UNIT:mm

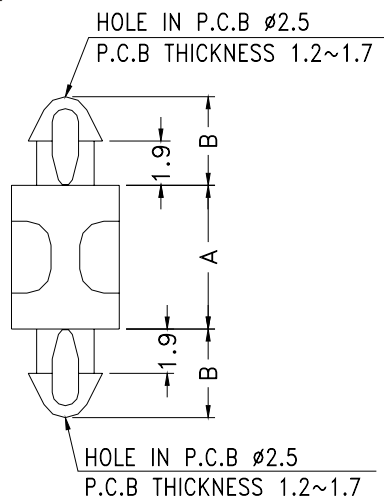


PART NO	A	PACKAGE
YPMACD-4	4.0	2000
YPMACD-6	6.0	
YPMACD-6.5	6.5	
YPMACD-8	8.0	
YPMACD-10	10.5	

## PCB SPACER SUPPORT/STANDOFFS



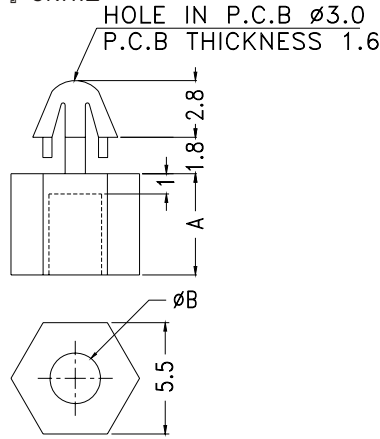
- 】 MATERIAL:NYLON 66(UL)
- 】 FLAME CLASS :94V-2
- 】 COLOR:NATURAL
- 】 UNIT:mm



PART NO	A	B	PACKAGE
YPMACDM-2	2.0	3.7	2000
YPMACDM-3	3.0		
YPMACDM-4	4.0	3.9	
YPMACDM-5	5.0		
YPMACDM-6	6.0		
YPMACDM-7.5	7.5		
YPMACDM-8	8.0		
YPMACDM-10A	10.0		
YPMACDM-10	10.5	3.8	
YPMACDM.12.7	12.7		

## PCB SPACER SUPPORT

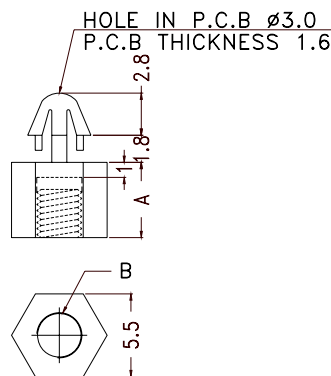
- ┆ MATERIAL: NYLON 66(UL)
- ┆ FLAME CLASS :94V-2
- ┆ COLOR:NATURAL
- ┆ UNIT:□



PART NO	A	B	PACKAGE
YPMACE-5	5.0	2.5	2000
YPMACE-6	6.0	2.5	
YPMACE-7	7.0	2.5	
YPMACE-8	8.0	2.5	
YPMACE-9	9.0	2.5	
YPMACE-10	10.0	2.5	

## PCB SPACER SUPPORT

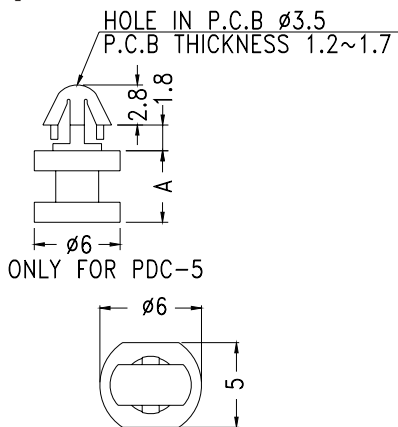
- ┆ MATERIAL: NYLON 66(UL)
- ┆ FLAME CLASS :94V-2
- ┆ COLOR:NATURAL
- ┆ UNIT:□



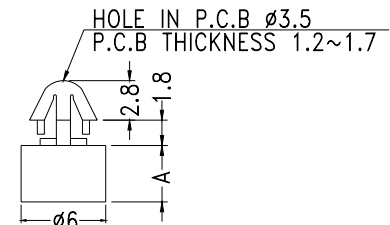
PART NO	A	B	PACKAGE
YPMACE-5T	5.0	M3X0.5P	2000
YPMACE-6T	6.0	M3X0.5P	
YPMACE-7T	7.0	M3X0.5P	
YPMACE-8T	8.0	M3X0.5P	
YPMACE-9T	9.0	M3X0.5P	
YPMACE-10T	10.0	M3X0.5P	

## PCB SPACER SUPPORT

- ┆ MATERIAL: NYLON 66(UL)
- ┆ FLAME CLASS :94V-2/94V-0
- ┆ COLOR:NATURAL
- ┆ UNIT:□



ONLY FOR PDC-4.5D, PDC-5.5D,  
 PDC-6D, PDC-6.5D, PDC-7D



PART NO.	A	PACKAGE
YPPDCC-3	3.0	2000
YPPDCC-3.5	3.5	
YPPDCC-4	4.0	
YPPDCC-5	5.0	
YPPDCC-4.5D	4.5	
YPPDCC-5.5D	5.5	
YPPDCC-6D	6.0	
YPPDCC-6.5D	6.5	
YPPDCC-7D	7.0	