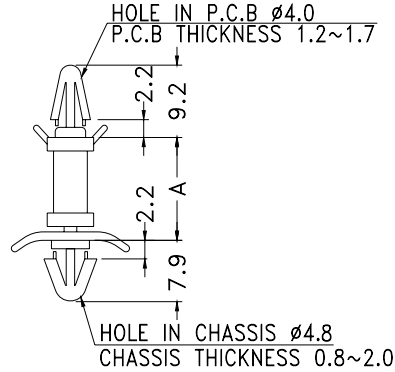


PCB SPACER SUPPORT

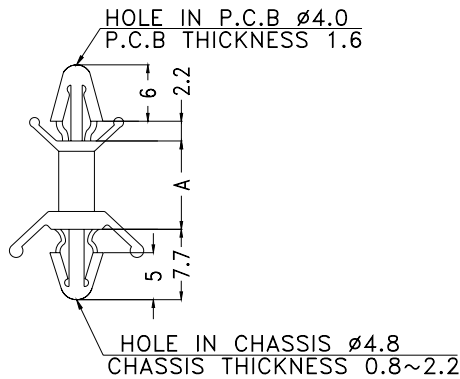
- ┆ MATERIAL: NYLON 66(UL)
- ┆ FLAME CLASS :94V-2
- ┆ COLOR:NATURAL
- ┆ UNIT:mm



PART NO	A	PACKAGE
YPLCCB-5	5.0	1000
YPLCCB-6	6.3	
YPLCCB-8	8.0	
YPLCCB-10	10.0	
YPLCCB-12	12.7	
YPLCCB-15	15.9	
YPLCCB-20	20.0	
YPLCCB-25	25.0	

PCB SPACER SUPPORT

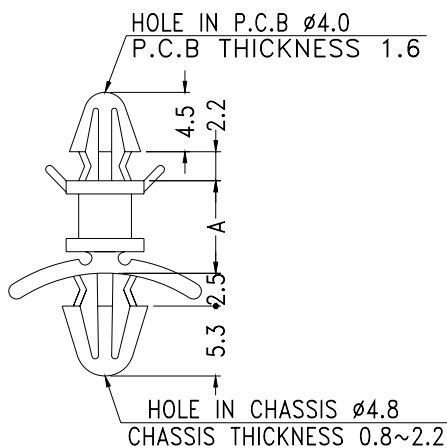
- ┆ MATERIAL: NYLON 66(UL)
- ┆ FLAME CLASS :94V-2
- ┆ COLOR:NATURAL
- ┆ UNIT:mm



PART NO	A	PACKAGE
YPCBCS-5	4.6	1000
YPCBCS-6	6.3	
YPCBCS-8	8.0	
YPCBCS-9	9.2	
YPCBCS-12	12.5	
YPCBCS-15	15.7	
YPCBCS-19	19.0	
YPCBCS-22	22.0	
YPCBCS-25	25.4	1000
YPCBCS-28	28.6	

PCB SPACER SUPPORT

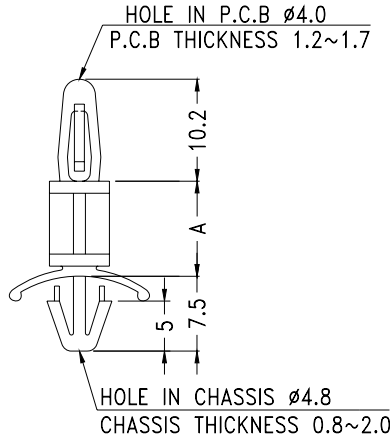
- ┆ MATERIAL: NYLON 66(UL)
- ┆ FLAME CLASS :94V-2
- ┆ COLOR:NATURAL
- ┆ UNIT:mm



PART NO.	A	PACKAGE
YPLCCBS-4	4.0	1000
YPLCCBS-5	5.0	
YPLCCBS-6	6.35	
YPLCCBS-7	7.0	
YPLCCBS-9	9.2	
YPLCCBS-10	10.0	
YPLCCBS-12	12.5	
YPLCCBS-15	15.7	
YPLCCBS-19	19.0	500
YPLCCBS-20	20.0	
YPLCCBS-22	22.0	
YPLCCBS-25	25.4	
YPLCCBS-28	28.6	
YPLCCBS-30	30.0	
YPLCCBS-35	35.0	
YPLCCBS-38	38.0	
YPLCCBS-45	45.0	

PCB SPACER SUPPORT

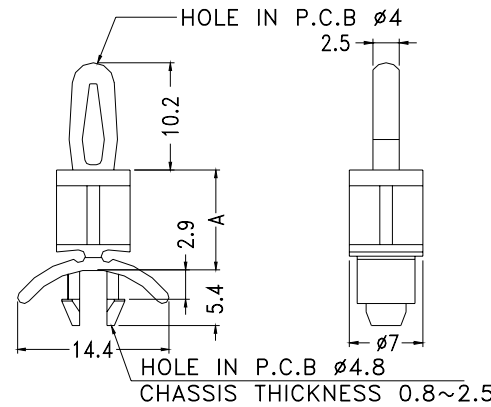
- ┆ MATERIAL: NYLON 66(UL)
- ┆ FLAME CLASS :94V-2
- ┆ COLOR:NATURAL
- ┆ UNIT:mm



PART NO	A	PACKAGE
YPLCCS-3	3.5	1000
YPLCCS-5	4.8	
YPLCCS-6	6.0	
YPLCCS-6A	6.4	
YPLCCS-8	7.9	
YPLCCS-9	9.5	
YPLCCS-11	11.1	
YPLCCS-12	12.7	
YPLCCS-16	15.9	
YPLCCS-19	19.1	
YPLCCS-22	22.2	
YPLCCS-25	25.4	
YPLCCS-28	28.6	
YPLCCS-31	31.7	
YPLCCS-35	34.9	

PCB SPACER SUPPORT

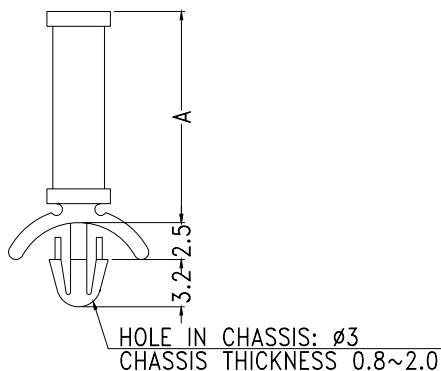
- ┆ MATERIAL: NYLON 66(UL)
- ┆ FLAME CLASS :94V-2
- ┆ COLOR:NATURAL
- ┆ UNIT:mm



PART NO.	A	PACKAGE
YPUCCBS-5	4.8	1000
YPUCCBS-6	6.4	
YPUCCBS-9	9.5	
YPUCCBS-12	12.7	
YPUCCBS-15	15.9	
YPUCCBS-19	19.1	
YPUCCBS-22	22.2	

PCB SPACER SUPPORT

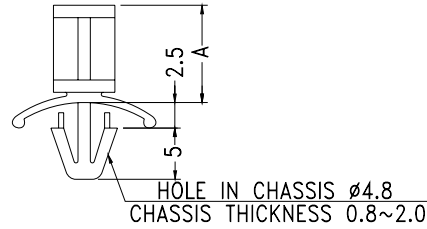
- ┆ MATERIAL: NYLON 66(UL)
- ┆ FLAME CLASS :94V-2
- ┆ COLOR:NATURAL
- ┆ UNIT:mm



PART NO	A	PACKAGE
YPLBCS-3	3.2	1000
YPLBCS-5	4.8	
YPLBCS-6	6.4	
YPLBCS-8	7.9	
YPLBCS-9	9.5	
YPLBCS-11	11.1	
YPLBCS-12	12.7	
YPLBCS-14	14.3	
YPLBCS-15	15.9	
YPLBCS-19	19.0	

PCB SPACER SUPPORT

- ┆ MATERIAL:NYLON 66(UL)
- ┆ FLAME CYPLACSS :94V-2
- ┆ COLOR:NATURAL
- ┆ UNIT:mm

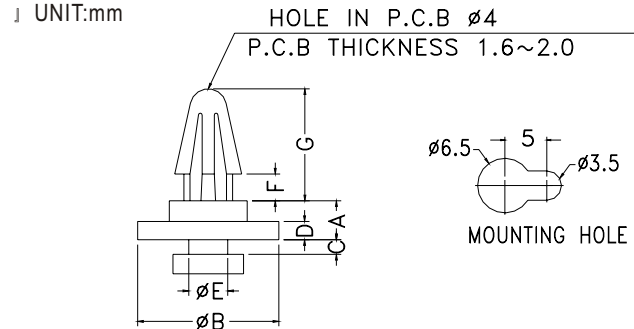
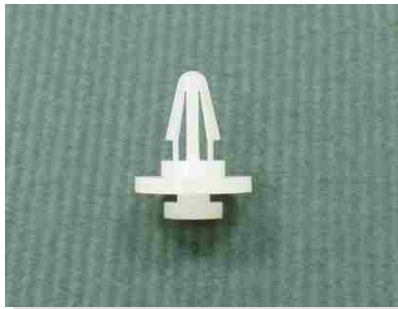


PART NO.	A	PACKAGE
YPLACS-25	25.4	1000
YPLACS-28	28.6	500
YPLACS-31	31.7	
YPLACS-35	34.9	

PART NO.	A	PACKAGE
YPLACS-3	3.5	1000
YPLACS-5	4.8	
YPLACS-6	6.0	
YPLACS-6A	6.4	
YPLACS-8	7.9	
YPLACS-9	9.5	
YPLACS-11	11.1	
YPLACS-12	12.7	
YPLACS-16	15.9	
YPLACS-19	19.1	
YPLACS-22	22.2	

PCB SPACER SUPPORT

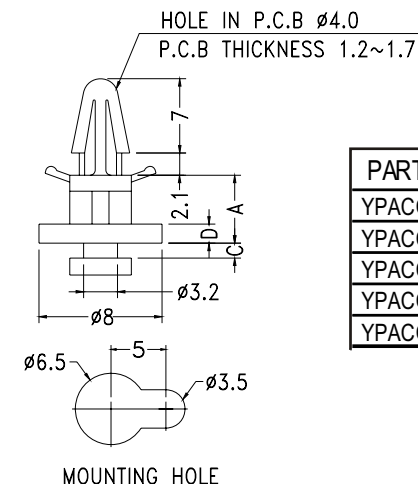
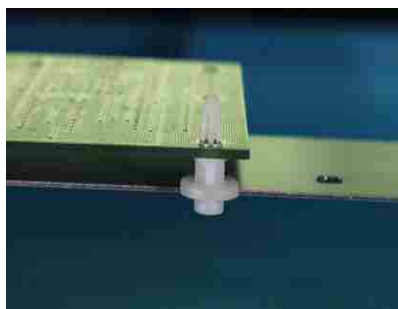
- ┆ MATERIAL:NYLON 66(UL)
- ┆ FLAME CYPLACSS :94V-2
- ┆ COLOR:NATURAL
- ┆ UNIT:mm



PART NO.	A	B	C	D	E	F	G	PACKAGE
YPACCB-2.5	2.5	11.5	1.4	1.5	2.8	2.0	9.0	1000
YPACCB-3	3.2	11.6	1.2		3.2	2.2	9.2	

PCB SPACER SUPPORT

- ┆ MATERIAL:NYLON 66(UL)
- ┆ FLAME CYPLACSS :94V-2
- ┆ COLOR:NATURAL
- ┆ UNIT:mm



PART NO	A	B	C	D	PACKAGE
YPACCB-5	5.0	11.7	1.3	1.8	1000
YPACCB-6	6.3	11.6	1.3	1.8	
YPACCB-8	8.0	11.6	1.4	1.8	
YPACCB-68	68.0	11.3	1.3	1.4	250
YPACCB-74	74.0	11.3	1.3	1.4	