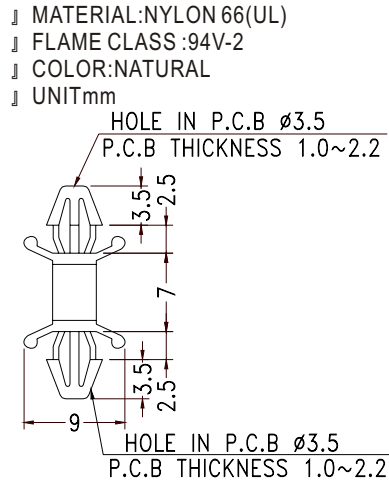
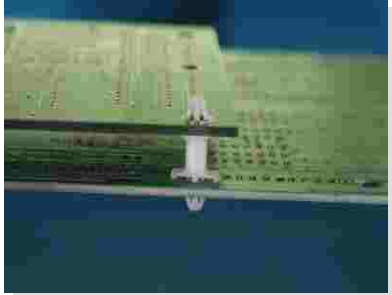
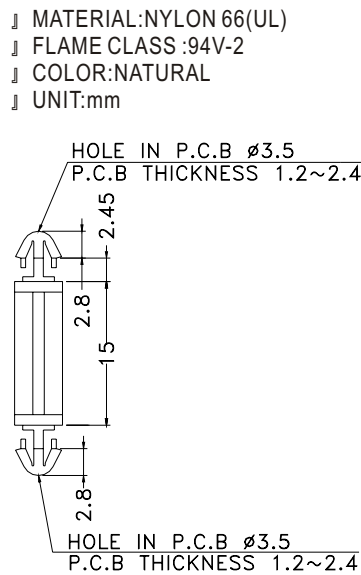
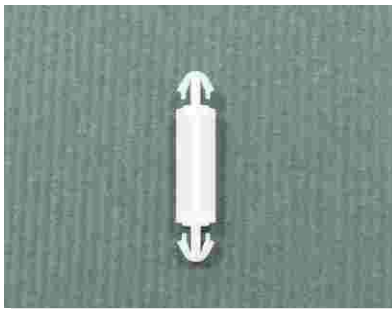


PCB SPACER SUPPORT



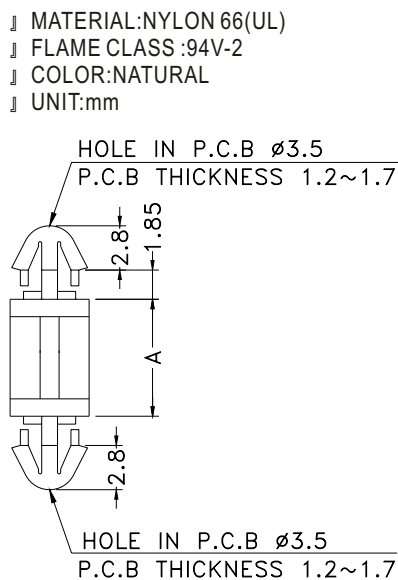
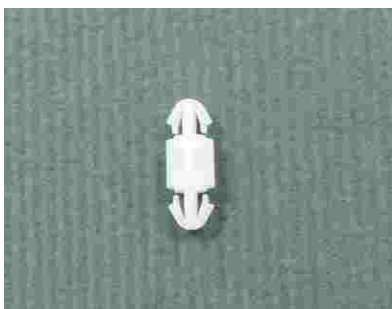
PART NO	PACKAGE
YPCBCSS-7	2000

PCB SPACER SUPPORT



PART NO	PACKAGE
YPLCCI-15(2)	1000

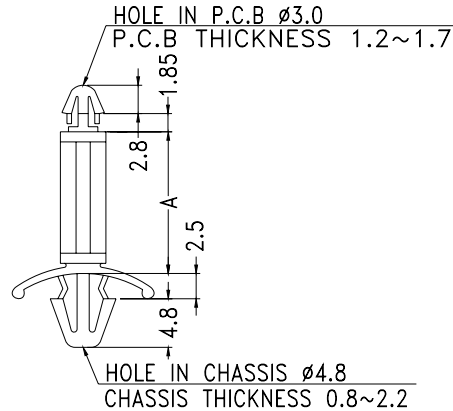
PCB SPACER SUPPORT



PART NO.	A	PACKAGE
YPLCCI-2.5	2.5	2000
YPLCCI-3	3.0	
YPLCCI-3.5	3.5	
YPLCCI-4	4.0	
YPLCCI-4.5	4.5	
YPLCCI-5	5.0	1000
YPLCCI-5.5	5.5	
YPLCCI-6	6.0	
YPLCCI-6.5	6.35	
YPLCCI-7	7.0	
YPLCCI-8	8.0	
YPLCCI-9	9.0	
YPLCCI-10	10.0	
YPLCCI-11	11.0	
YPLCCI-12	12.0	
YPLCCI-15	15.0	

PCB SPACER SUPPORT

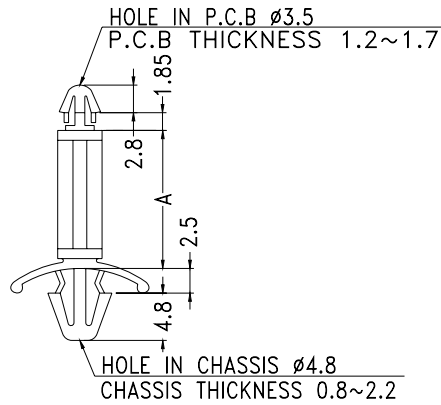
- ┆ MATERIAL: NYLON 66(UL)
- ┆ FLAME CLASS :94V-2
- ┆ COLOR:NATURAL
- ┆ UNIT:mm



PART NO.	A	PACKAGE
YPLCCBT-3	3.2	1000
YPLCCBT-5	4.8	
YPLCCBT-6	6.3	
YPLCCBT-8	8.0	
YPLCCBT-10	10.0	
YPLCCBT-12	12.0	
YPLCCBT-14	14.0	
YPLCCBT-16	16.0	
YPLCCBT-18	18.0	

PCB SPACER SUPPORT

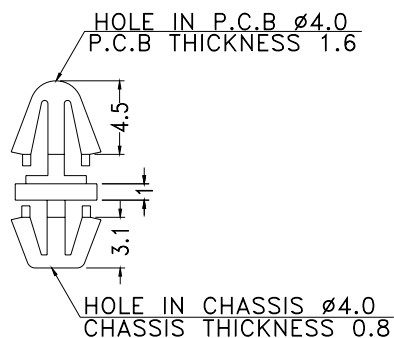
- ┆ MATERIAL: NYLON 66(UL)
- ┆ FLAME CLASS :94V-2
- ┆ COLOR:NATURAL
- ┆ UNIT:mm



PART NO.	A	PACKAGE
YPLCCBU-3	3.2	1000
YPLCCBU-5	4.8	
YPLCCBU-6	6.3	
YPLCCBU-8	8.0	
YPLCCBU-10	10.0	
YPLCCBU-12	12.0	
YPLCCBU-14	14.0	
YPLCCBU-16	16.0	
YPLCCBU-18	18.0	

PCB SPACER SUPPORT

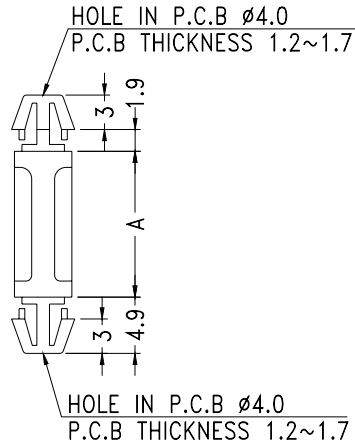
- ┆ MATERIAL: NYLON 66(UL)
- ┆ FLAME CLASS :94V-2
- ┆ COLOR:NATURAL
- ┆ UNIT:mm



PART NO	PACKAGE
YPLCCK-1	2000

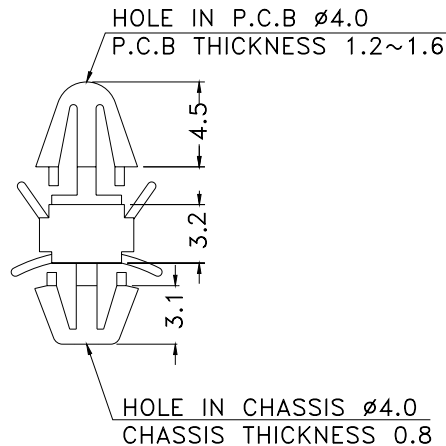
PCB SPACER SUPPORT

- ┆ MATERIAL: NYLON 66(UL)
- ┆ FLAME CLASS :94V-2
- ┆ COLOR:NATURAL
- ┆ UNIT:mm



PART NO.	A	PACKAGE
YPLCCC-3	3.5	2000
YPLCCC-5	5.0	
YPLCCC-6	6.4	
YPLCCC-8	8.0	
YPLCCC-10	10.5	1000
YPLCCC-11.5	11.5	
YPLCCC-12	12.7	
YPLCCC-15	15.9	
YPLCCC-19	19.0	
YPLCCC-20	20.0	
YPLCCC-25	25.0	
YPLCCC-27	27.0	
YPLCCC-30	30.0	
YPLCCC-34	34.0	
YPLCCC-71	71.2	500
YPLCCC-72	72.0	
YPLCCC-74	74.2	
YPLCCC-80	80.0	

PCB SPACER SUPPORT

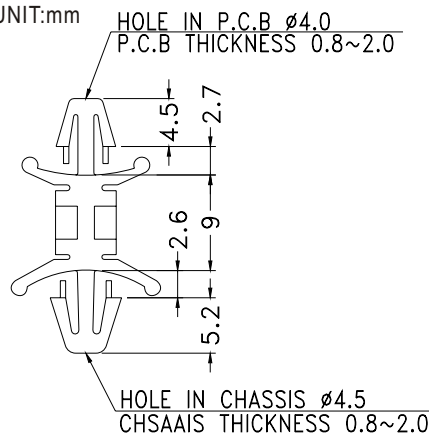
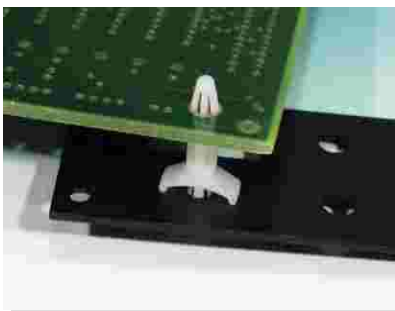


- ┆ MATERIAL: NYLON 66(UL)
- ┆ FLAME CLASS :94V-2
- ┆ COLOR:NATURAL
- ┆ UNIT:mm

PART NO	PACKAGE
YPLCCL-3.2	2000

PCB SPACER SUPPORT

- ┆ MATERIAL: NYLON 66(UL)
- ┆ FLAME CLASS :94V-2
- ┆ COLOR:NATURAL
- ┆ UNIT:mm



PART NO	PACKAGE
YPLCCT-9	1000