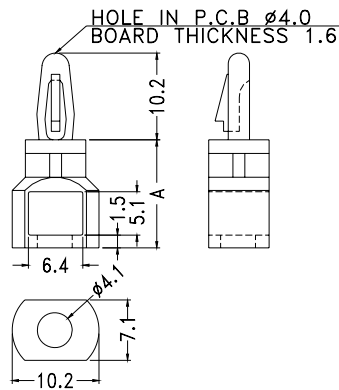


PCB SPACER SUPPORT

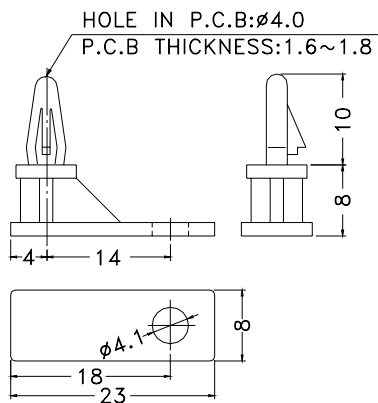
- ┆ MATERIAL: NYLON 66(UL)
- ┆ FLAME CLASS :94V-2
- ┆ COLOR:NATURAL
- ┆ UNIT:mm



PART NO.	A	PACKAGE
YPSRCLCB-9	9.5	1000
YPSRCLCB-11	11.1	
YPSRCLCB-12	12.7	
YPSRCLCB-15	15.9	

PCB SPACER SUPPORT

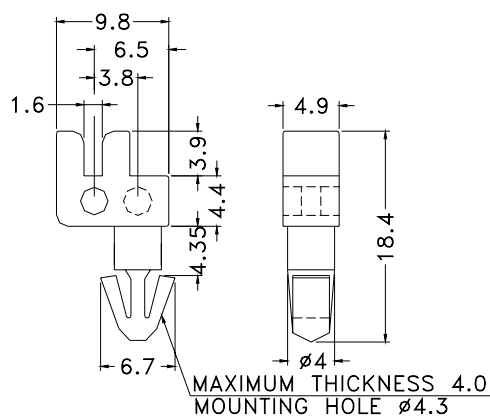
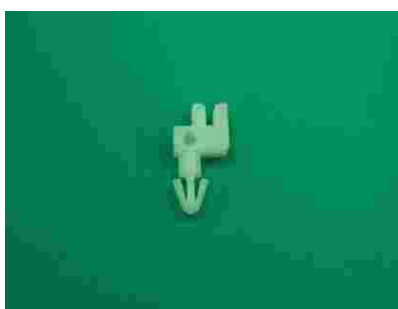
- ┆ MATERIAL: NYLON 66(UL)
- ┆ FLAME CLASS :94V-2
- ┆ COLOR:NATURAL
- ┆ UNIT:mm



PART NO	PACKAGE
YPLCCBL-8	1000

PCB SPACER SUPPORT

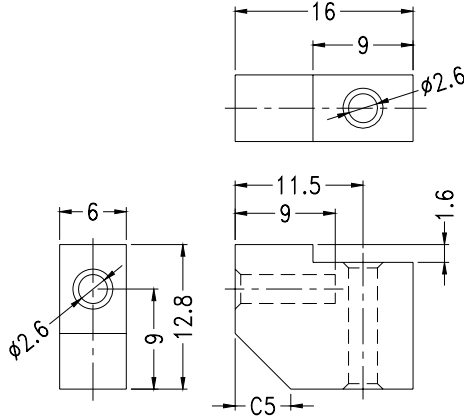
- ┆ MATERIAL: NYLON 66(UL)
- ┆ FLAME CLASS :94V-2
- ┆ COLOR:NATURAL
- ┆ UNIT:mm



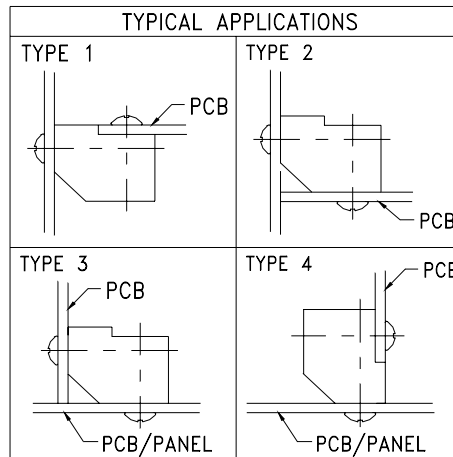
PART NO	PACKAGE
YPLCCU-18	2000

PCB SPACER SUPPORT

- ┆ MATERIAL: NYLON 66(UL)
- ┆ FLAME CLASS :94V-2
- ┆ COLOR:NATURAL
- ┆ UNIT:mm

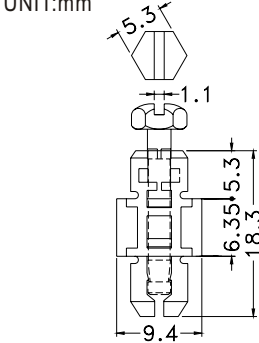


PART NO	PACKAGE
YPPMCB-1	500



PCB SPACER SUPPORT

- ┆ MATERIAL: NYLON 66(UL)
- ┆ FLAME CLASS :94V-2
- ┆ COLOR:NATURAL
- ┆ UNIT:mm

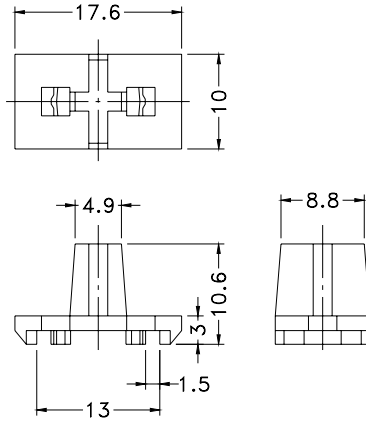
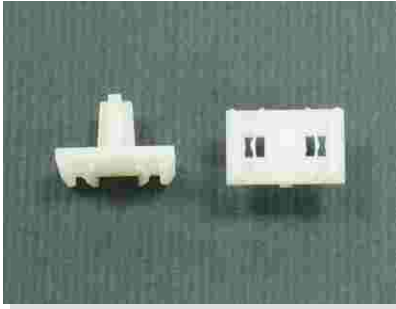


MOUNTING HOLE: $\phi 6.4 \sim 6.5$
 THICKNESS: $0.8 \sim 1.6$

PART NO	PACKAGE
YPSCCMB-6.3	1000

PCB SPACER SUPPORT

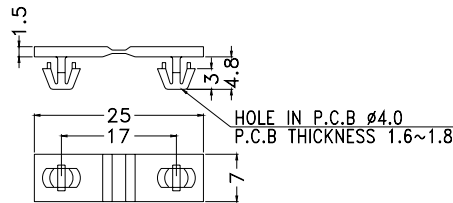
- ┆ MATERIAL: NYLON 66(UL)
- ┆ FLAME CLASS :94V-2
- ┆ COLOR:NATURAL
- ┆ UNIT:mm



PART NO	PACKAGE
YPLICH-8	2000

P.C.B. HINGE

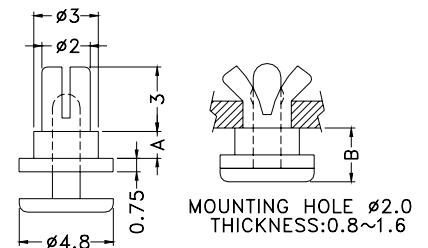
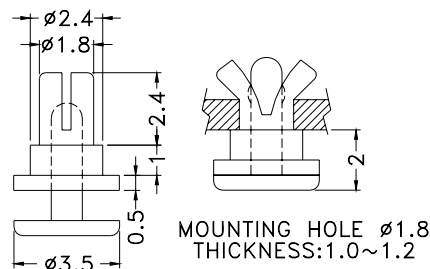
- ┆ MATERIAL: NYLON 66(UL)
- ┆ FLAME CLASS :94V-2
- ┆ COLOR:NATURAL
- ┆ UNIT:mm



PART NO	PACKAGE
YPLPCZ-1	1000

PCB SPACER SUPPORT

- ┆ MATERIAL: NYLON 66(UL)
- ┆ FLAME CLASS:94V-2
- ┆ COLOR:NATURAL/BLACK
- ┆ UNIT:mm



PART NO	PACKAGE
YPSRCMA-2	2000

PART NO.	A	B	PACKAGE
YPSRCMA-4	2.5	4.0	2000
YPSRCMA-5	3.5	5.0	