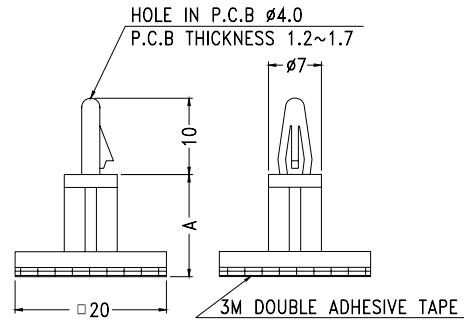


PCB SPACER SUPPORT

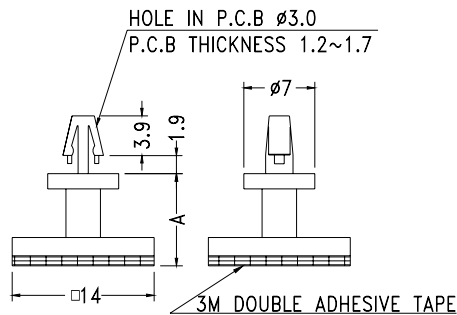
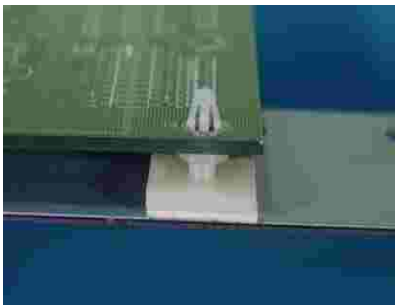
MATERIAL: NYLON 66(UL)
FLAME CLYPASCS :94V-2
COLOR:NATURAL
UNIT:MM



PART NO	A	PACKAGE
YPASCS-5	5.4	500
YPASCS-6	6.3	
YPASCS-8	8.0	
YPASCS-10	9.8	
YPASCS-12	12.8	
YPASCS-15	16.2	

PCB SPACER SUPPORT

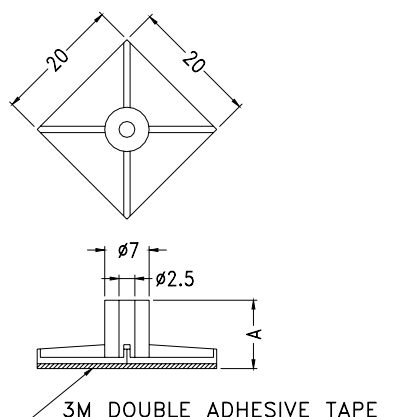
】 MATERIAL: NYLON 66(UL)
】 FLAME CLYPASCS :94V-2
】 COLOR:NATURAL
】 UNIT:MM



PART NO	A	PACKAGE
YPBSCS-6	6.4	1000
YPBSCS-9	8.8	
YPBSCS-12	12.7	

PCB SPACER SUPPORT

】 MATERIAL: NYLON 66(UL)
】 FLAME CLYPASCS :94V-2
】 COLOR:NATURAL
】 UNIT:□

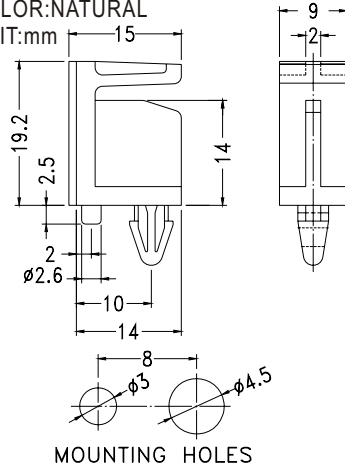


PART NO.	A	PACKAGE
YPASCR-6	6.4	500
YPASCR-11	10.8	

PCB SPACER SUPPORT



- 】 MATERIAL: NYLON 66(UL)
- 】 FLAME CLASS :94V-2
- 】 COLOR:NATURAL
- 】 UNIT:mm

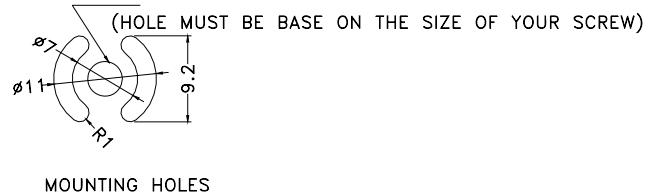
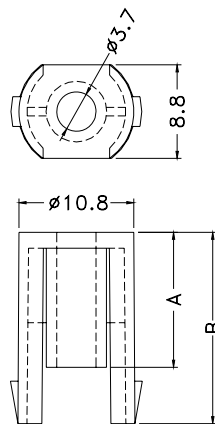


PART NO	PACKAGE
YPUBC-14D	1000

PCB SPACER SUPPORT



- 】 MATERIAL: NYLON 66(UL)
- 】 FLAME CLASS :94V-2
- 】 COLOR:NATURAL/BLACK
- 】 UNIT:mm

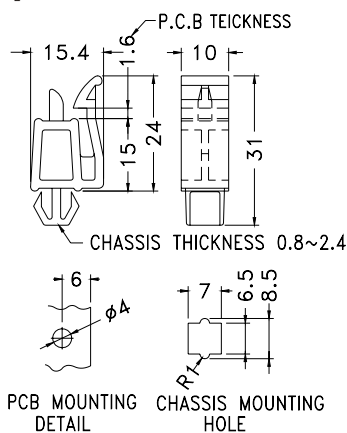


PART NO	A	B	PACKAGE
YPDVCDS-9	9.4	14.7	500
YPDVCDS-12	12.7	18.1	

PCB SPACER SUPPORT



- 】 MATERIAL: NYLON 66(UL)
- 】 FLAME CLASS :94V-2
- 】 COLOR:NATURAL
- 】 UNIT:mm

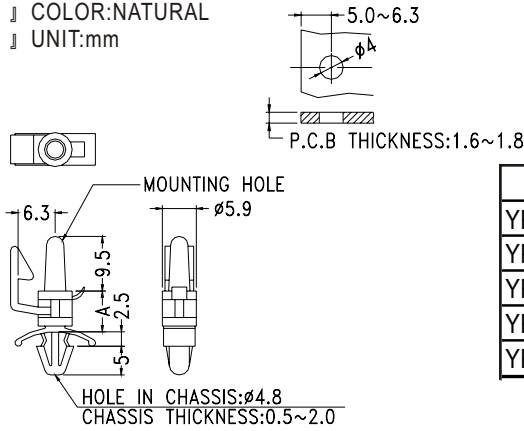


PART NO	PACKAGE
YPKECS-15	500

PCB SPACER SUPPORT

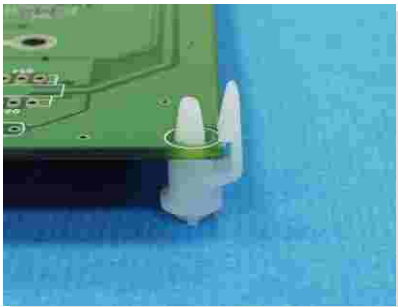


- ┆ MATERIAL: NYLON 66(UL)
- ┆ FLAME CLASS :94V-2
- ┆ COLOR:NATURAL
- ┆ UNIT:mm

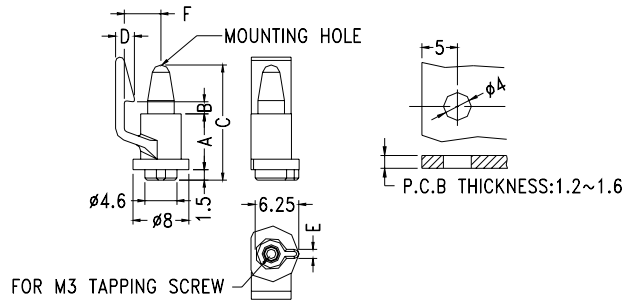


PART NO.	A	PACKAGE
YPULCCB-6	6.3	1000
YPULCCB-8	8.0	
YPULCCB-9	9.5	
YPULCCB-12	12.7	
YPULCCB-16	15.9	

PCB SPACER SUPPORT

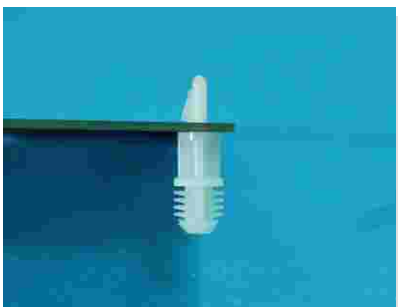


- ┆ MATERIAL: NYLON 66(UL)
- ┆ FLAME CLASS :94V-2
- ┆ COLOR:NATURAL
- ┆ UNIT:mm

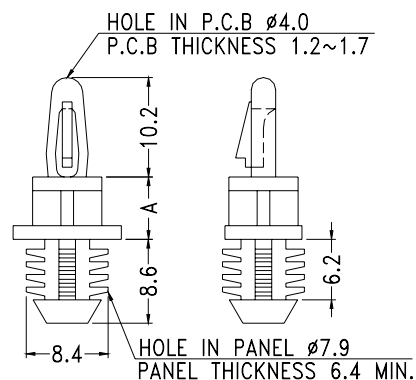


PART NO.	A	B	C	D	E	F	PACKAGE
YPULCCC-8	8.0	1.7	16.5	2.7	1.3	500	
YPULCCC-10	10.0	2.24	19.0	2.85	1.4		
YPULCCC-12	12.0	1.75	19.8		5.25		
YPULCCC-19	18.55	1.9	27.05	3.8	1.3		5.5

PCB SPACER SUPPORT



- ┆ MATERIAL: NYLON 66(UL)
- ┆ FLAME CLASS :94V-2
- ┆ COLOR:NATURAL
- ┆ UNIT:mm



PART NO.	A	PACKAGE
YPWBCH-5	4.8	1000
YPWBCH-6	6.4	
YPWBCH-9	9.5	
YPWBCH-12	12.7	
YPWBCH-25	25.4	