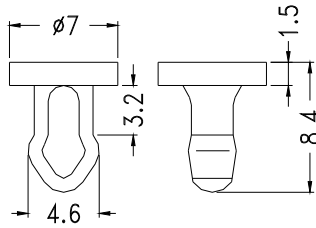


MOUNTING BUTTON

- ┆ MATERIAL: NYLON 66(UL)
- ┆ FLAME CLASS: 94V-2
- ┆ COLOR: BLACK
- ┆ UNIT: mm

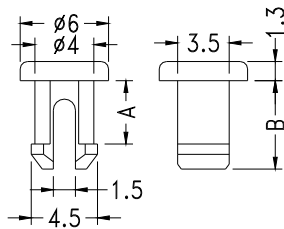


MOUNTING HOLE $\phi 4.0$

PART NO	PACKAGE
YPMBCT-2	2000

MOUNTING BUTTON

- ┆ MATERIAL: NYOLN 66(UL)
- ┆ FLAME CLASS: 94V-2
- ┆ COLOR: NATURAL
- ┆ UNIT: mm

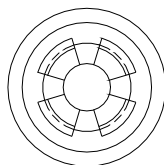
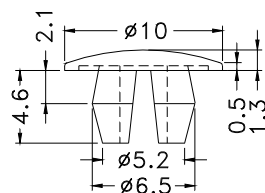


MOUNTING HOLE $\phi 4$

PART NO.	A	B	PACKAGE
YPMBCT-7	4.3	6.0	2000
YPMBCT4-2	2.0	3.7	

MOUNTING BUTTON

- ┆ MATERIAL: NYOLN 66(UL)
- ┆ FLAME CLASS: 94V-2
- ┆ COLOR: NATURAL
- ┆ UNIT: mm



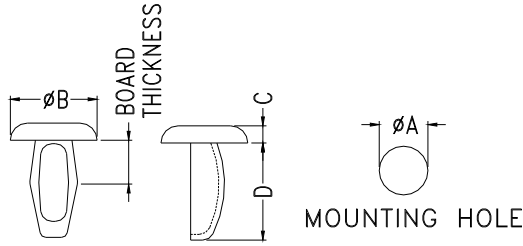
MOUNTING HOLE $\phi 6$

PART NO	PACKAGE
YPMBCT6-2	2000

MOUNTING BUTTON



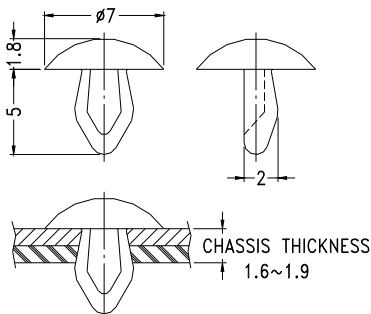
UNIT:mm



PART NO	BOARD THICKNESS	A	B	C	D	MATERIAL	COLOR	PACKAGE
YPMBC-1	2.0~3.1	3.3~3.5	7.6	1.6	8.6	P.O.M UL94HB	WHITE	2000
YPMBC-1N	2.0~3.1	3.3~3.5	7.6	1.6	8.6	NYLON 66 UL94V-2	NATURAL	
YPMBC-1(B)	2.0~3.1	3.3~3.5	7.6	1.6	8.6	P.O.M UL94HB	BLACK	
YPMBC-2	3.4~4.0	3.3~3.6	7.6	1.3	10.8	NYLON 66 UL94V-2	NATURAL	1000
YPMBC-2(W)						P.O.M UL94HB	WHITE	
YPMBC-2(B)	3.0~4.0	3.3~3.6	7.6	1.3	10.8	P.O.M UL94HB	BLACK	
YPMBC-3	3.4~4.0	3.0~3.2	7.3	1.4	8.4	NYLON 66 UL94V-2	NATURAL	2000
YPMBC-3(B)							BLACK	

MOUNTING BUTTON

- ┆ MATERIAL:NYOLN 66(UL)
- ┆ FLAME CLASS:94V-2
- ┆ COLOR:NATURAL
- ┆ UNIT:mm

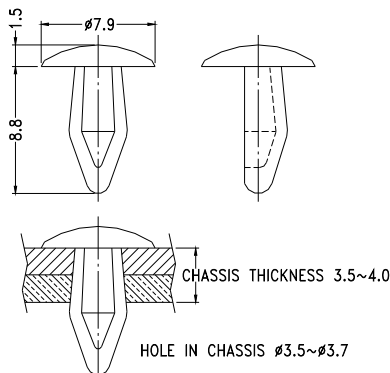


HOLE IN CHASSIS $\phi 3.15 \sim \phi 3.2$

PART NO	PACKAGE
YPMBC-4	2000

MOUNTING BUTTON

- ┆ MATERIAL:NYOLN 66(UL)
- ┆ FLAME CLASS:94V-2
- ┆ COLOR:NATURAL
- ┆ UNIT:mm

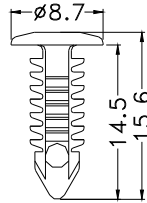


HOLE IN CHASSIS $\phi 3.5 \sim \phi 3.7$

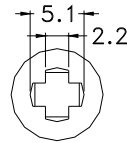
PART NO	PACKAGE
YPMBC-5	2000

SNAP RIVET

- ┆ MATERIAL: NYLON 66(UL)
- ┆ FLAME CLASS: 94V-2
- ┆ COLOR: NATURAL
- ┆ UNIT: mm



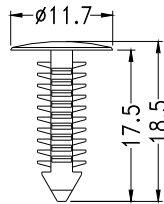
MOUNTING HOLE: $\phi 4.5 \sim \phi 4.8$



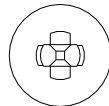
PART NO	PACKAGE
YPMBCW-14	1000

MOUNTING BUTTON

- ┆ MATERIAL: NYLON 66(UL)
- ┆ FLAME CLASS: 94V-2
- ┆ COLOR: BLACK
- ┆ UNIT: mm



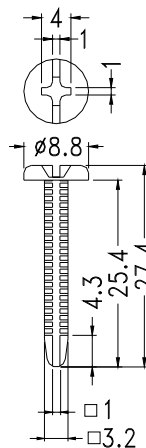
MOUNTING HOLE: $\phi 4.8$
PANEL THICKNESS: 2.54~15.2



PART NO	PACKAGE
YPMBCW-17	1000

MOUNTING BUTTON

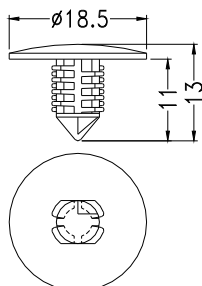
- ┆ MATERIAL: NYLON 66 (UL)
- ┆ FLAME CLASS: 94V-2
- ┆ COLOR: NATURAL
- ┆ UNIT: mm



PART NO	PACKAGE
YPMBCW-18	1000

MOUNTING BUTTON

- ┆ MATERIAL: NYLON 66 (UL)
- ┆ FLAME CLASS: 94V-2
- ┆ COLOR: BLACK
- ┆ UNIT: mm

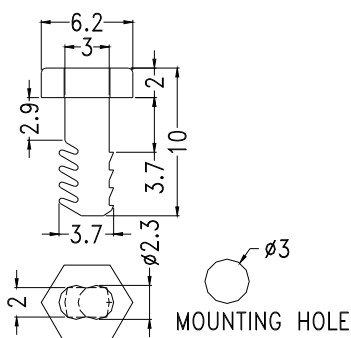


MOUNTING HOLE: $\phi 6.35$
PANEL THICKNESS: 0.8~7.4

PART NO	PACKAGE
YPMBCW6-11	1000

SNAP RIVET

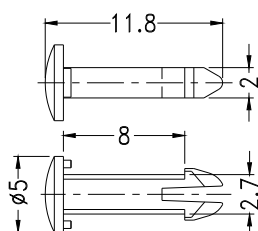
- ┆ MATERIAL: NYLON 66 (UL)
- ┆ FLAME CLASS: 94V-2
- ┆ COLOR: NATURAL
- ┆ UNIT: mm



PART NO	PACKAGE
YPMBCW3-8	1000

MOUNTING BUTTON

- ┆ MATERIAL: NYLON 66 (UL)
- ┆ FLAME CLASS: 94V-2
- ┆ COLOR: NATURAL/BLACK
- ┆ UNIT: mm

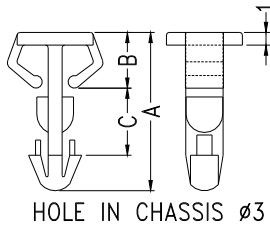
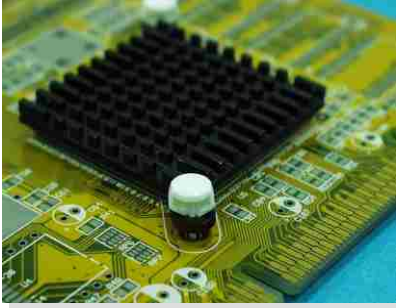


MOUNTING HOLE: $\phi 3$

PART NO	PACKAGE
YPPNCL-8	1000

FAN SNAP RIVET

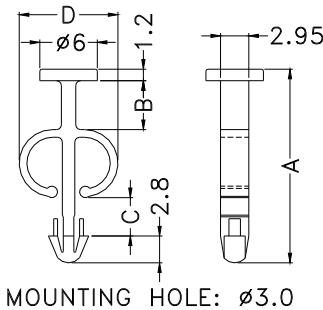
- ┆ MATERIAL: NYLON 66(UL)
- ┆ FLAME CLASS: 94V-2
- ┆ COLOR: NATURAL/BLACK
- ┆ UNIT: mm



PART NO	A	B	C	PACKAGE
YPMCCC-1	12.5	4.4	5.3	2000
YPMCCC-2	12.7	5.3	4.7	
YPMCCC-3	10.3	5.0	2.5	

FAN SNAP RIVET

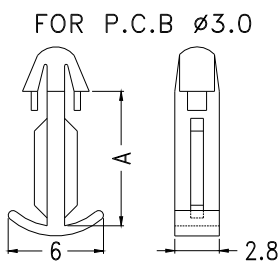
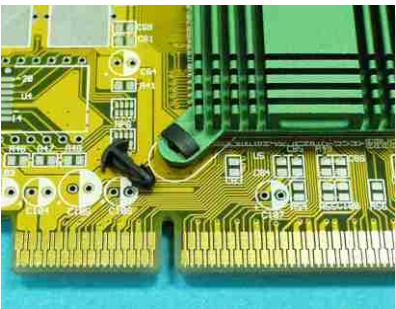
- ┆ MATERIAL: NYLON 66(UL)
- ┆ FLAME CLASS: 94V-2
- ┆ COLOR: NATURAL
- ┆ UNIT: mm



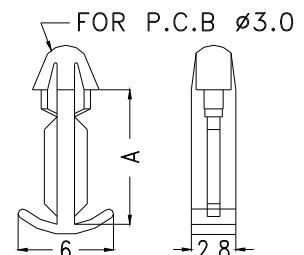
PART NO.	A	B	C	D	PACKAGE
YPMECE-1	20.3	5.1	4.0	10.1	1000
YPMECE-2	17.0	2.5	3.4	10.3	

FAN SNAP RIVET

- ┆ MATERIAL: NYLON 66(UL)
- ┆ FLAME CLASS: 94V-2
- ┆ COLOR: BLACK
- ┆ UNIT: mm



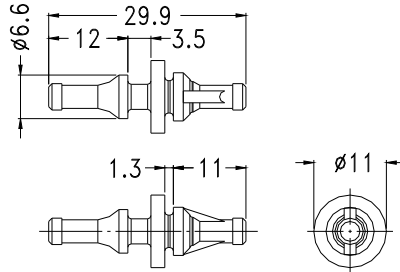
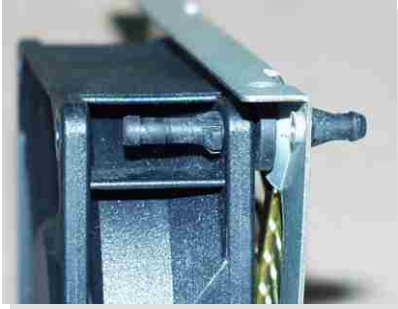
PART NO	A	PACKAGE
YPMBCB-6	6.0	2000
YPMBCB-7	7.0	
YPMBCB-8	8.0	



PART NO	A	PACKAGE
YPMBCB-6A	6.0	2000

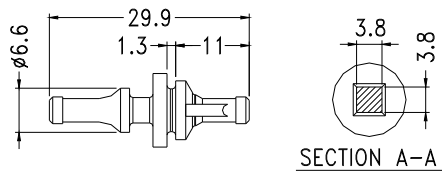
FAN SNAP RIVET

- ┆ MATERIAL:T.P.E
- ┆ COLOR:BLACK
- ┆ UNIT:mm

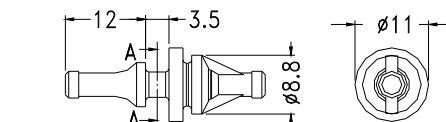


PART NO	PACKAGE
YPBUCB-30	1000

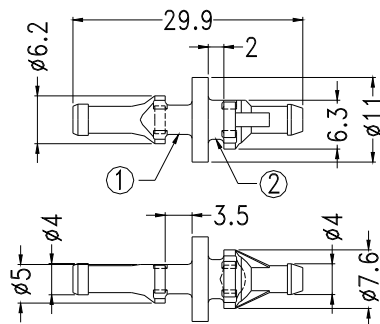
- ① FANS MOUNTING HOLE $\phi 4.3^{+0.2}_{-0.0}$ mm AND 3 TO 5.5mm THICKNESS.
- ② SUPPORT MOUNTING HOLE $\phi 5.0 \pm 0.1$ mm AND 1 TO 2mm THICKNESS.



PART NO	PACKAGE
YPBUCB-30L	1000



- ① FANS MOUNTING HOLE $\phi 4.6^{+0.2}$ mm AND 3 TO 5.5mm THICKNESS.
- ② SUPPORT MOUNTING HOLE $\phi 6.5 \pm 0.1$ mm AND 1 TO 2mm THICKNESS.

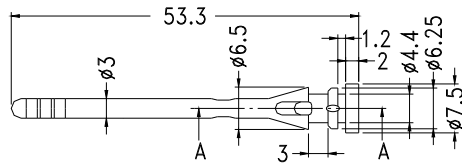
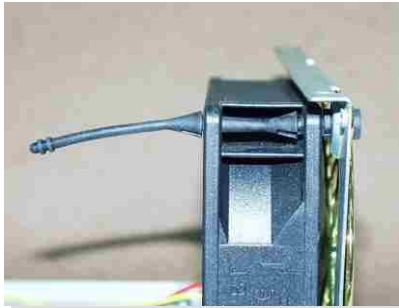


PART NO	PACKAGE
YPBUCB-29	1000

- ① FANS MOUNTING HOLE $\phi 4.3 \sim 4.5$ mm
CHASSIS THICKNESS 3.5~4.0mm
- ② SUPPORT MOUNTING HOLE $\phi 4.5 \sim 4.8$ mm
CHASSIS THICKNESS 0.8~2.0mm

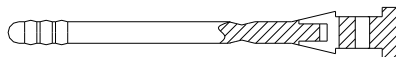
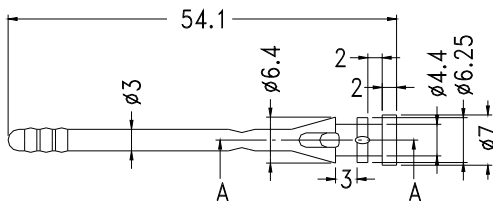
FAN SNAP RIVET

┆ MATERIAL:T.P.E
 ┆ COLOR:BLACK
 ┆ UNIT:MM



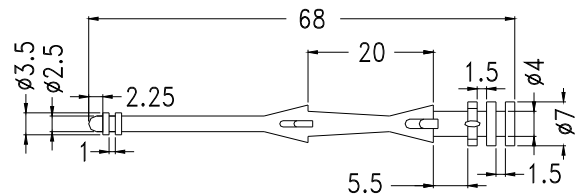
SECTION A-A
 MOUNTING HOLE $\phi 4.2$

PART NO	PACKAGE
YPBUCB-53	500

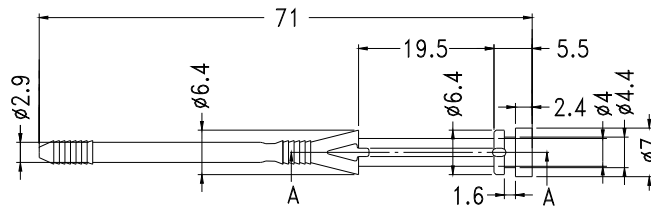


SECTION A-A
 MOUNTING HOLE $\phi 4.2$

PART NO	PACKAGE
YPBUCB-54	500

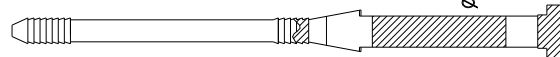
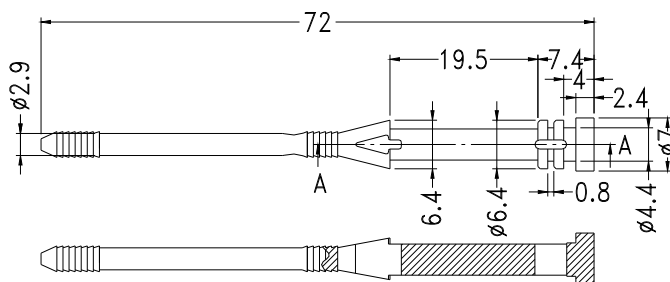


PART NO	PACKAGE
YPBUCB-68	500



SECTION A-A
 MOUNTING HOLE $\phi 4.2$

PART NO	PACKAGE
YPBUCB-71	500

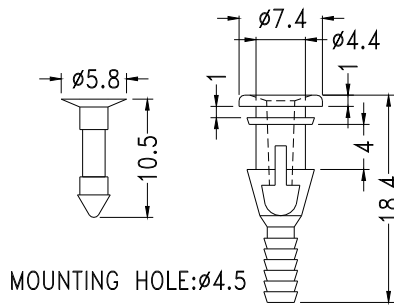


SECTION A-A
 MOUNTING HOLE $\phi 4.2$

PART NO	PACKAGE
YPBUCB-72	500

FAN SNAP RIVET

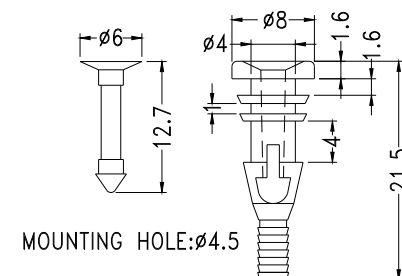
- 」 PIN MATERIAL: NYLON 66(UL)94V-2
- 」 BODY MATERIAL: T.P.E
- 」 COLOR: BLACK
- 」 UNIT: □
- 」 盡 □ 玆



PART NO	PACKAGE
FSP-1	1000

FAN SNAP RIVET

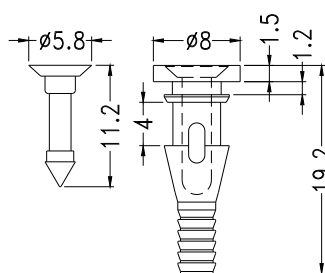
- 」 PIN MATERIAL: NYLON 66(UL)94V-2
- 」 BODY MATERIAL: T.P.E
- 」 COLOR: BLACK
- 」 UNIT: □
- 」 盡 □ 玆



PART NO	PACKAGE
FSP-2	1000

FAN SNAP RIVET

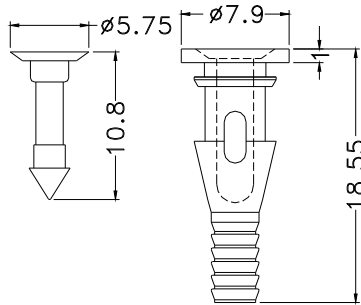
- 」 PIN MATERIAL: NYLON 66(UL)94V-2
- 」 BODY MATERIAL: T.P.E
- 」 COLOR: BLACK
- 」 UNIT: □
- 」 盡 □ 玆



PART NO	PACKAGE
FSP-3	1000

FAN SNAP RIVET

- ┆ PIN MATERIAL: NYLON 66(UL)94V-2
- ┆ BODY MATERIAL: T.P.E
- ┆ COLOR: BLACK
- ┆ UNIT: mm

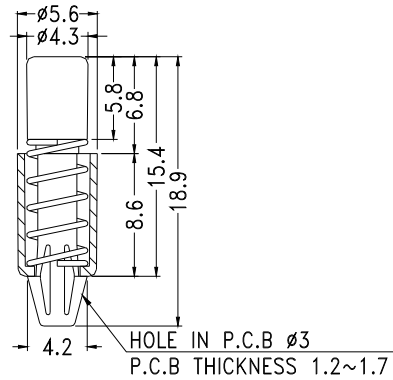
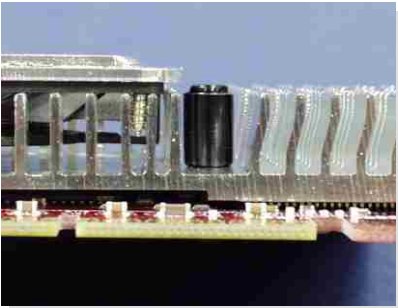


MOUNTING HOLE $\phi 4.5 \sim \phi 4.7$

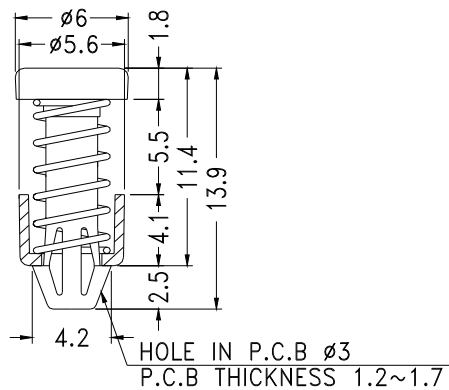
PART NO	PACKAGE
YPFSCP-4	1000

FAN SNAP RIVET

- ┆ MATERIAL: NYLON(UL)
- ┆ FLAME CLASS: 94V-2
- ┆ COLOR: BLACK
- ┆ UNIT: mm



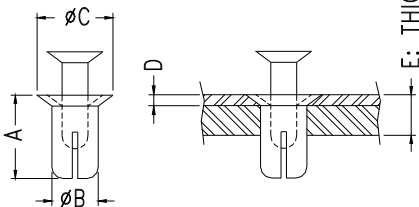
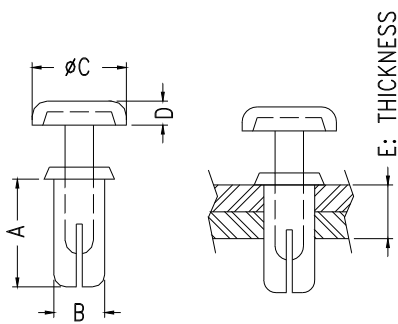
PART NO	PACKAGE
YPHSCR-1	1000



PART NO	PACKAGE
YPHSCR-2	1000

SNAP RIVET

- ┆ MATERIAL: NYLON66(UL)
- ┆ FLAME CLASS: 94V-2
- ┆ COLOR: BLACK/WHITE
- ┆ UNIT: mm

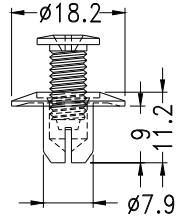


ONLY FOR YPYPsrcr4-6F, YPSRC4-7F,
YPSRC4-8F, YPSRC4-13F, YPSRC3-13F

PART NO	A	B	C	D	E	MOUNTING HOLES	PACKAGE		
YPSRC2-4	4.0	2.0	3.5	0.5	2.0~3.0	2.0	1000		
YPSRC2-5	5.0	2.0	4.8	0.75	2.5~3.5				
YPSRC2-6	6.0	2.0	4.8	0.75	3.5~4.5				
YPSRC2.6-3.2	3.2	2.6	5.0	1.6	1.0~2.0	2.6	1000		
YPSRC2.6-4.2	4.2	2.6	5.0	1.6	2.0~2.5				
YPSRC2.6-4.8	4.8	2.6	5.0	1.3	2.5~3.4				
YPSRC2.6-5.5	5.5	2.6	5.0	1.3	3.0~4.3				
YPSRC2.6-7.2	7.2	2.6	5.0	1.4	3.0~4.3				
YPSRC3-3.5	3.6	3.0	6.3	1.6	1.0~2.0			3.0	1000
YPSRC3-4.5	4.5	3.0	6.3	1.7	2.0~3.2				
YPSRC3-5.5	5.5	3.0	6.3	1.7	3.0~4.0				
YPSRC3-6	6.0	3.0	6.3	1.7	3.5~4.5				
YPSRC3-6.5	6.5	3.0	6.3	1.7	4.0~5.0				
YPSRC3-7.5	7.5	3.0	6.3	1.7	5.0~6.0				
YPSRC3-8	8.1	3.0	6.3	1.7	5.5~6.5				
YPSRC3-9	9.1	3.0	6.3	1.7	6.5~7.5				
YPSRC3-10	10.0	3.0	6.3	1.7	7.5~8.5				
YPSRC3-13F	13.0	3.2	5.3	1.3	10.0~11.0	3.2			
YPSRC3-15	15.5	3.0	6.2	1.7	11.5~13.0	3.0			
YPSRC3-18.5	18.5	3.0	6.3	1.7	15.0~16.5	3.0			
YPSRC3.5-4.5	4.5	3.5	6.3	1.7	2.0~3.0	3.5	1000		
YPSRC3.5-5	5.0	3.5	6.3	1.7	2.5~3.5				
YPSRC3.5-5.5	5.5	3.5	6.3	1.7	3.0~4.0				
YPSRC3.5-6	6.0	3.5	6.3	1.7	4.0~4.5	3.5	1000		
YPSRC3.5-7	7.0	3.5	6.3	1.7	4.5~5.5				
YPSRC4-5	5.0	4.0	7.8	1.8	2.5~3.5	4.0	1000		
YPSRC4-6	6.0	4.0	7.8	1.8	3.5~4.5				
YPSRC4-6F	6.1	4.0	7.5	1.1	3.0~4.0				
YPSRC4-7	7.0	4.0	8.0	2.0	4.5~5.5				
YPSRC4-7F	7.0	4.0	6.4	1.1	3.5~5.0				
YPSRC4-8	8.0	4.0	8.0	2.0	5.5~6.5				
YPSRC4-8F	8.2	4.0	7.5	1.1	5.5~6.5				
YPSRC4-9	9.0	4.0	8.0	2.0	6.5~7.5				
YPSRC4-10	10.0	4.0	8.0	2.0	7.5~8.5				
YPSRC4-10S	10.0	4.0	6.8	2.1	7.5~8.5				
YPSRC4-12	12.0	4.0	8.0	2.0	9.5~10.5				
YPSRC4-13F	14.5	4.0	6.4	1.0	10.0~11.0				
YPSRC4-20	20.0	4.0	8.0	2.0	15.0~17.0			4.0	500
YPSRC4-25	25.0	4.0	8.0	2.0	19.0~20.5				
YPSRC5-4.5	4.6	5.0	8.9	2.2	1.5~2.5			5.0	1000
YPSRC5-5.5	5.5	5.0	8.9	2.2	2.5~3.5				
YPSRC5-6.5	6.5	5.0	9.0	2.2	3.5~4.5				
YPSRC5-7.5	7.5	5.0	9.0	2.2	4.5~5.5				
YPSRC5-8.5	8.5	5.0	9.0	2.2	5.5~6.5				
YPSRC6-6	6.0	6.0	12.0	2.5	2.5~4.0	6.0			

SNAP RIVET

- ┆ MATERIAL: NYLON 66(UL)
- ┆ FLAME CLASS: 94V-2
- ┆ COLOR: BLACK
- ┆ UNIT: mm

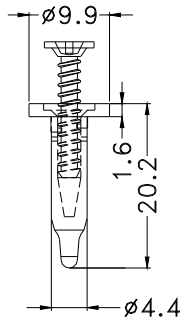


MOUNTING HOLE: $\varnothing 8$

PART NO	PACKAGE
YPPRC-1	500

SNAP RIVET

- ┆ MATERIAL: NYLON 66(UL)
- ┆ FLAME CLASS: 94V-2
- ┆ COLOR: BLACK
- ┆ UNIT: mm

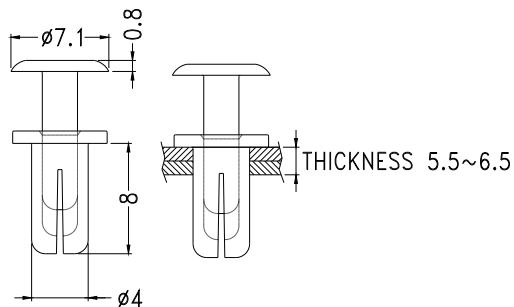


HOLE IN THICKNESS: 8.3~10.0
 MOUNTING HOLE: $\varnothing 4.5 \sim 4.7$

PART NO	PACKAGE
YPPRC-2	1000

SNAP RIVET

- ┆ MATERIAL: NYLON 66(UL)
- ┆ FLAME CLASS: 94V-2
- ┆ COLOR: BLACK
- ┆ UNIT: mm

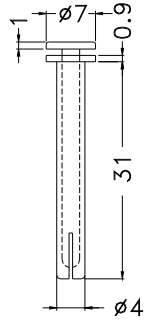


MOUNTING HOLE: $\varnothing 4$

PART NO	PACKAGE
YPSRCF4-8	1000

SNAP RIVET

- ┆ MATERIAL: NYLON 66(UL)
- ┆ FLAME CLASS: 94V-2
- ┆ COLOR: BLACK
- ┆ UNIT: mm

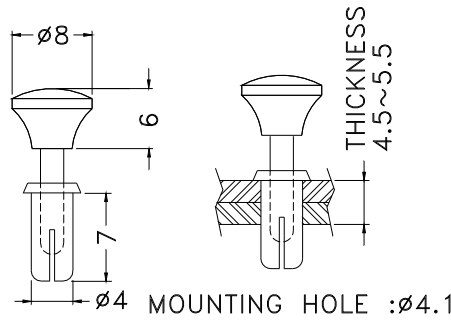


MOUNTING HOLE $\phi 4$

PART NO	PACKAGE
YPSRCF4-31	500

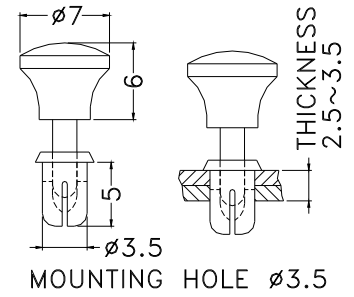
SNAP RIVET

- ┆ MATERIAL: NYLON 66(UL)
- ┆ FLAME CLASS: 94V-2
- ┆ COLOR: BLACK
- ┆ UNIT: mm



MOUNTING HOLE : $\phi 4.1$

PART NO	PACKAGE
YPSRCS4-7P	1000

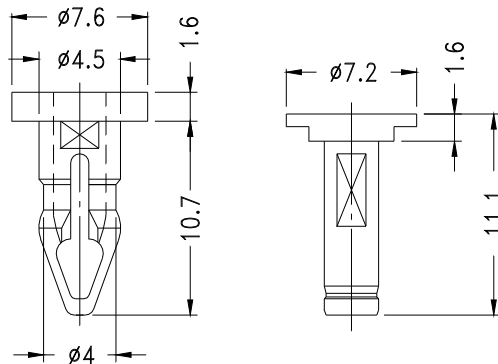


MOUNTING HOLE $\phi 3.5$

PART NO	PACKAGE
YPSRCS3.5-5P	1000

SNAP RIVET

- ┆ MATERIAL: NYLON 66(UL)
- ┆ FLAME CLASS: 94V-2
- ┆ CLIP COLOR: BLACK
- ┆ PIN COLOR: NATURAL
- ┆ UNIT: mm

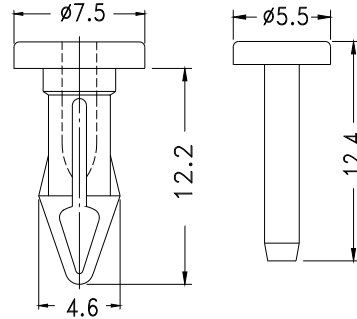


MOUNTING HOLE : $\phi 4.6$

PART NO	PACKAGE
YPSRCCC-4	1000

SNAP RIVET

- ┆ MATERIAL: NYLON 66(UL)
- ┆ FLAME CLASS: 94V-2
- ┆ COLOR: BLACK
- ┆ UNIT: mm

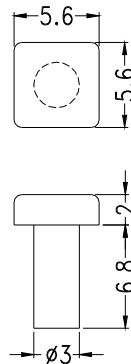


MOUNTING HOLE \varnothing 4.6

PART NO	PACKAGE
YPSRCCC-5	1000

PIN

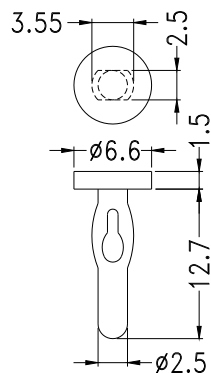
- ┆ MATERIAL: ABS
- ┆ COLOR: BLACK/NATURAL
- ┆ UNIT: mm



PART NO	PACKAGE
YPACCSR-7	2000

SNAP RIVET

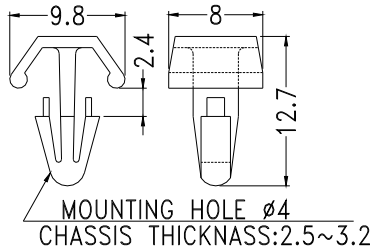
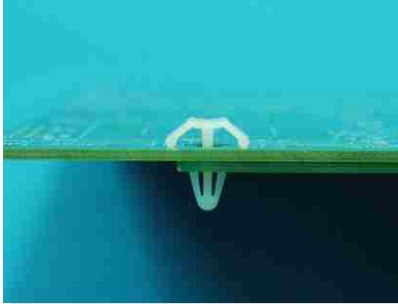
- ┆ MATERIAL: ABS/NYLON 66(UL)
- ┆ FLAME CLASS: 94V-2
- ┆ COLOR: NATURAL
- ┆ UNIT: mm



PART NO	PACKAGE
YPPICC-14	1000

SNAP RIVET

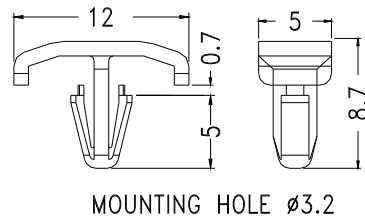
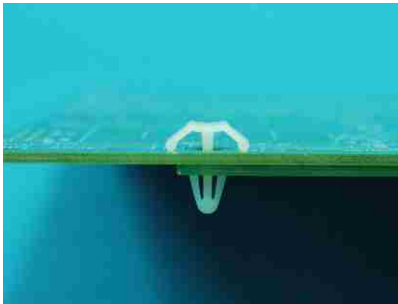
- ┆ MATERIAL: NYLON 66(UL)
- ┆ FLAME CLASS: 94V-2
- ┆ COLOR: NATURAL
- ┆ UNIT: mm



PART NO	PACKAGE
YPMBC-10	1000

SNAP RIVET

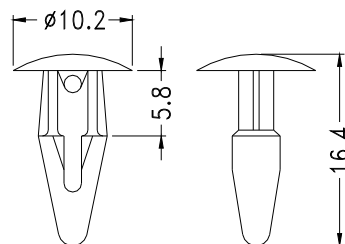
- ┆ MATERIAL: NYLON 66(UL)
- ┆ FLAME CLASS: 94V-2
- ┆ COLOR: NATURAL
- ┆ UNIT: mm



PART NO	PACKAGE
YPMBC-12	1000

MOUNTING BUTTON

- ┆ MATERIAL: P.O.M(UL)/NYLON 66(UL)
- ┆ FLAME CLASS: 94HB/94V-2
- ┆ COLOR: WHITE/BLACK/SILVER GRAY
- ┆ UNIT: mm



PART NO	PACKAGE
YPMBCT-1	1000