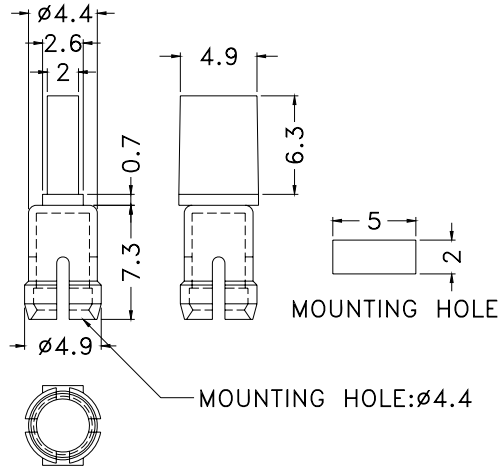
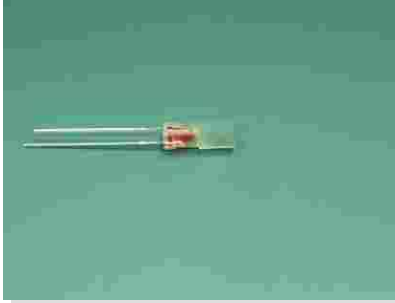


LENS CAP

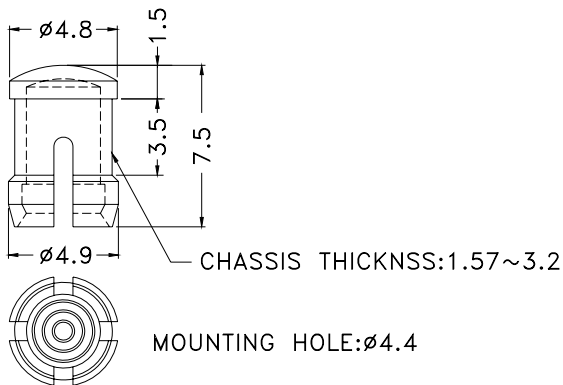
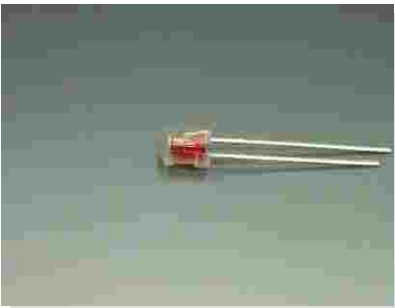
- ┆ MATERIAL:PC(UL)
- ┆ FLAME CLASS :94V-2
- ┆ COLOR:CLEAR
- ┆ UNIT:mm



PART NO	PACKAGE
YPLCC3-2	1000

LENS CAP

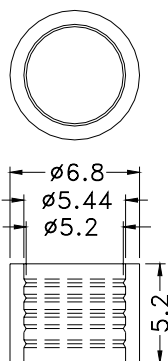
- ┆ MATERIAL:PC(UL)
- ┆ FLAME CLASS:94V-2
- ┆ COLOR:CLEAR
- ┆ UNIT:mm



PART NO	PACKAGE
YPLCC3-1	2000

LED HOLDER COVER

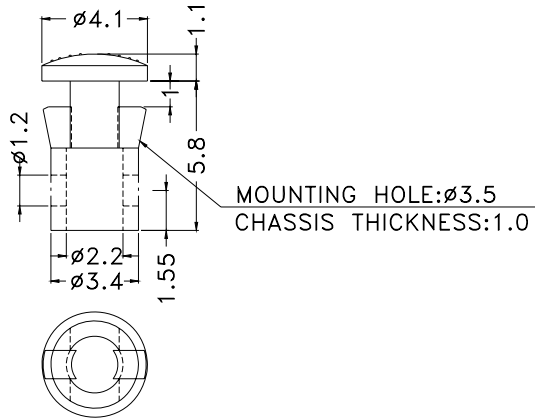
- ┆ MATERIAL:NYLON 66(UL)
- ┆ FLAME CLASS :94V-2
- ┆ COLOR:BLACK
- ┆ UNIT:mm



PART NO	PACKAGE
YPLCC3-1T	2000

LED LENS CAP - CLEAR

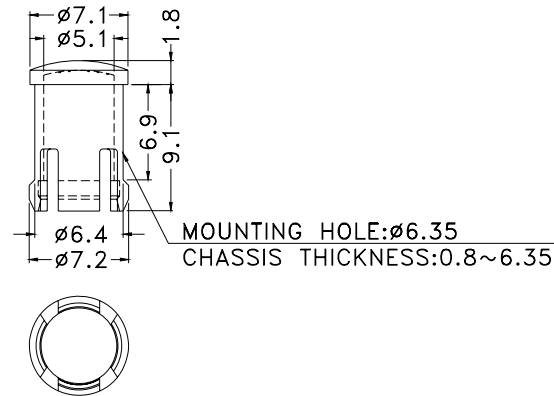
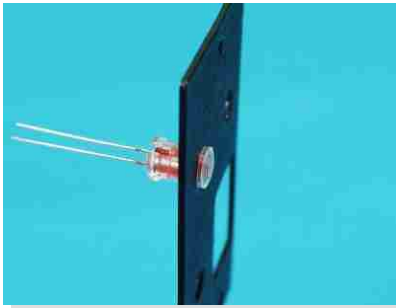
- ┆ MATERIAL:PC(UL)
- ┆ FLAME CLASS:94V-2
- ┆ COLOR:CLEAR
- ┆ UNIT:mm



PART NO	PACKAGE
YPLECU-1	2000

LED LENS CAP - CLEAR

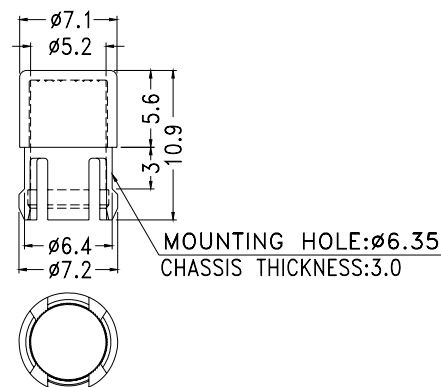
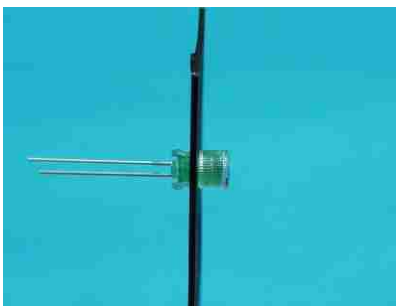
- ┆ MATERIAL:PC(UL)
- ┆ FLAME CLASS :94V-2
- ┆ COLOR:CLEAR
- ┆ UNIT:mm



PART NO	PACKAGE
YPLCC5-1	1000

LED LENS CAP - CLEAR

- ┆ MATERIAL:PC(UL)
- ┆ FLAME CLASS:94V-2
- ┆ COLOR:CLEAR
- ┆ UNIT:mm



PART NO	PACKAGE
YPLCC5-2	1000