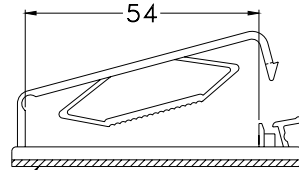
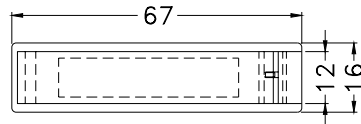


## FLAT CABLE CLAMP

- ┆ MATERIAL: NYLON 66(UL)
- ┆ FLAME CLASS :94V-2
- ┆ COLOR:NATURAL
- ┆ UNIT:mm

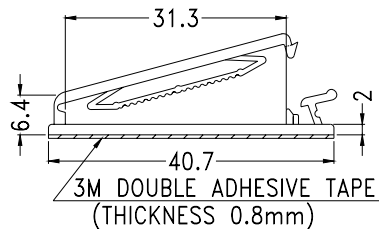
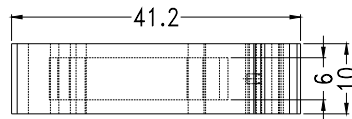


3M DOUBLE ADHESIVE TYPE  
(THICKNESS 0.8mm)  
SUITABLE CABLE: 40 PIN

PART NO	PACKAGE
YPFCCB-40MT	100

## FLAT CABLE CLAMP

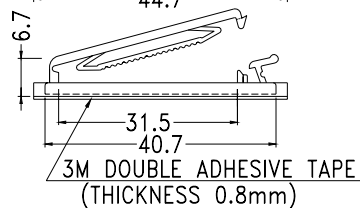
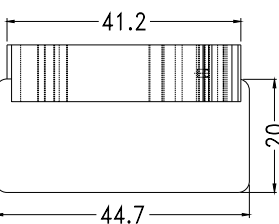
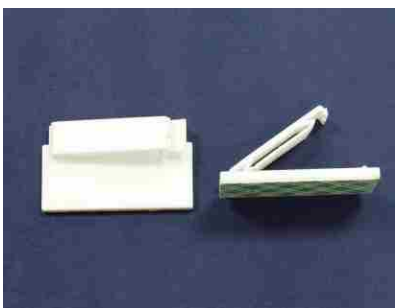
- ┆ MATERIAL: NYLON 66(UL)
- ┆ FLAME CLASS :94V-2
- ┆ COLOR:NATURAL
- ┆ UNIT:mm



PART NO	PACKAGE
YPFCCI-1	200

## FLAT CABLE CLAMP

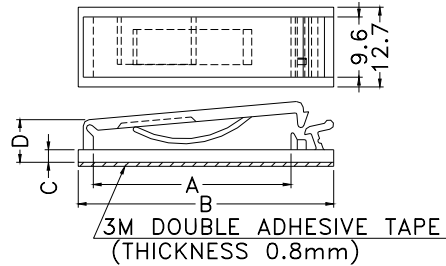
- ┆ MATERIAL: NYLON 66(UL)
- ┆ FLAME CLASS :94V-2
- ┆ COLOR:NATURAL
- ┆ UNIT:mm



PART NO	PACKAGE
YPFCCI-2	100

## ADHESIVE BACKED FLAT CABLE CLAMP

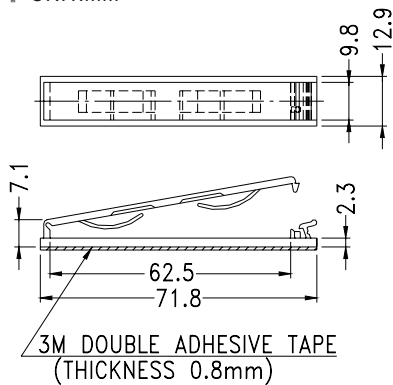
- ┆ MATERIAL: NYLON 66(UL)
- ┆ FLAME CLASS :94V-2
- ┆ COLOR:NATURAL
- ┆ UNIT:mm



PART NO.	A	B	C	D	PACKAGE
YPFCCE-1	31.5	40.7	2.0	6.8	200
YPFCCE-2	52.0	61.2	2.1	6.9	100

## ADHESIVE BACKED FLAT CABLE CLAMP

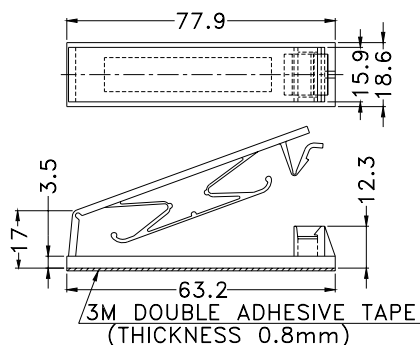
- ┆ MATERIAL: NYLON 66(UL)
- ┆ FLAME CLASS :94V-2
- ┆ COLOR:NATURAL
- ┆ UNIT:mm



PART NO	PACKAGE
YPFCCE-3	100

## ADHESIVE BACKED FLAT CABLE CLAMP

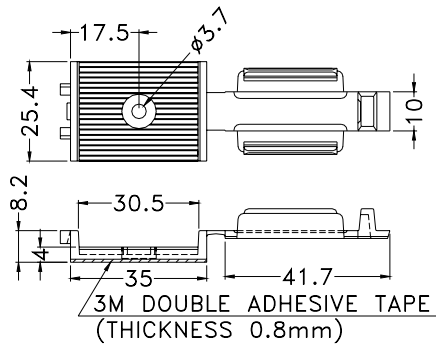
- ┆ MATERIAL: NYLON 66(UL)
- ┆ FLAME CLASS :94V-2
- ┆ COLOR:NATURAL
- ┆ UNIT:mm



PART NO	PACKAGE
YPFCCK-50	100

## FLAT CABLE CLAMP

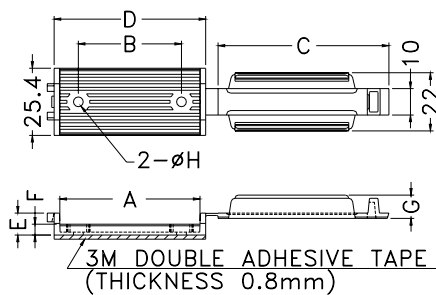
- ┆ MATERIAL: NYLON 66(UL)
- ┆ FLAME CLASS :94V-2
- ┆ COLOR: GRAY
- ┆ UNIT: mm



PART NO	PACKAGE
YPFCCH-30	100

## FLAT CABLE CLAMP

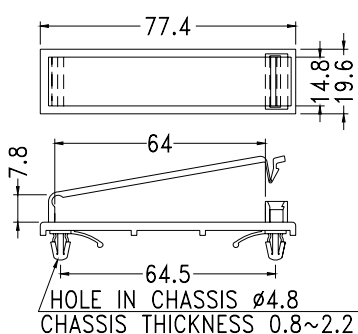
- ┆ MATERIAL: NYLON 66(UL)
- ┆ FLAME CLASS :94V-2
- ┆ COLOR: GRAY
- ┆ UNIT: mm



PART NO.	A	B	C	D	E	F	G	H	PACKAGE
YPFCCH-50	53.0	39.0	64.6	57.3	8.3	4.1	8.8	3.7	50
YPFCCH-80	78.93	38.7	90.6	82.3	12.3	6.0	7.6	3.8	50

## CABLE MOUNT

- ┆ MATERIAL: NYLON 66(UL)
- ┆ FLAME CLASS :94V-2
- ┆ COLOR: NATURAL
- ┆ UNIT: mm



PART NO	PACKAGE
YPFCCT-1	50