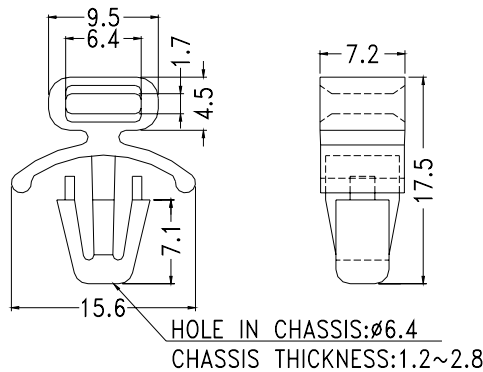
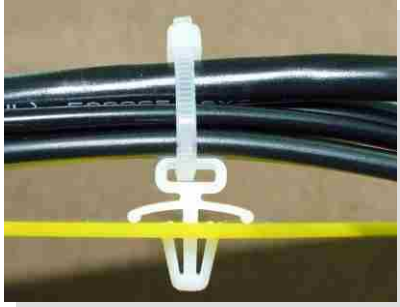


CABLE TIE MOUNT

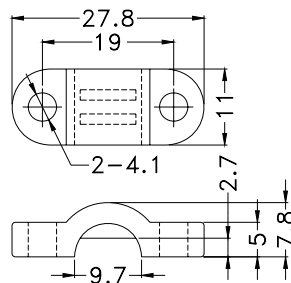
- ┆ MATERIAL: NYLON 66(UL)
- ┆ FLAME CLASS :94V-2
- ┆ COLOR:NATURAL
- ┆ UNIT:mm



PART NO	PACKAGE
YPCCMW-1	1000

WIRE CLIP

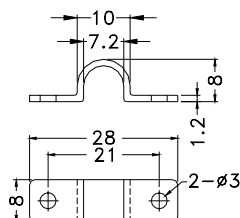
- ┆ MATERIAL: ABS
- ┆ FLAME CLASS :94V-HB/94V-2
- ┆ COLOR: GARY
- ┆ UNIT:mm



PART NO	PACKAGE
YPCLCT-1	500

WIRE CLIP

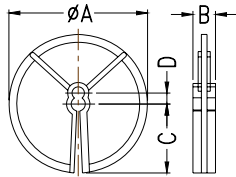
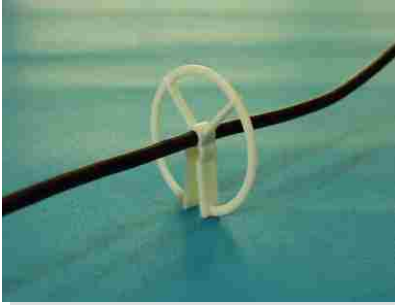
- ┆ MATERIAL: NYLON 66(UL)
- ┆ FLAME CLASS :94V-2
- ┆ COLOR:NATURAL
- ┆ UNIT:mm



PART NO	PACKAGE
YPCLCM-7.5	500

F.B.T CLIP

- ┆ MATERIAL: NYLON 66(UL)
- ┆ FLAME CLASS: 94V-2
- ┆ COLOR: NATURAL
- ┆ UNIT: mm



PART NO	A	B	C	D	FIT CABLE	PACKAGE
YPFBCT-1	49.5	7.8	22.0	5.0	4.5~5.3	100
YPFBCT-2	49.2	7.8	22.0	5.0	3.5~4.5	
YPFBCT-3	50.2	7.4	23.0	5.0	2.5~3.5	
YPFBCT-4	49.5	8.0	22.7	5.0	4.0~5.0 or 5.0~5.5	
YPFBCT-5	49.2	7.0	22.0	4.7	3.7~4.2 or 4.5~5.2	

STICK WIRE MARK

- ┆ MATERIAL: VINYL CHLORIDE
- ┆ IDENTICAL MARK: 0~9 A~Z
- ┆ UNIT: mm
- ┆ 100PCS IN ONE SHEET OF 1 DIGIT

