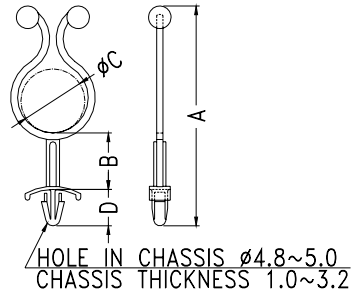
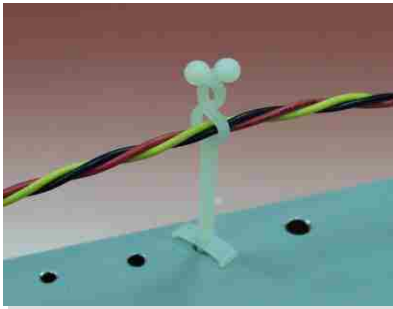


WIRE HOLDER

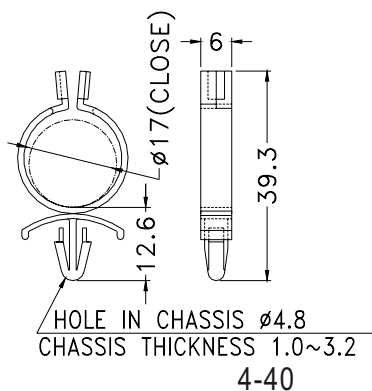
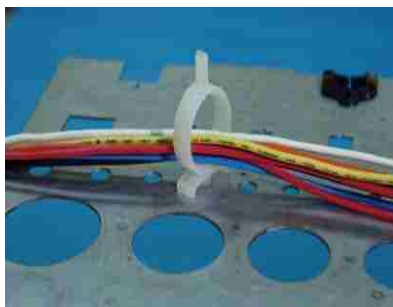
- ┆ MATERIAL: NYLON 66(UL)
- ┆ FLAME CLASS :94V-2
- ┆ COLOR:NATURAL
- ┆ UNIT:mm



PART NO	A	B	C	D	CLOSE C	PACKAGE
YPTHCA-1	33.8	3.1	7.1	10.6	6.1	1000
YPTHCA-2	51.0	20.0	7.1	10.6	6.1	500
YPTHCA-3	66.0	35.3	7.1	10.6	6.1	
YPTHCA-4	39.6	2.8	10.8	10.6	9.8	1000
YPTHCA-5	56.8	20.0	10.8	10.6	9.8	500
YPTHCA-6	71.5	35.2	10.8	10.6	9.8	
YPTHCA-7	42.0	3.0	15.0	10.6	13.8	1000
YPTHCA-8	59.3	20.4	15.0	10.6	13.8	500
YPTHCA-9	74.7	35.8	15.0	10.6	13.8	
YPTHCA-10	63.5	16.2	20.0	10.6	18.4	
YPTHCA-11	56.8	3.0	24.3	9.8	22.3	
YPTHCA-12	53.1	15.3	11.0	10.6	9.7	
YPTHCA-13	102.8	60.4	16.0	10.6	14.5	
YPTHCA-14	55.3	5.0	20.3	10.6	18.7	
YPTHCA-15	43.8	10.5	8.0	10.6	6.8	
YPTHCA-16	34.7	5.6	8.8	10.0	7.0	

WIRE HOLDER

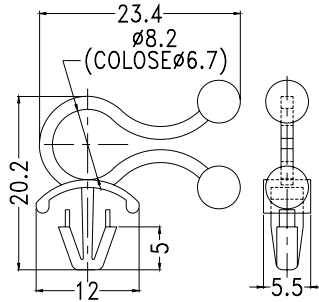
- ┆ MATERIAL: NYLON 66(UL)
- ┆ FLAME CLASS :94V-2
- ┆ COLOR:NATURAL
- ┆ UNIT:mm



PART NO	PACKAGE
YPSLCC-17	500

WIRE HOLDER

- ┆ MATERIAL: NYLON 66(UL)
- ┆ FLAME CLASS :94V-2
- ┆ COLOR:NATURAL
- ┆ UNIT:mm

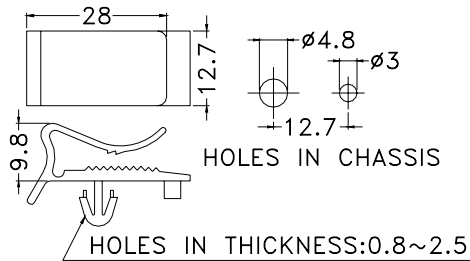


PART NO	PACKAGE
YPTHCH-8	500

MOUNTING HOLE:£4
 CHASSIS THICKNESS:1.6~4.0

FLAT CABLE CLAMP

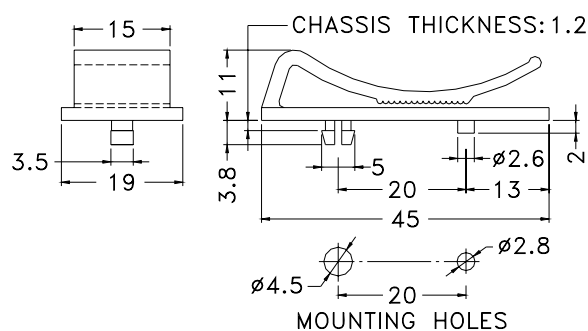
- ┆ MATERIAL: NYLON 66(UL)
- ┆ FLAME CLASS :94V-2
- ┆ COLOR:NATURAL
- ┆ UNIT:mm



PART NO	PACKAGE
YPFCCCT-12	500

FLAT CABLE CLAMP

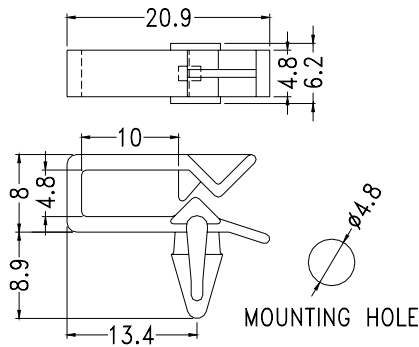
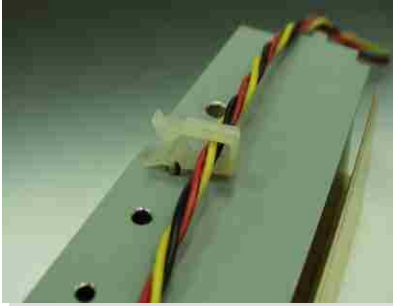
- ┆ MATERIAL: NYLON 66(UL)
- ┆ FLAME CLASS :94V-2
- ┆ COLOR:NATURAL/GRAY
- ┆ UNIT:mm



PART NO	PACKAGE
YPFCCG-15	1000

WIRE SADDLE SIDE ENTRY

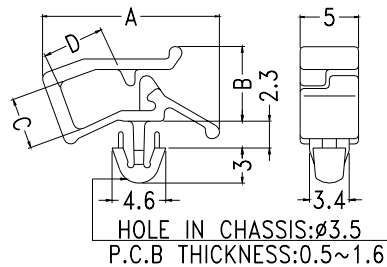
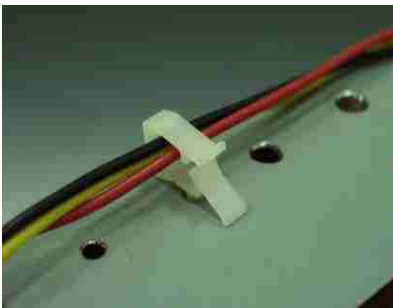
- ┆ MATERIAL: NYLON 66(UL)
- ┆ FLAME CLASS :94V-2
- ┆ COLOR:NATURAL/GRAY
- ┆ UNIT:mm



PART NO	PACKAGE
YPWPCEG-1	1000

WIRE SADDLE SIDE ENTRY

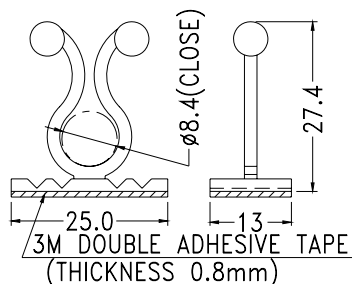
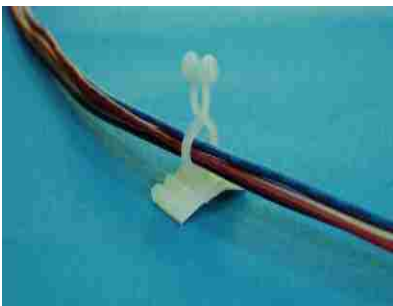
- ┆ MATERIAL: NYLON 66(UL)
- ┆ FLAME CLASS :94V-2
- ┆ COLOR:NATURAL
- ┆ UNIT:mm



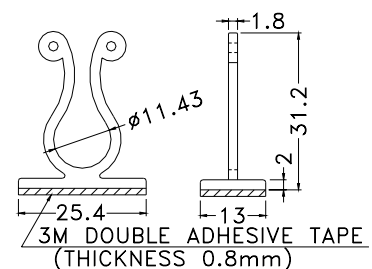
PART NO.	A	B	C	D	PACKAGE
YPWPCEM-1	20.3	8.5	6.2	7.2	1000
YPWPCEM-1S	15.2	6.4	4.3	5.3	

WIRE HOLDER

- ┆ MATERIAL: NYLON 66(UL)
- ┆ FLAME CLASS :94V-2
- ┆ COLOR:NATURAL
- ┆ UNIT:mm



PART NO	PACKAGE
YPKLCB-1	500



PART NO	PACKAGE
YPKLCF-11	500