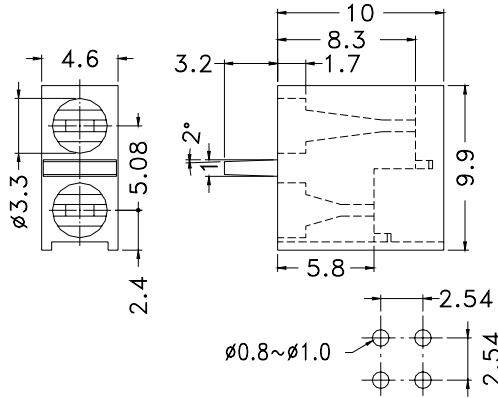
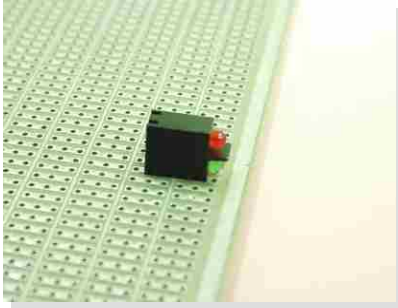


## RIGHT ANGLE LED HOUSING

- ┆ MATERIAL: NYLON 66(UL)
- ┆ FLAME CLASS :94V-2
- ┆ COLOR: BLACK
- ┆ UNIT: mm

Suitable for 3mm LED



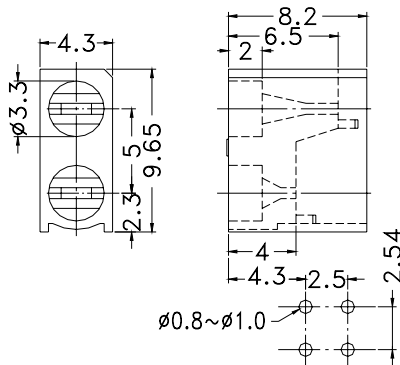
PART NO	PACKAGE
YPLECD-317	1000

MOUNTING HOLES

## RIGHT ANGLE LED HOUSING - 2 WAY

- ┆ MATERIAL: NYLON 66(UL)
- ┆ FLAME CLASS :94V-2
- ┆ COLOR: BLACK
- ┆ UNIT: mm

Suitable for 3mm LED



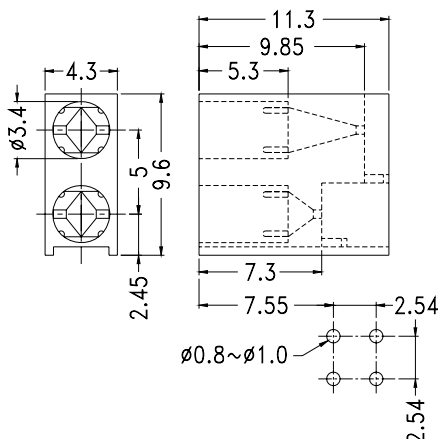
PART NO	PACKAGE
YPLECD -322	1000

MOUNTING HOLES

## RIGHT ANGLE LED HOUSING - 2 WAY

- ┆ MATERIAL: NYLON 66(UL)
- ┆ FLAME CLASS :94V-2
- ┆ COLOR: BLACK
- ┆ UNIT: mm

Suitable for 3mm LED



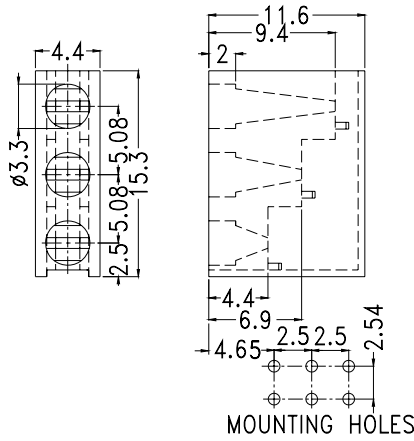
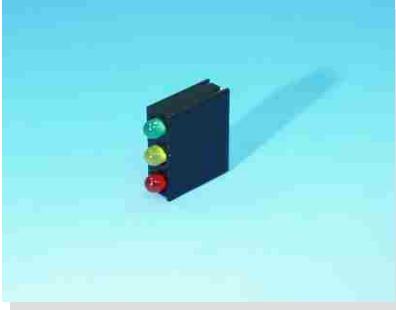
PART NO	PACKAGE
YPLECD -323	1000

MOUNTING HOLES

## RIGHT ANGLE LED HOUSING - 3 WAY

- ┆ MATERIAL: NYLON 66(UL)
- ┆ FLAME CLASS :94V-2
- ┆ COLOR:BLACK
- ┆ UNIT:mm

Suitable for 3 mm LED

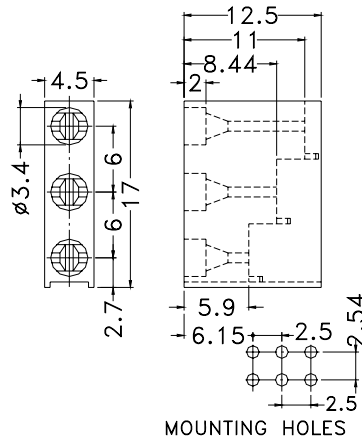
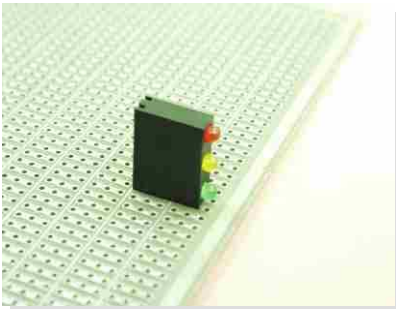


PART NO	PACKAGE
YPLECD-330	1000

## RIGHT ANGLE LED HOUSING - 3 WAY

- ┆ MATERIAL: NYLON 66(UL)
- ┆ FLAME CLASS :94V-2
- ┆ COLOR:BLACK
- ┆ UNIT:mm

Suitable for 3 mm LED

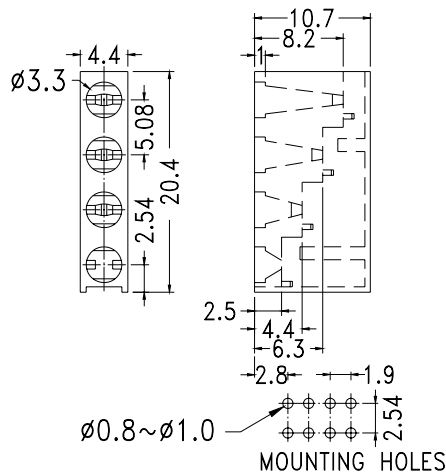
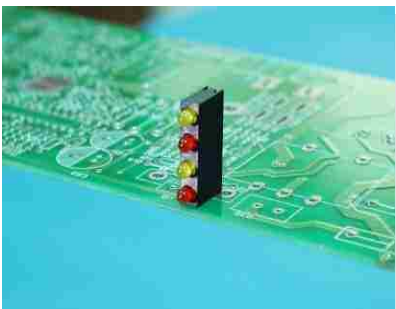


PART NO	PACKAGE
YPLECD-331	1000

## RIGHT ANGLE LED HOUSING - 4 WAY

- ┆ MATERIAL: NYLON 66(UL)
- ┆ FLAME CLASS :94V-2
- ┆ COLOR:BLACK
- ┆ UNIT:mm

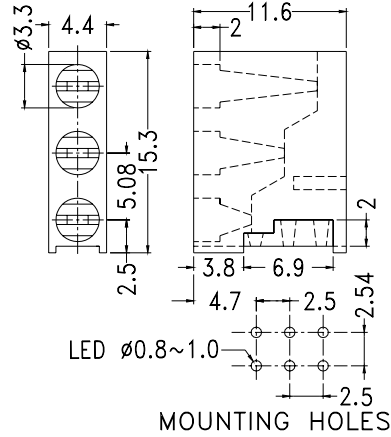
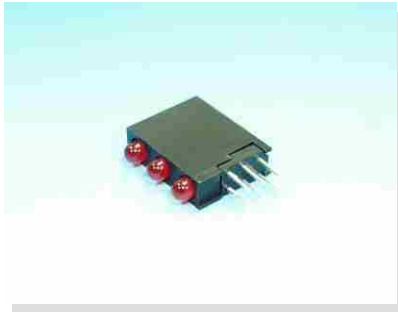
Suitable for 3 mm LED



PART NO	PACKAGE
YPLECD-340	1000

## RIGHT ANGLE LED HOUSING - 3 WAY

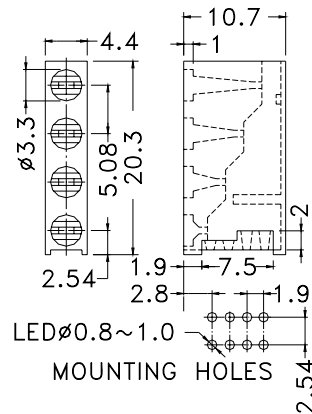
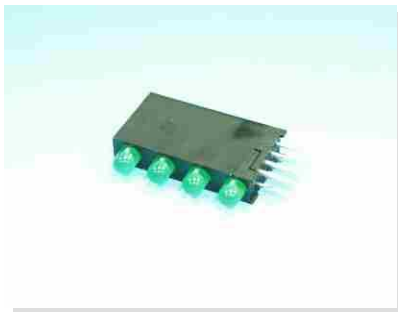
- ┆ MATERIAL: NYLON 66(UL)      Suitable for 3 mm LED
- ┆ FLAME CLASS :94V-2
- ┆ COLOR: BLACK
- ┆ UNIT: mm



PART NO	PACKAGE
YPLHC-330	1000

## RIGHT ANGLE LED HOUSING - 4 WAY

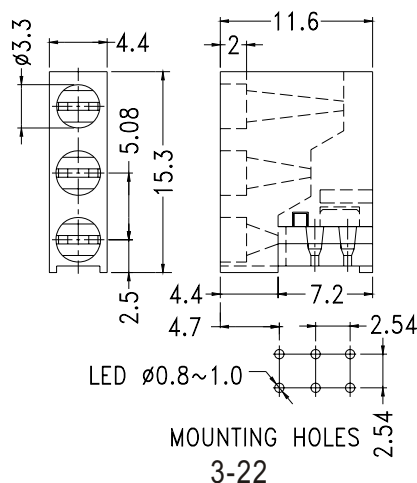
- ┆ MATERIAL: NYLON 66(UL)      Suitable for 3 mm LED
- ┆ FLAME CLASS :94V-2
- ┆ COLOR: BLACK
- ┆ UNIT: mm



PART NO	PACKAGE
YPLHC-340	1000

## RIGHT ANGLE LED HOUSING - 3 WAY

- ┆ MATERIAL: NYLON 66(UL)      Suitable for 3 mm LED
- ┆ FLAME CLASS :94V-2
- ┆ COLOR: BLACK
- ┆ UNIT: mm



PART NO	PACKAGE
YPKLCH -330	1000