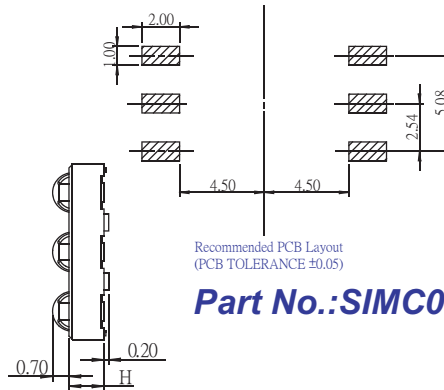
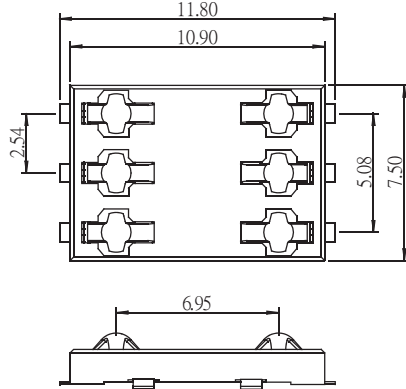


SIM Card Conn. Series

MATERIAL

Insulator Material:LCP,UL 94V-0
Contact Material:Copper Alloy
Finish:Gold Plating 15u"



Recommended PCB Layout
(PCB TOLERANCE ± 0.05)

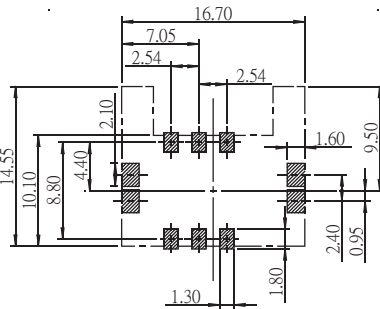
Part No.:SIMC0131-  06GFB-U

- 15:Plastic Height H=1.5mm
- 18:Plastic Height H=1.8mm
- 20:Plastic Height H=2.0mm
- 22:Plastic Height H=2.2mm
- 26:Plastic Height H=2.6mm
- 28:Plastic Height H=2.8mm

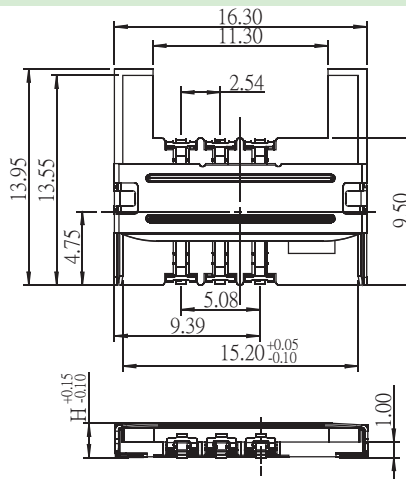


MATERIAL

Insulator Material:LCP,UL 94V-0
Contact Material:Copper Alloy
Finish:Gold Plating 15u"



Recommended PCB Layout
(PCB TOLERANCE ± 0.05)



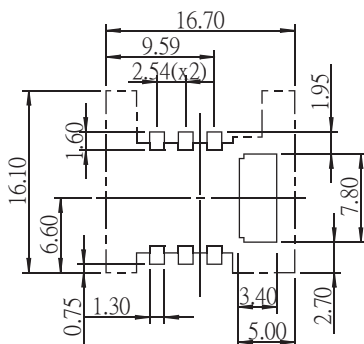
Part No.:SIMC0150-  06GFB-U

- 21:Plastic Height H=2.1mm
- 23:Plastic Height H=2.3mm

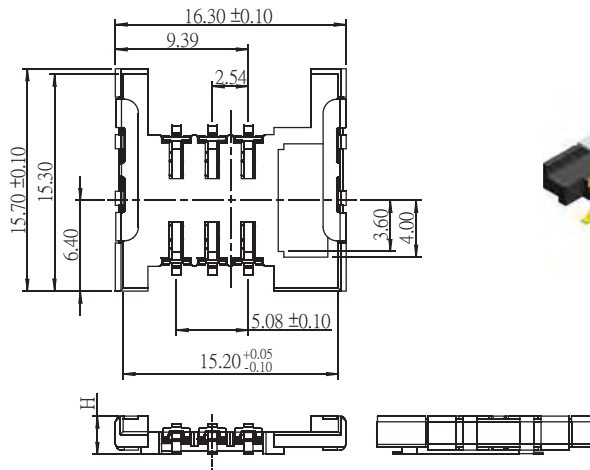


MATERIAL

Insulator Material:LCP,UL 94V-0
Contact Material:Copper Alloy
Finish:Gold Plating 15u"



Recommended PCB Layout
(PCB TOLERANCE ± 0.05)



Part No.:SIMC0155-  06GFB-U

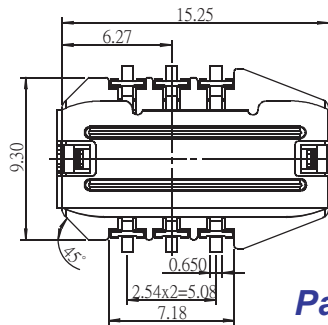
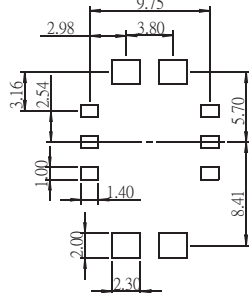
- 27:Plastic Height H=2.7mm
- 29:Plastic Height H=2.9mm



SIM Card Conn. Series

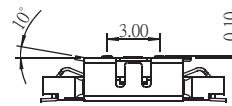
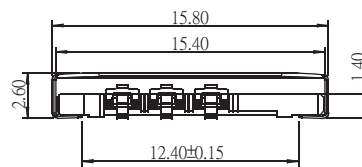
MATERIAL

Insulator Material:LCP,UL 94V-0
Contact Material:Copper Alloy
Finish:Gold Plating 15u"



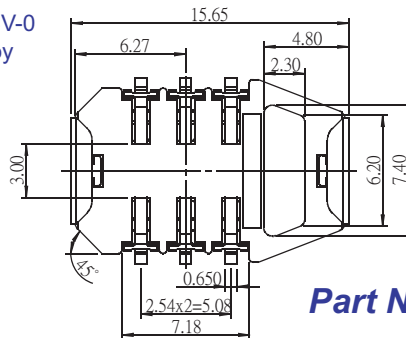
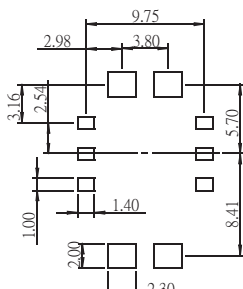
Part No.:SIMC0157-26 A 06GFB-U

26:Plastic Height H=2.6mm



MATERIAL

Insulator Material:LCP,UL 94V-0
Contact Material:Copper Alloy
Finish:Gold Plating 15u"



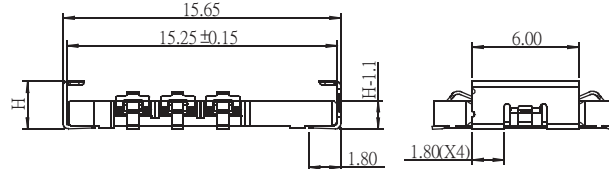
Part No.:SIMC0157- B06GFB-U

25:Plastic Height H=2.5mm

27:Plastic Height H=2.7mm

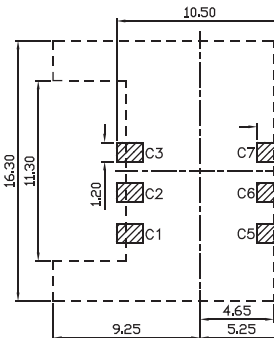
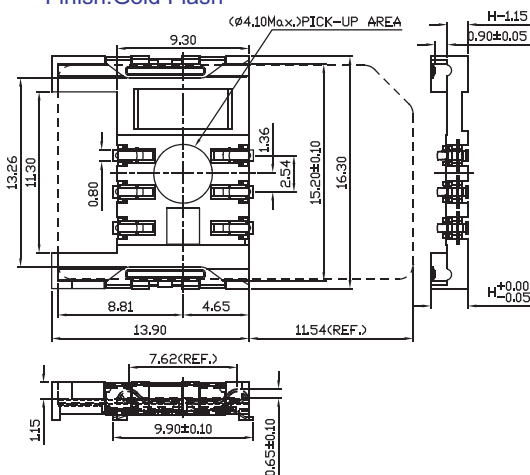
29:Plastic Height H=2.9mm

31:Plastic Height H=3.1mm



MATERIAL

Insulator Material:LCP,UL 94V-0
Contact Material:Copper Alloy
Finish:Gold Flash



Part No.:SIMC0222- 06GB-U

22:Plastic Height H=2.2mm

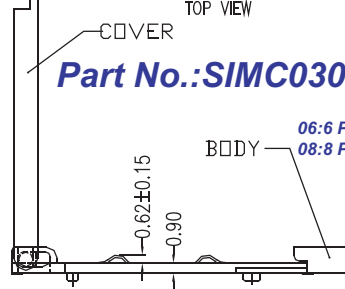
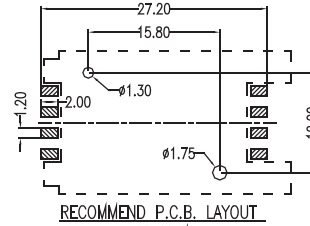
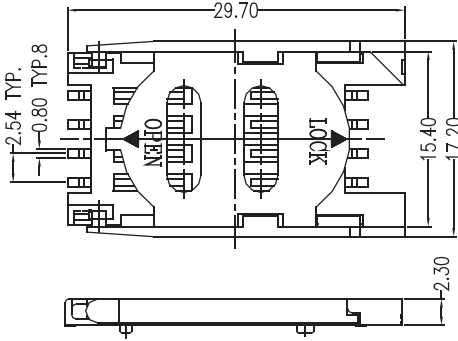
24:Plastic Height H=2.4mm

26:Plastic Height H=2.6mm

SIM / Mini SD / Micro Card Conn. Series

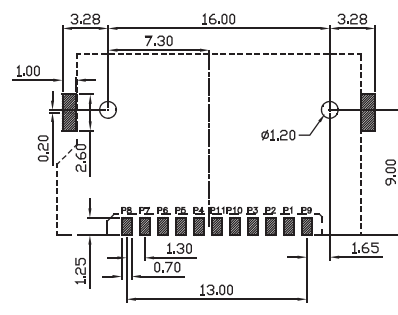
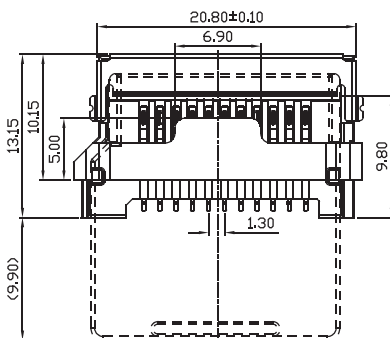
MATERIAL

Insulator Material:LCP On Cover , PPS On Body
 Contact Material:Copper Alloy
 Finish:Gold Flash, 15u", 30u"

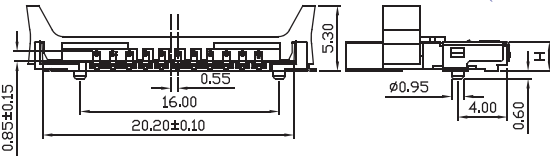


Part No.:SIMC0300- **B** **-U**

06:6 PIN
 08:8 PIN
 G:Gold Flash
 GF:Gold 15u"
 GD:Gold 30u"
 T:Tube
 R:Taping & Reel
 1:WITH POST
 2:W/O POST



MATERIAL
 Insulator Material:LCP,UL 94V-0
 Contact Material:Copper Alloy
 Finish:Gold Plated 10u"

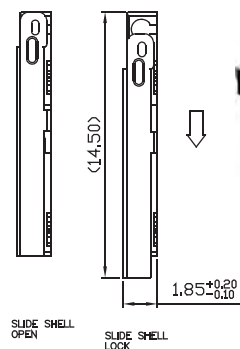
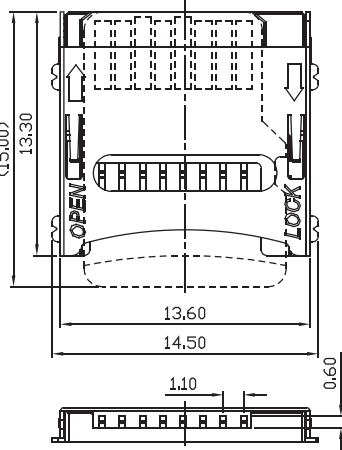
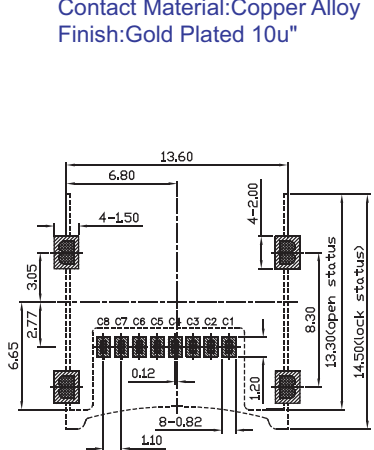


MINI SD CARD

Part No.:MSDC0201- **11GBB-U**

22:Plastic Height H=2.2mm
 24:Plastic Height H=2.4mm

MATERIAL
 Insulator Material:LCP,UL 94V-0
 Contact Material:Copper Alloy
 Finish:Gold Plated 10u"



Recommended PCB Layout
 (PCB TOLERANCE ±0.05)

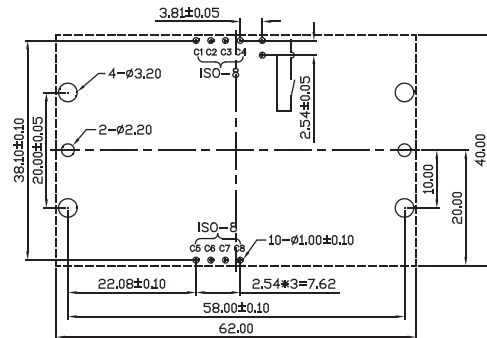
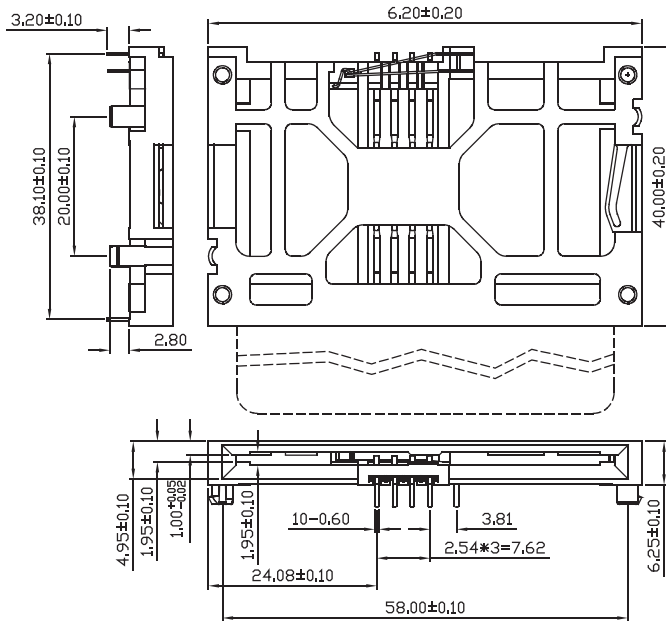
MICRO SD CARD(T-Flash)

Part No.:TSDC0201-08GBB-U

Smart Card Conn.

MATERIAL

Insulator Material:LCP,UL 94V-0
 Contact Material:Copper Alloy
 Plated:Selective

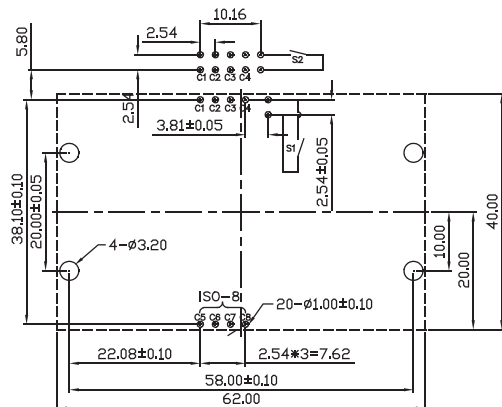
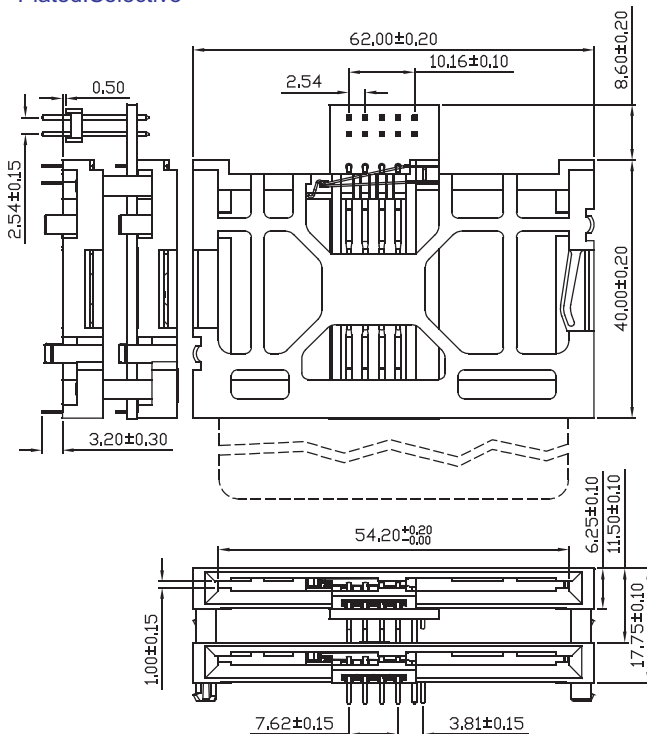


Recommended PCB Layout
 (PCB TOLERANCE ±0.05)

Part No.:SMAC02-609-U

MATERIAL

Insulator Material:LCP,UL 94V-0
 Contact Material:Copper Alloy
 Plated:Selective



Recommended PCB Layout
 (PCB TOLERANCE ±0.05)

Part No.:SMAC02-669-U