



### Features

- 8mm Round / Single-Turn / Cermet Industrial / Open Frame
- Cross slot adjustment options
- Horizontal and vertical mounting styles
- Dust resistant / splash resistant covers
- Pc board stand-offs and retention feature
- Front and top adjust styles

## 8mm Ceramic, Trimmer Potentiometer

### Electrical Characteristics

#### Standard Resistance Range

.....	100Ω to 1 megohm (see standard resistance table)
Resistance Tolerance.....	±20% (TK±25%)
Adjustment Angle.....	280° ± 15°
Residual Resistance.....	=<500Ω, 10Ω > 500Ω, 2% (TK=<1KΩ, 20Ω >1KΩ, 5%)

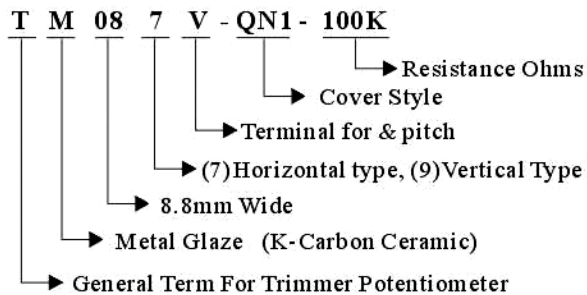
### Environmental Characteristics

Power Rating	
Max Working Voltage.....	250V (TK 200V)
70°C.....	0.3 Watt (TK 0.2 Watt)
Temperature Range.....	-30°C to +100°C (TK -25°C to +100°C)
Temperature Coefficient.....	±250ppm/°C (TK±1000ppm/°C)
Rotation Life.....	±10% (TK±15%)
Load Life.....	1000 hours 0.3watt 70°C ±5% (TK 500 hours 0.2watt 70°C =<100KΩ, ±7% >100KΩ, ±10%)

### Physical Characteristics

Torque (Operating).....	50~350 gf-cm
Stop Strength.....	0.8 kgf-cm
Soldering Conditions.....	240°C to 260°C and with in 3 seconds
Marking.....	Resistance code
Standard Packaging.....	500 pcs. Per bag
Aqueous cleaning not recommended	

### How to order



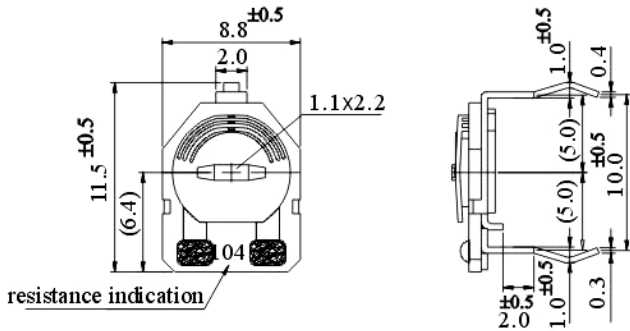
**Standard Resistance Table**

Resistance Ohms	Resistance Code
100Ω	101
200Ω	201
300Ω	301
500Ω	501
1KΩ	102
10KΩ	103
100KΩ	104
1MΩ	105

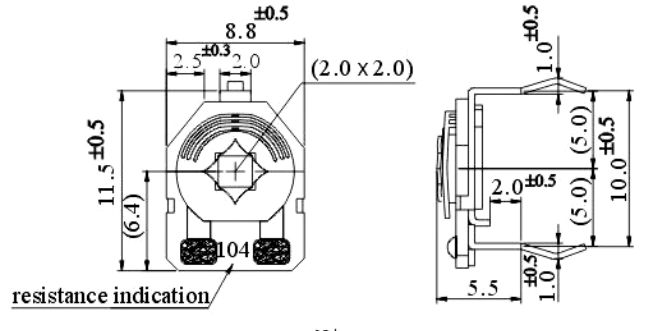
Cover Style		L	D
Q	N1	4.2	8.8
	N2	6.7	5.0
	N4	12.7	5.0
	K2	5.7	6.0
G	K3	9.7	6.0
	K5	15	6.0

## 8mm Ceramic, Trimmer Potentiometer

STYLE : TM087V-O  
TK087V-O



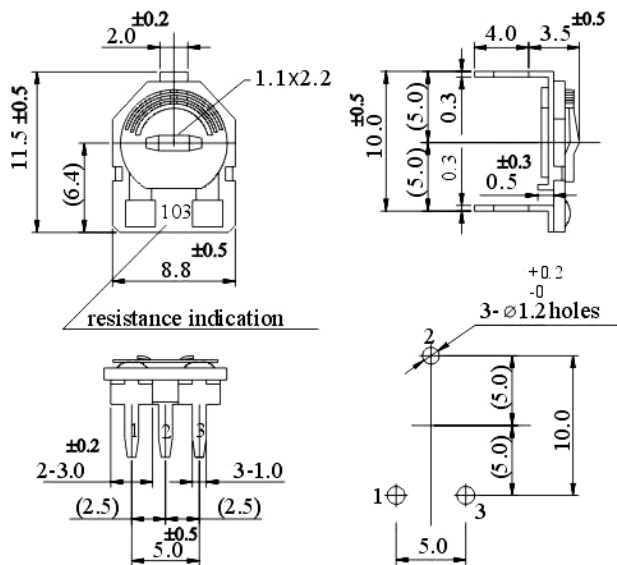
STYLE : TM087V-Q  
TK087V-Q



MOUNTING DETAIL TOLERANCE ±0.1

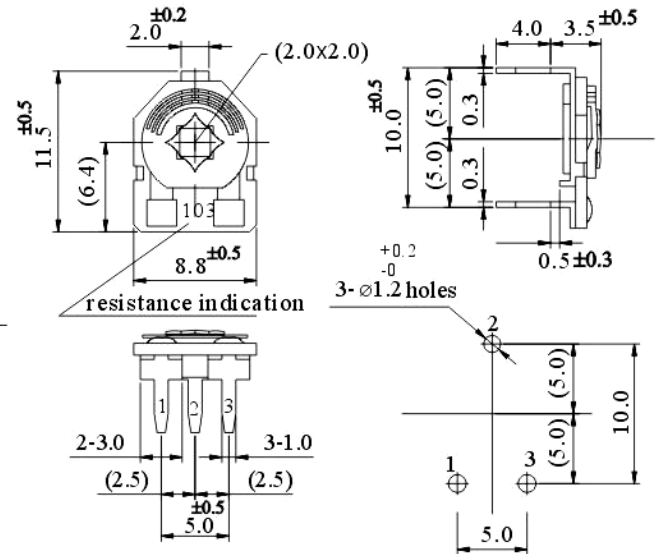
MOUNTING DETAIL TOLERANCE ±0.1

STYLE : TM087F-O  
TK087F-O



MOUNTING DETAIL TOLERANCE ±0.1

STYLE : TM087F-Q  
TK087F-Q

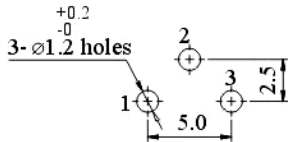
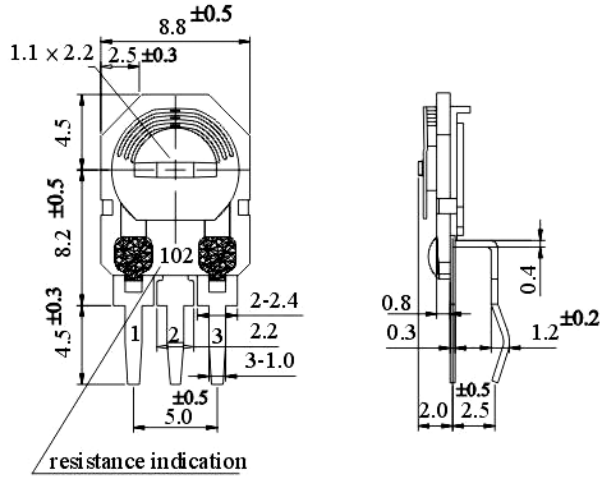


MOUNTING DETAIL TOLERANCE ±0.1



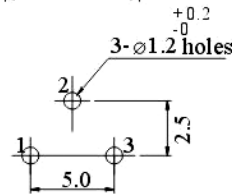
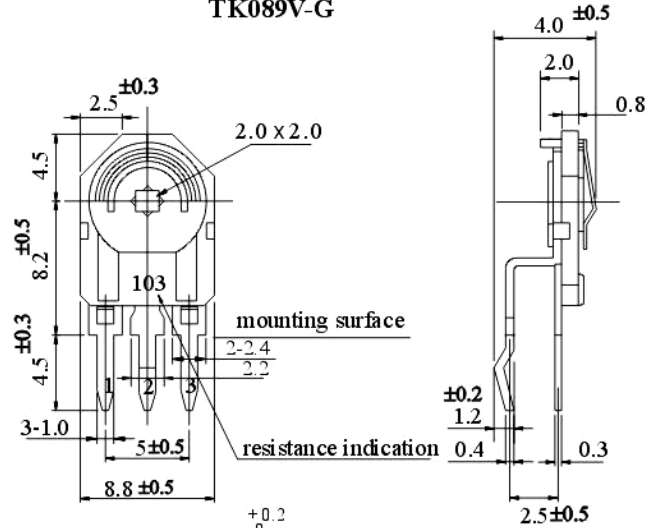
## 8mm Ceramic, Trimmer Potentiometer

**STYLE : TM089V-O  
TK089V-O**



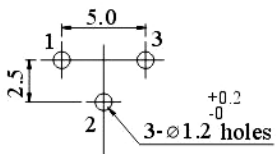
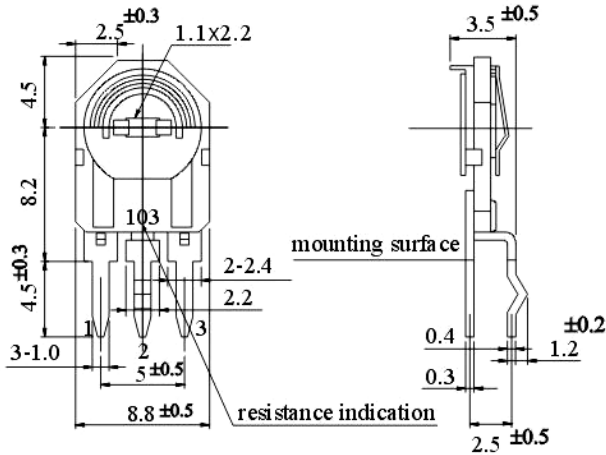
**MOUNTING DETAIL TOLERANCE  $\pm 0.1$**

**STYLE : TM089V-G  
TK089V-G**



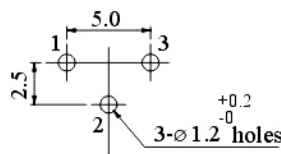
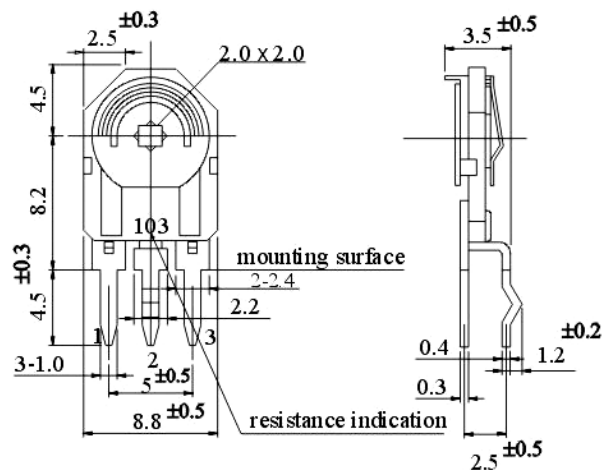
**MOUNTING DETAIL TOLERANCE  $\pm 0.1$**

**STYLE : TM089E-O  
TK089E-O**



**MOUNTING DETAIL TOLERANCE  $\pm 0.1$**

**STYLE : TM089E-G  
TK089E-G**

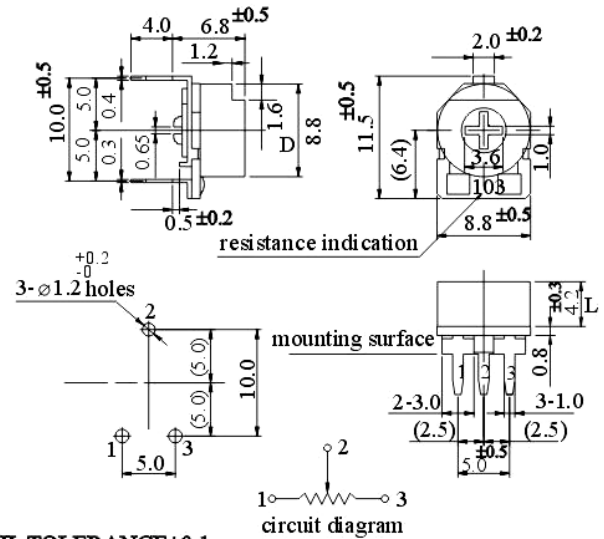
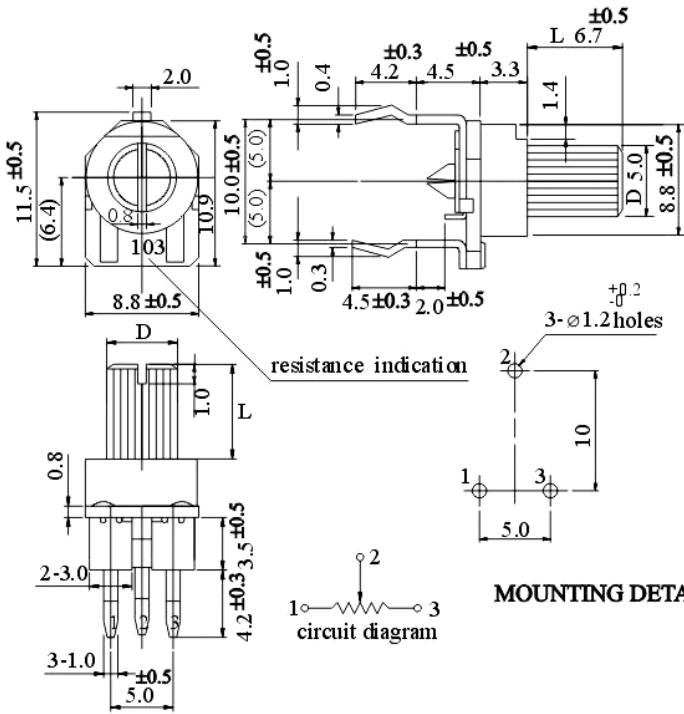


**MOUNTING DETAIL TOLERANCE  $\pm 0.1$**

# 8mm Ceramic, Trimmer Potentiometer

**STYLE : TM087V-QN2  
TK087V-QN2**

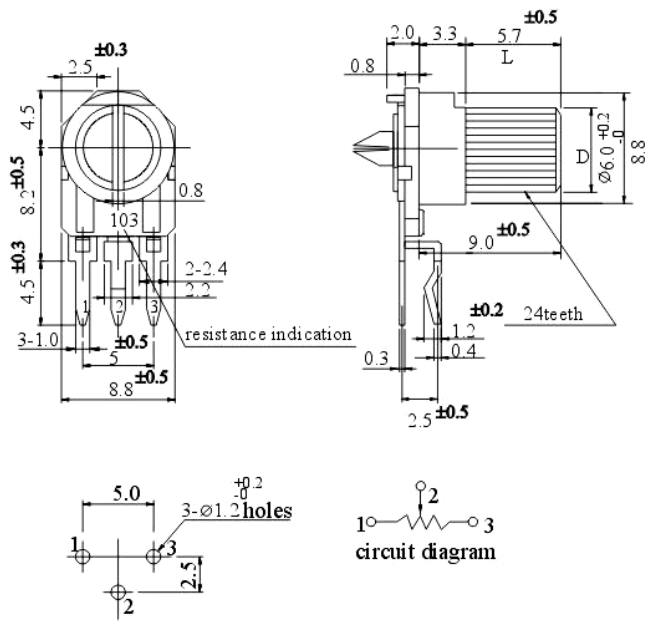
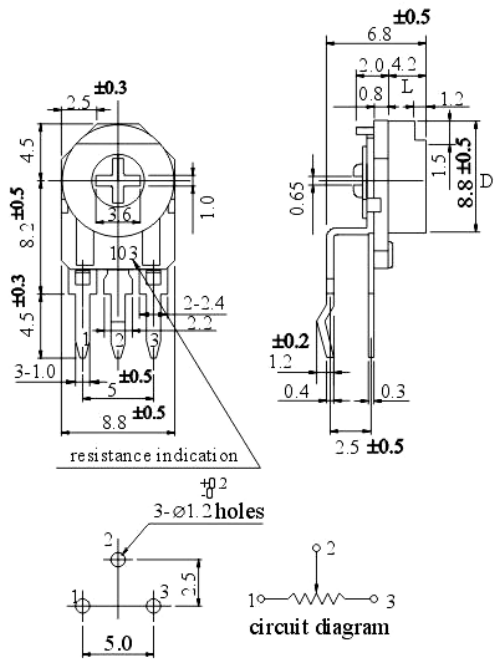
**STYLE : TM087F-QN1  
TK087F-QN1**



**MOUNTING DETAIL TOLERANCE ±0.1**

**STYLE : TM089V-GN1  
TK089V-GN1**

**STYLE : TM089E-GK2  
TK089E-GK2**



**MOUNTING DETAIL TOLERANCE ±0.1**

**MOUNTING DETAIL TOLERANCE ±0.1**



Crest Technologies Pty Ltd  
46/41-49 Norcal Rd Nunawading 3131 Australia  
Tel: (03) 9873 8830 Fax: (03) 9873 8799  
Email: sales@cresttech.com.au  
Web: http://www.cresttech.com.au