

**Model:** L-5T3PWH-D2  
 25 Degree 5mm LED Lamp in Ultra White Color with Water Transparent Lens

**Dice Material:**  
 GaInN

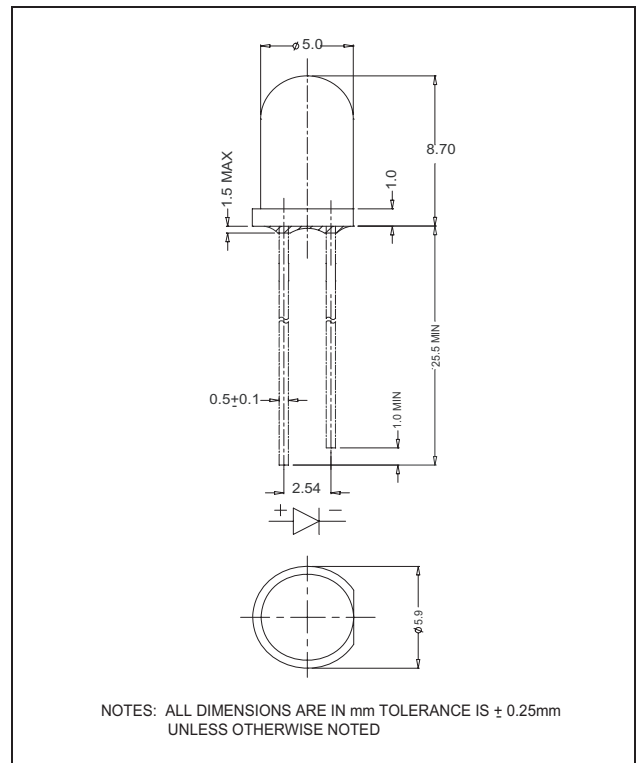
**Features:**

- Suitable high pulse current operation
- Extra high radiant power and radiant intensity
- Low Forward Voltage

**Absolute Maximum Ratings at Ta = 25°C**

Items	Symbol	Absolute maximum Rating	Unit
Forward Current	$I_F$	30	mA
Derating Linear from 25°C		0.4	mA/°C
Reverse Voltage	$V_R$	5	V
Power Dissipation	$P_D$	120	mW
Operation Temperature	$T_{opr}$	-25 ~ +85	°C
Storage Temperature	$T_{stg}$	-40 ~ +85	°C
Lead Soldering Temperature	$T_{sol}$	Max.250°C for 3 sec Max. (1.6mm from body)	

**Dimension Drawing**



**Typical Electrical & Optical Characteristics ( Ta = 25°C)**

Items	Symbol	Condition	Min.	Typ.	Max.	Unit
Forward Voltage	$V_F$	$I_F = 20\text{mA}$	---	3.5	4.0	V
Reverse Current	$I_R$	$V_R = 5\text{V}$	---	---	100	A
Dominant Wavelength	$\lambda_D$	$I_F = 20\text{mA}$	---	---	---	nm
Luminous Intensity	$I_V$	$I_F = 20\text{mA}$	---	7500	---	mcd
50% Power Angle	$2\Theta_{1/2}$	$I_F = 20\text{mA}$	---	25	---	deg