

Model: L-5T3PPG-D1
 18 Degree 5mm LED Lamp in Pure Green Color with Water Transparent Lens

Dice Material:
 GaInN

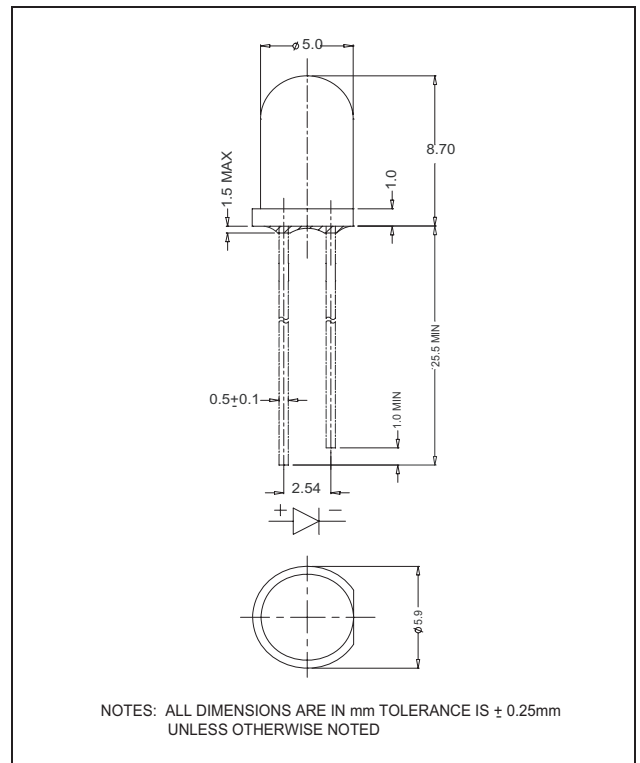
Features:

- Suitable high pulse current operation
- Extra high radiant power and radiant intensity
- Low Forward Voltage

Absolute Maximum Ratings at Ta = 25°C

Items	Symbol	Absolute maximum Rating	Unit
Forward Current	I_F	30	mA
Derating Linear from 25°C		0.4	mA/°C
Reverse Voltage	V_R	5	V
Power Dissipation	P_D	120	mW
Operation Temperature	T_{opr}	-25 ~ +85	°C
Storage Temperature	T_{stg}	-40 ~ +85	°C
Lead Soldering Temperature	T_{sol}	Max.250°C for 3 sec Max. (1.6mm from body)	

Dimension Drawing



Typical Electrical & Optical Characteristics (Ta = 25°C)

Items	Symbol	Condition	Min.	Typ.	Max.	Unit
Forward Voltage	V_F	$I_F = 20\text{mA}$	---	3.5	4.0	V
Reverse Current	I_R	$V_R = 5\text{V}$	---	---	100	A
Dominant Wavelength	λ_D	$I_F = 20\text{mA}$	---	525	---	nm
Luminous Intensity	I_V	$I_F = 20\text{mA}$	---	4500	---	mcd
50% Power Angle	$2\Theta_{1/2}$	$I_F = 20\text{mA}$	---	18	---	deg