



Crest Technologies Pty Ltd
 46/41-49 Norcal Rd Nunawading 3131 Australia
 Tel: (03) 9873 8830 Fax: (03) 9873 8799
 Email: sales@cresttech.com.au
 Web: http://www.cresttech.com.au

Crystal Oscillator

Series HCO-6M, HCMOS/TTL Crystal Oscillator

FEATURE

- All metal welded package
- Broad frequency range from 0.25MHz to 180MHz
- Built-in C-MOS IC with tri-state function
- 5V and 3.3V supply model available



ELECTRICAL SPECIFICATIONS

Model type		Full Size		Half Size	
Fan Out Type		TTL/CMOS	CMOS	TTL/CMOS	CMOS
Supply Voltage		5.0V	3.3V	5.0V	3.3V
Frequency Range		0.25-180MHz	0.25-180MHz	0.25-180MHz	0.25-180MHz
Operating Temperature		0-70°C, -20-70°C, -40-85°C			
Frequency Range Input Current (Max)	0.25MHz ~9.999MHz	15mA	10mA	15mA	10mA
	10.000MHz ~23.999MHz	15mA	10mA	15mA	10mA
	24.000MHz ~49.999MHz	30ma	20mA	30ma	20mA
	50.000MHz ~79.999MHz	40mA	20mA	40mA	20mA
	80.000MHz ~180.000MHz	50mA	30mA	50mA	30mA
Frequency Stability	All Conditions	±5ppm ~ ±100ppm			
Symmetry	AT 1/2 Vdd	45/55%			
Input Voltage	Vol (max)	0.4V/0.5V	0.33V	0.4V/0.5V	0.33V
		2.4V/4.5V	3.0V	2.4V/2.5V	3.0V
Rise/Fall Time	AT 0.1Vdd~0.9Vdd	5ns max			
Driving Ability	CMOS load max	15pF/50pF	15pF	15pF/50pF	15pF
	TTL load max	10TTL		10TTL	
Start-up Time	Load RANGE	5 ms max (15pF) / 10 ms (50pF)			
E/D Function	#1 OPEN	PIN #8 OPEN		#5 OPEN	
	#1 >=2.2V	PIN #8 OPEN		#5 OPEN	
	#1 <=0.8V	PIN #8 HIGHZ		#5 HIGHZ	
PAD Connection		PIN#1 E/D	PIN#8 OUT	PIN#1 E/D	PIN#5 OUT
		PIN#7 GND	PIN#14 Vdd	PIN#4 GND	PIN#8 Vdd

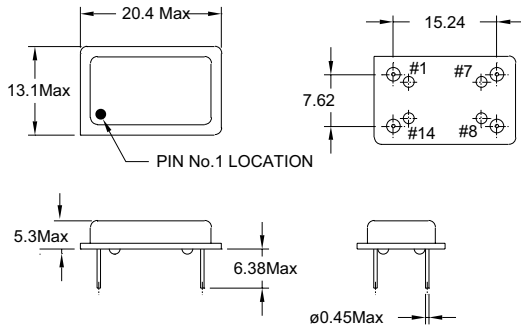


Crest Technologies Pty Ltd
 46/41-49 Norcal Rd Nunawading 3131 Australia
 Tel: (03) 9873 8830 Fax: (03) 9873 8799
 Email: sales@cresttech.com.au
 Web: http://www.cresttech.com.au

Crystal Oscillator

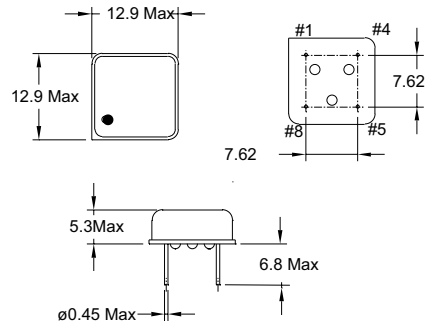
Series HCO-6M, HCMOS/TTL Crystal Oscillator

MARKING AND DIMENSIONS



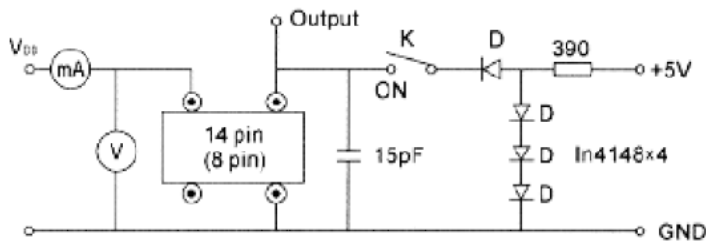
PIN CONNECTION - DIP14	
PIN 1:	NO CONNECTION
PIN 7:	GROUND
PIN 8:	OUTPUT
PIN 14:	V _{DD} SUPPLY VOLTAGE

Units: mm



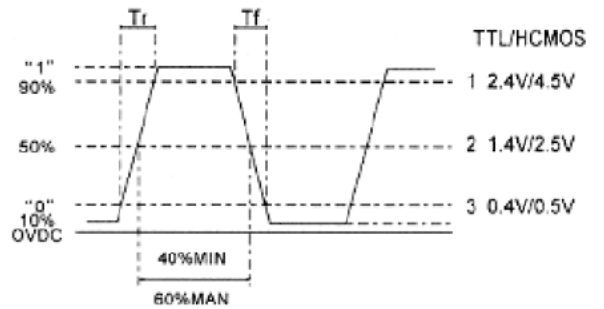
PIN CONNECTION - DIP8	
PIN 1:	NO CONNECTION
PIN 4:	GROUND
PIN 5:	OUTPUT
PIN 8:	V _{DD} SUPPLY VOLTAGE

CIRCUIT PRINCIPLE



K → ON: Test TTL Logic
 K → OFF: Test HCMOS

OUTPUT WAVE FORM



PART NUMBER

HCO -	6MH	12.000	5	50	X	A
	Model type 6MF: Full size. 14pin 6MH: Half size. 8pin	Frequency 12.000:12.000 MHz	Supply voltage 5:5V 3.3:3.3V	Frequency tolerance 50:±50ppm 25:±25ppm	Fan out type X:TTL/CMOS Y:CMOS X:TTL	Temperature range A:0-70°C B:-20-70°C C:-40-85°C

