



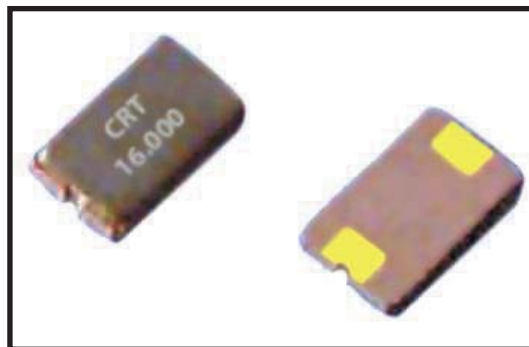
QUARTZ CRYSTAL - HC7G SERIES

Glass Sealed Ceramic 6 X 3.5mm

Surface Mount Package (SMD)

FEATURES

- Leadless type
- High reliable environmental performance
- Automatic mounting
- Embossed tapping specifications
- Reflow soldering
- Available on tape & reel, 1000pcs/reel



ELECTRICAL SPECIFICATIONS

Nominal frequency	10.000MHz to 80MHz
Operating temperature	-10 to 60°C (Standard) <i>optional:</i> -20 to 70°C , -40 to 85°C
Storage temperature	-55 to 125°C
Frequency tolerance	±10ppm ~ ±50ppm
Frequency Stability over operating temperature range	±30ppm -10 to 60°C ±50ppm -20 to +70°C
Load Capacitance	16pF,20pF,30pF,32pF ,Series, or specify
Equivalent series resistance (ESR)	See Table
Shunt capacitance(Co)	5.0pF Max
Drive Level	10µW- 100µW
Aging @25°C 1st year (max)	±3ppm/year

ESR and OPERATING MODE

Frequency Range MHz	E.S.R (Ω Max)	Mode
8.000~10.000	70	Fundamental AT
10.000~30.000	40	Fundamental AT
30.000~45.000	60	Third Overtone/AT
45.000~80.000	50	Third Overtone/AT

Mechanical Characteristics

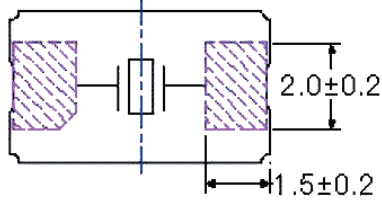
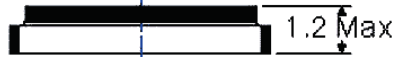
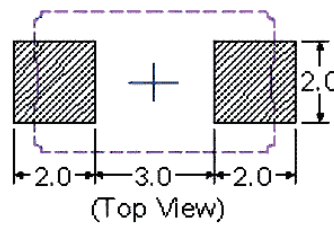
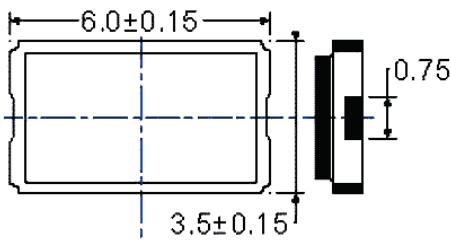
Resistance to shock:	Drop test 3 times on 2mm stainless plate at 75cm height
----------------------	---



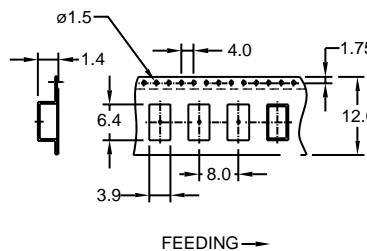
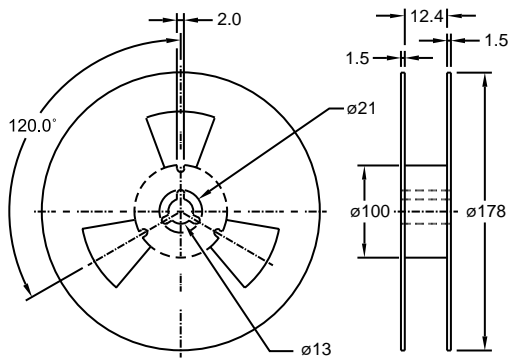
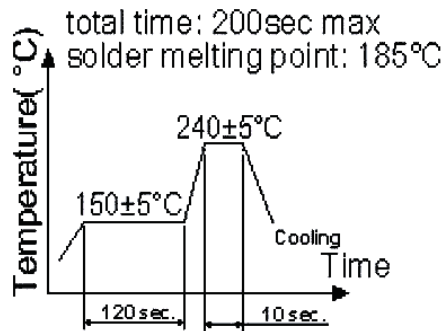
Crest Technologies Pty Ltd
 46/41-49 Norcal Rd Nunawading 3131, Australia
 Tel: +61 3 9873 8830 Fax: +61 3 9873 8802
 Email: sales@cresttech.com.au
 Web: http://www.cresttech.com.au

QUARTZ CRYSTAL - HC7G SERIES
Glass Sealed Ceramic 6 X 3.5mm
Surface Mount Package (SMD)

Dimensions



Connection and Pad
(Top View)



TAPE AND REEL DIMENSIONS

Ordering

HC7G -	16.000	- 16	- 30	- A
Series	Frequency in MHz	Load Capacitance (pf)	Frequency Tolerance in ppm	Operating Temperature Range
	Please specify frequency required.	Options: 12,16,18,20,30, s (= series), or specify	±30ppm (std)	A= -10 to 60°C (std) B= -20 to 70°C C= -40 to 85°C