



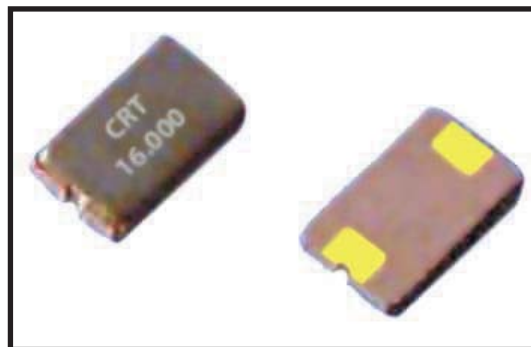
## QUARTZ CRYSTAL - HC6J SERIES

### Glass Sealed Ceramic 7 X 5.0mm

### Surface Mount Package

#### FEATURES

- Small SMD type crystal unit.
- High reliability
- Automatic mounting



#### ELECTRICAL SPECIFICATIONS

Nominal frequency	8.000MHz to 110MHz
Operating temperature	-10 to 60°C ( Standard ) <i>optional:</i> -20 to 70°C , -40 to 85°C
Storage temperature	-55 to 125°C
Frequency tolerance	±10 ~ ±50ppm
Frequency Stability over operating temperature range	±30ppm -10 to 60°C ±50ppm -20 to +70°C
Load Capacitance	16pF,20pF,30pF,32pF ,Series, or specify
Equivalent series resistance (ESR)	See Table
Shunt capacitance(Co)	5pF Max
Drive Level	10µW~ 100µW
Aging @25°C 1st year (max)	±3ppm, ±5ppm/year

#### ESR and OPERATING MODE

Frequency Range MHz	E.S.R (Ω Max)	Mode
8.000~10.000	70	Fundamental AT
10.000~30.000	40	Fundamental AT
30.000~45.000	60	Third Overtone/AT
45.000~80.000	50	Third Overtone/AT

#### Mechanical Characteristics

Resistance to shock:	Drop test 3 times on 2mm stainless plate at 75cm height
----------------------	---



**crest** technologies  
 Crest Technologies Pty Ltd  
 46/41-49 Norcal Rd Nunawading 3131, Australia  
 Tel: +61 3 9873 8830 Fax: +61 3 9873 8802  
 Email: sales@cresttech.com.au  
 Web: http://www.cresttech.com.au

# QUARTZ CRYSTAL - HC6J SERIES

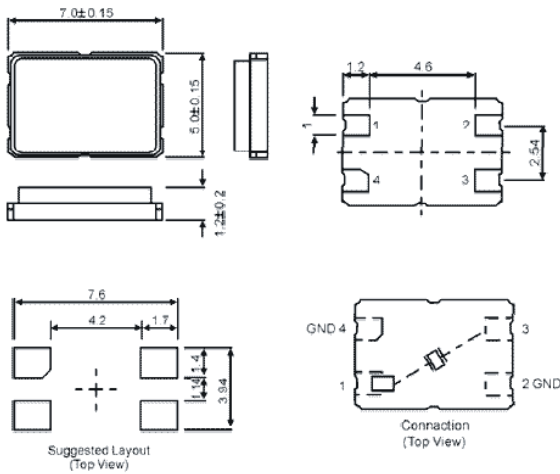
## Glass Sealed Ceramic 7 X 5.0mm

### Surface Mount Package

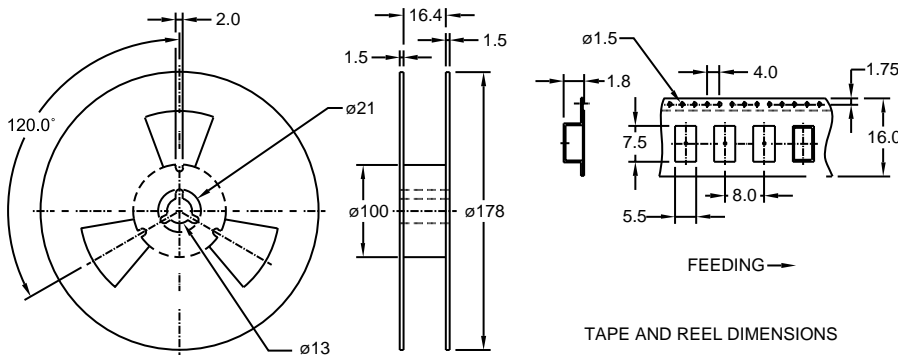
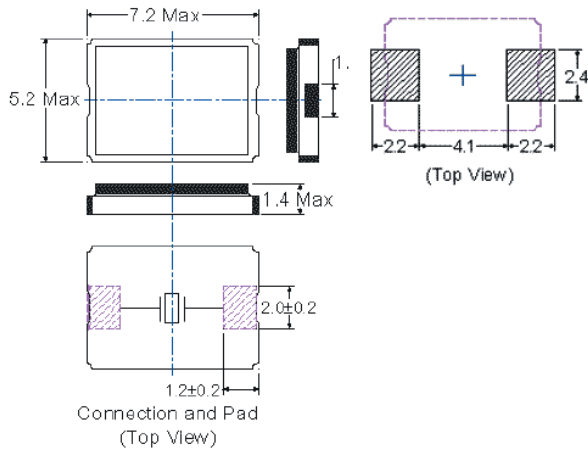
### Dimensions

#### 6J4

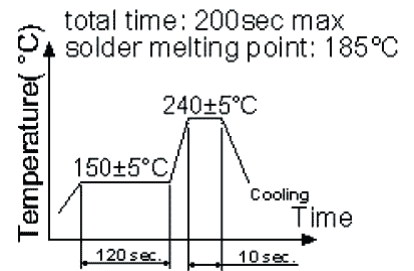
MARKING:



#### 6J2



TAPE AND REEL DIMENSIONS



### Ordering

HC6J 2-	16.000	- 16	- 30	- A
Series	Frequency in MHz	Load Capacitance (pf)	Frequency Tolerance in ppm	Operating Temperature Range
HC6J2 = 2 Pads	Please specify frequency required.	Options: 12,16,18,20,30, s (= series), or specify	±30ppm ( std )	A= -10 to 60°C (std ) B= -20 to 70°C C= -40 to 85°C
HC6J4 = 4 Pads				