



QUARTZ CRYSTAL - HC6I SERIES

Glass Sealed Ceramic 5 X 3.2mm

Surface Mount Package

FEATURES

- Ultra thin package
- Leadless type
- High precision characteristics
- Automatic mounting
- Embossed tapping specifications
- Suitable for solder reflow



ELECTRICAL SPECIFICATIONS

Nominal frequency	12.000MHz to 40MHz
Operating temperature	-10 to 60°C (Standard) <i>optional:</i> -20 to 70°C , -40 to 85°C
Storage temperature	-55 to 125°C
Frequency tolerance	±10ppm ~ ±50ppm
Frequency Stability over operating temperature range	±30ppm -10 to 60°C ±50ppm -20 to +70°C
Load Capacitance	16pF,20pF,30pF,32pF, Series, or specify
Equivalent series resistance (ESR)	See Table
Shunt capacitance(Co)	5pF Max
Drive Level	10µW~ 100µW
Aging @25°C 1st year (max)	±3ppm, ±5ppm/year

ESR and OPERATING MODE

Frequency Range MHz	E.S.R (Ω Max)	Mode
12.000~30.000	60	Fundamental AT
30.000~40.000	45	Fundamental AT

Mechanical Characteristics

Resistance to shock:	Drop test 3 times on 2mm stainless plate at 75cm height
----------------------	---



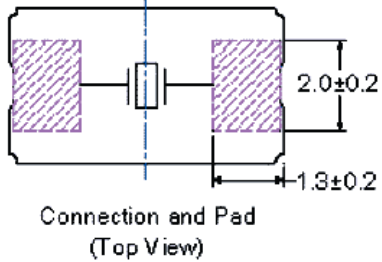
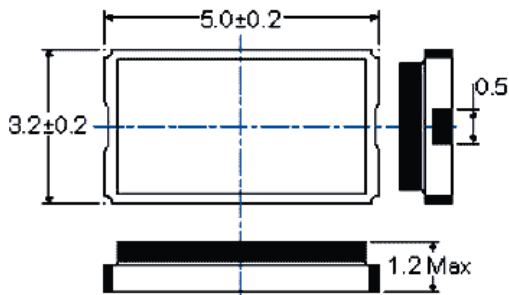

 Crest Technologies Pty Ltd
 46/41-49 Norcal Rd Nunawading 3131, Australia
 Tel: +61 3 9873 8830 Fax: +61 3 9873 8802
 Email: sales@cresttech.com.au
 Web: http://www.cresttech.com.au

QUARTZ CRYSTAL - HC6I SERIES

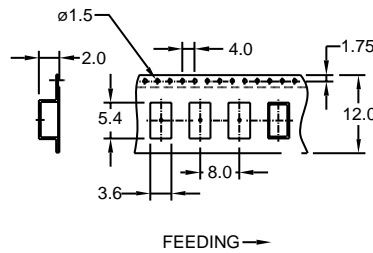
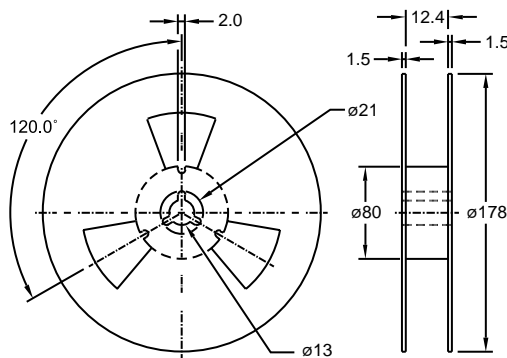
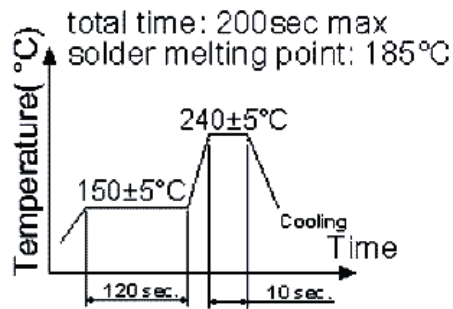
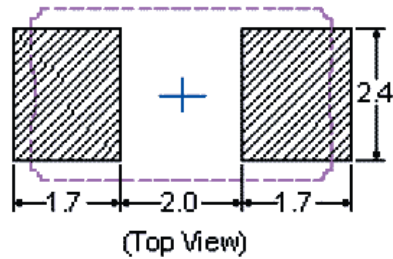
Glass Sealed Ceramic 5 X 3.2mm

Surface Mount Package

Dimensions



Reference Land Pattern



TAPE AND REEL DIMENSIONS

Ordering

HC6I -	16.000	- 16	- 30	- A
Series	Frequency in MHz	Load Capacitance (pf)	Frequency Tolerance in ppm	Operating Temperature Range
	Please specify frequency required.	Options: 12,16,18,20,30, s (= series), or specify	±30ppm (std)	A= -10 to 60°C (std) B= -20 to 70°C C= -40 to 85°C