



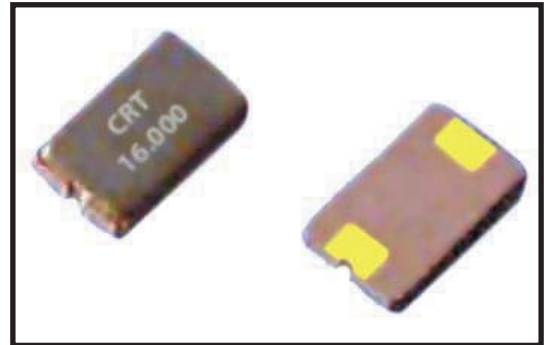
## QUARTZ CRYSTAL - HC6H SERIES

### Glass Sealed Ceramic 8 X 4.5mm

### Surface Mount Package

#### FEATURES

- Leadless type
- Rugged AT-cut crystal construction.
- Automatic mounting
- Suitable for solder reflow
- 1000pcs/reel



#### ELECTRICAL SPECIFICATIONS

Nominal frequency	8.000MHz to 80MHz
Operating temperature	-10 to 60°C ( Standard ) <i>optional:</i> -20 to 70°C , -40 to 85°C
Storage temperature	-55 to 125°C
Frequency tolerance	±10ppm ~ ±50ppm
Frequency Stability over operating temperature range	±30ppm -10 to 60°C ±50ppm -20 to +70°C
Load Capacitance	16pF,20pF,30pF,32pF ,Series, or specify
Equivalent series resistance (ESR)	See Table
Shunt capacitance(Co)	5pF Max
Drive Level	10μW
Aging @25°C 1st year (max)	±3ppm, ±5ppm/year

#### ESR and OPERATING MODE

Frequency Range MHz	E.S.R (Ω Max)	Mode
8.000~10.000	70	Fundamental AT
10.000~40.000	40	Fundamental AT
30.000~45.000	60	Third Overtone/AT
45.000~80.000	50	Third Overtone/AT

#### Mechanical Characteristics

Resistance to shock:	Drop test 3 times on 2mm stainless plate at 75cm height
----------------------	---

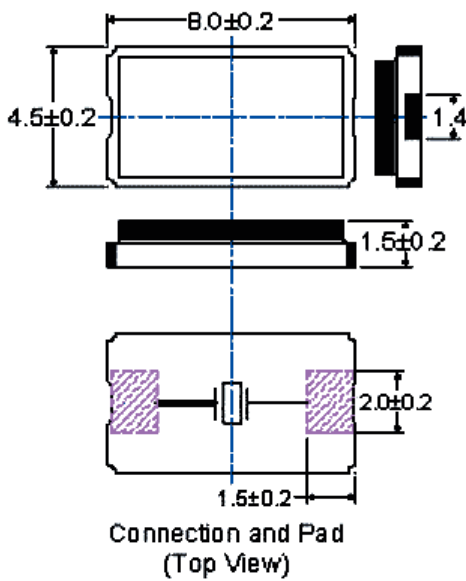


**crest** technologies  
 Crest Technologies Pty Ltd  
 46/41-49 Norcal Rd Nunawading 3131, Australia  
 Tel: +61 3 9873 8830 Fax: +61 3 9873 8802  
 Email: sales@cresttech.com.au  
 Web: http://www.cresttech.com.au

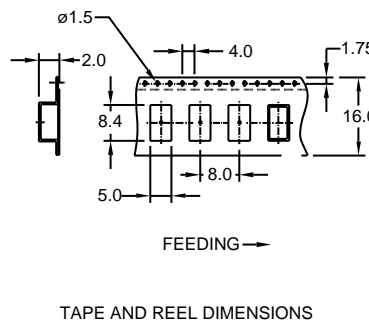
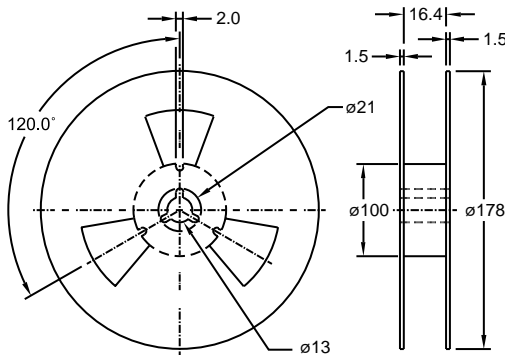
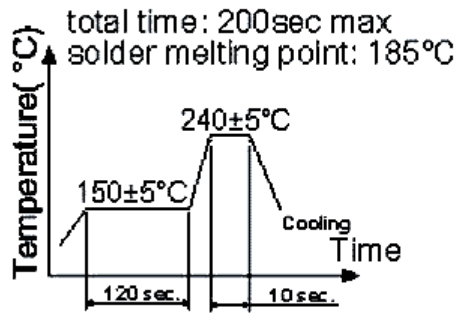
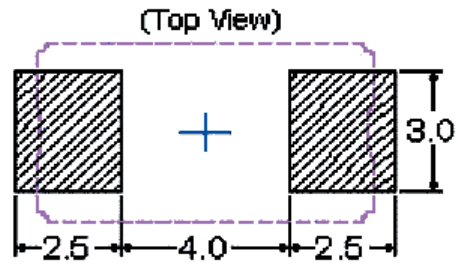
**QUARTZ CRYSTAL - HC6H SERIES**  
**Glass Sealed Ceramic 8 X 4.5mm**  
**Surface Mount Package**

**Dimensions**

**Dimensions (Unit: mm)**



**Reference Land pattern (Typical)**



**Ordering**

Series	Frequency in MHz	Load Capacitance (pf)	Frequency Tolerance in ppm	Operating Temperature Range
HC6H -	16.000	- 16	- 30	- A
	Please specify frequency required.	Options: 12,16,18,20,30, s (= series), or specify	±30ppm ( std )	A= -10 to 60°C ( std ) B= -20 to 70°C C= -40 to 85°C