



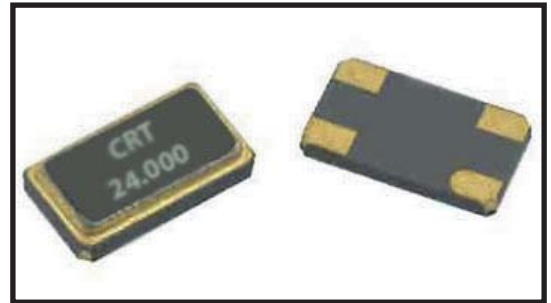
QUARTZ CRYSTAL - HC6G SERIES

Seam Sealed Ceramic 6 X 3.5mm

Surface Mount Package (SMD)

FEATURES

- Ultra thin, thickness 1.0mm
- Leadless type
- High precision characteristics covering up to high frequency range
- Automatic mounting
- Embossed tapping specifications
- Reflow soldering



ELECTRICAL SPECIFICATIONS

Nominal frequency	8.000MHz to 80MHz
Operating temperature	-10 to 60°C (Standard) <i>optional:</i> -20 to 70°C , -40 to 85°C
Storage temperature	-55 to 125°C
Frequency tolerance	±30ppm (std) <i>Other options available</i> ±10ppm, ±20ppm, or specify
Frequency Stability over operating temperature range	±30ppm -10 to 60°C ±50ppm -20 to +70°C
Load Capacitance	16pF,20pF,30pF, 32pF ,Series, or specify
Equivalent series resistance (ESR)	See Table
Shunt capacitance(Co)	5.0pF Max
Drive Level	10 μW-100μW
Aging @ 25°C 1st year (max)	±3ppm/year

ESR and OPERATING MODE

Frequency Range MHz	E.S.R (Ω Max)	Mode
6.000~10.000	70	Fundamental AT
10.000~40.000	40	Fundamental AT
30.000~45.000	60	Third Overtone/AT
45.000~ 80.000	50	Third Overtone/AT

Mechanical Characteristics

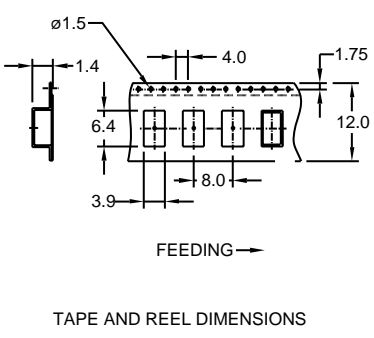
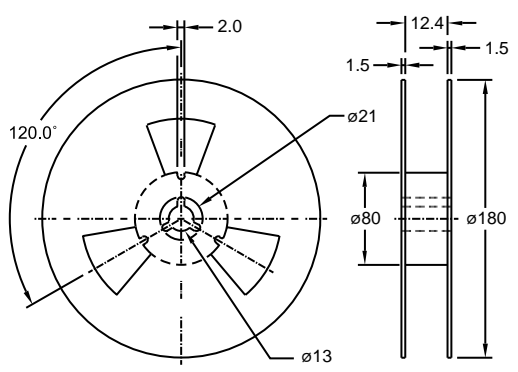
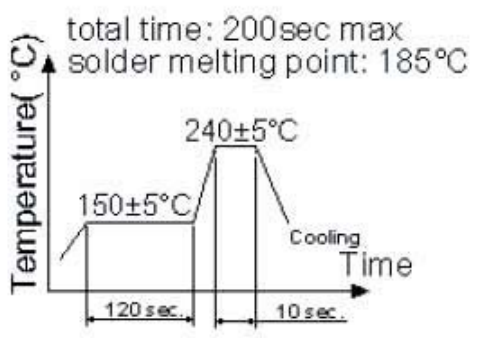
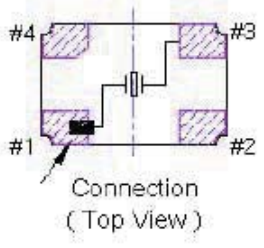
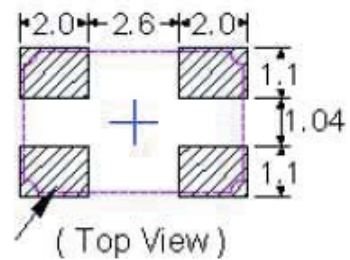
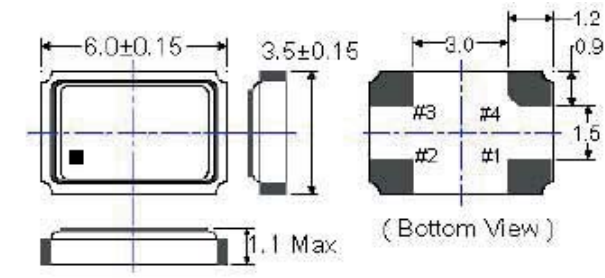
Resistance to shock:	Drop test 3 times on 2mm stainless plate at 75cm height
----------------------	---



crest technologies
 Crest Technologies Pty Ltd
 46/41-49 Norcal Rd Nunawading 3131, Australia
 Tel: +61 3 9873 8830 Fax: +61 3 9873 8802
 Email: sales@cresttech.com.au
 Web: http://www.cresttech.com.au

QUARTZ CRYSTAL - HC6G SERIES
Seam Sealed Ceramic 6 X 3.5mm
Surface Mount Package (SMD)

Dimensions



Ordering

Series	Frequency in MHz	Load Capacitance (pf)	Frequency Tolerance in ppm	Operating Temperature Range
HC6G -	16.000	- 16	- 30	- A
	Please specify frequency required.	Options: 12,16,18,20,30, s (= series), or specify	±30ppm (std)	A= -10 to 60°C (std) B= -20 to 70°C C= -40 to 85°C