

Mini-Fit Connection System

6657TP/6657TR Series Terminals

- * Material : Brass or Phosphor bronze
- * Current rating : 5A, AC/DC
- * Voltage rating : 250V, AC/DC
- * Used in H6657R1, H6657P series housings

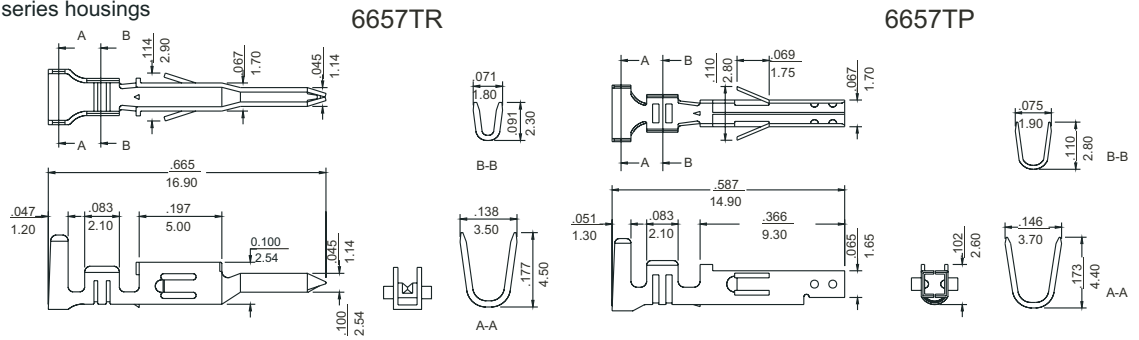
inch
mm



E118260



LR82315



Part No	Wire Range	Insulation O.D.(mm)	Material	Package
6657TP-1	AWG#24-#18	1.3-3.1	Tin-Plated brass	5000PCS/REEL
6657TP-1A	AWG#24-#18	1.3-3.1	Tin-Plated phosphor bronze	5000PCS/REEL
6657TP-2	AWG#26-#22	0.9-1.8	Tin-Plated brass	5000PCS/REEL
6657TP-2A	AWG#26-#22	0.9-1.8	Tin-Plated Phosphor bronze	5000PCS/REEL
6657TP-3	AWG#16	1.8-3.1	Tin-Plated Brass	5000PCS/REEL
66567TP-3A	AWG#16	1.8-3.1	Tin-Plated Phosphor bronze	5000PCS/REEL
6657TR-1	AWG#24-#18	1.3-3.1	Tin-Plated Brass	5000PCS/REEL
6657TR-2	AWG#26-#22	0.9-1.8	Tin-Plated Brass	5000PCS/REEL

H6657R1 Series Receptacle Housings

- * Material : Nylon UL 94V-0 or UL 94V-2
- * Current rating : 5A, AC/DC
- * Voltage rating : 250V, AC/DC
- * Color : Natural
- * Accepts 6657TP terminal
- * Mates with H6657P series plug housings or P6657L, P6657L series headers
- * Dual row , 2-24 circuits available

inch
mm

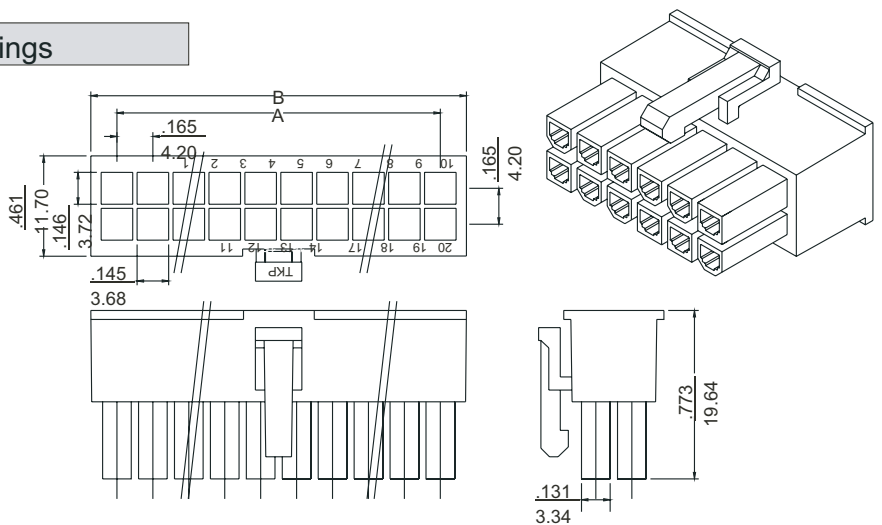


E118260



LR82315

Dimensional information - inch/mm

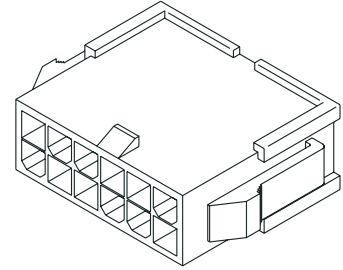


Circuits	Dim. A		Dim. B		Circuits	Dim. A		Dim. B	
	inch	mm	inch	mm		inch	mm	inch	mm
2			0.228	5.80	14	0.992	25.20	1.220	31.00
4	0.165	4.20	0.394	10.00	16	1.157	29.40	1.386	35.20
6	0.331	8.40	0.559	14.20	18	1.323	33.60	1.551	39.40
8	0.496	12.60	0.724	18.40	20	1.488	37.80	1.717	43.60
10	0.661	16.80	0.890	22.60	22	1.654	42.00	1.882	47.80
12	0.827	21.00	1.055	26.80	24	1.819	46.20	2.047	52.00

Mini-Fit Connection System

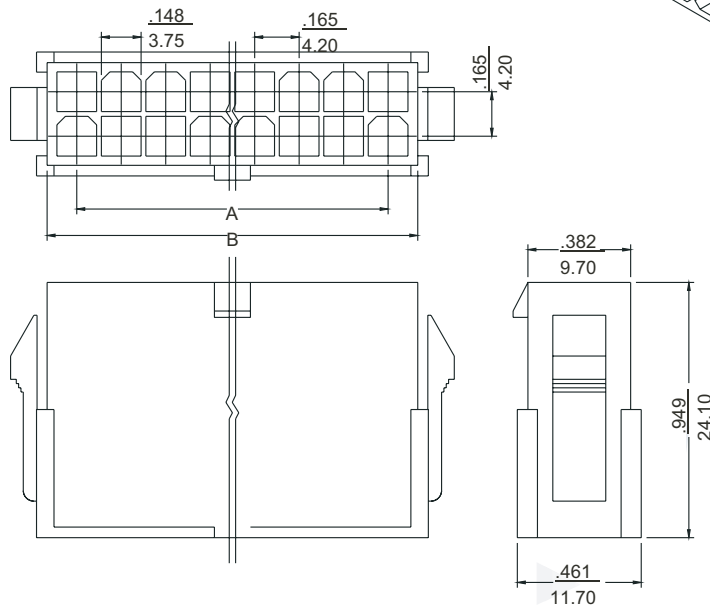
H6657P Series Plug Housings

- * Material : Nylon UL 94V-0 or UL 94V-2
- * Current rating : 5A, AC/DC
- * Voltage rating : 250V, AC/DC
- * Color : Natural
- * With Mtg. Ears (H6657P)
- W/O Mtg. Ears (H6657P1)
- * Accepts 6657TR terminal
- * Mates with H6657R1 series receptacle housings
- * Dual row , 2-24 circuits available

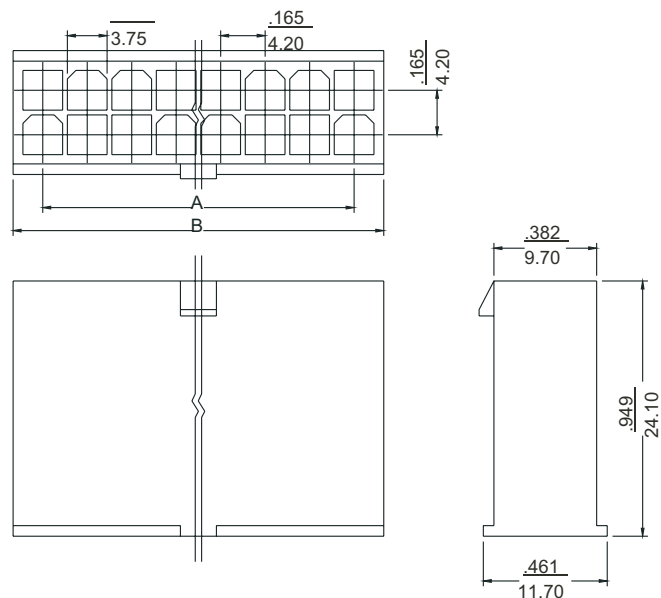


inch
mm

H6657P



H6657P1



Dimensional information - inch/mm

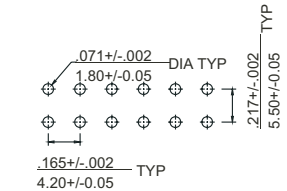
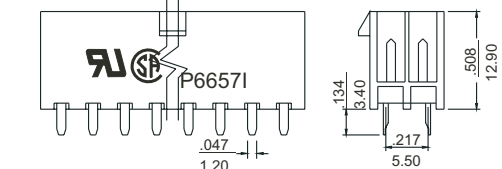
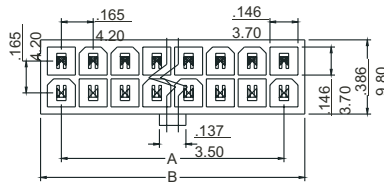
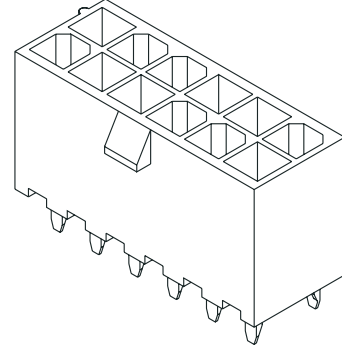
Circuits	Dim. A		Dim. B		Circuits	Dim. A		Dim. B	
	inch	mm	inch	mm		inch	mm	inch	mm
2			0.228	5.80	14	0.992	25.20	1.220	31.00
4	0.165	4.20	0.394	10.00	16	1.157	29.40	1.386	35.20
6	0.331	8.40	0.559	14.20	18	1.323	33.60	1.551	39.40
8	0.496	12.60	0.724	18.40	20	1.488	37.80	1.717	43.60
10	0.661	16.80	0.890	22.60	22	1.654	42.00	1.882	47.80
12	0.827	21.00	1.055	26.80	24	1.819	46.20	2.047	52.00



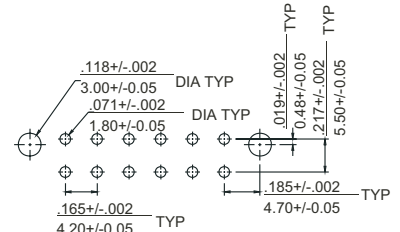
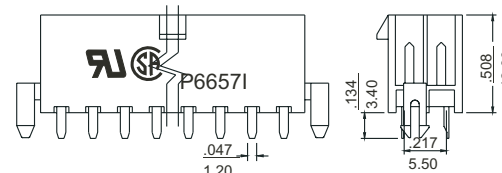
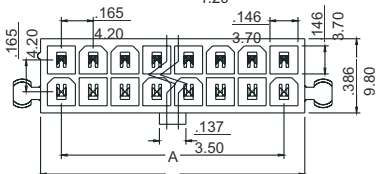
Mini-Fit Connection System

P6657I Series Vertical Headers

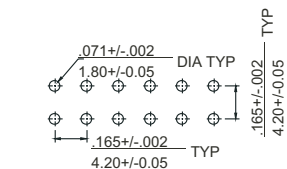
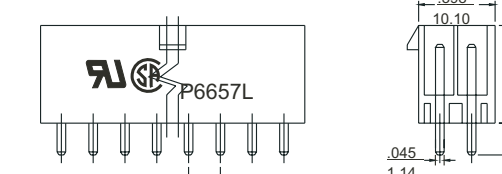
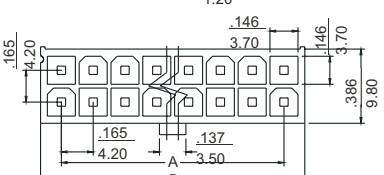
- * Material : Nylon UL 94V-0 or UL 94V-2
- * Current rating : 5A, AC/DC
- * Voltage rating : 250V, AC/DC
- * Color : Natural
- * Positive housing locks
- * Split pins with pegs (P6657I-xxA) or w/o pegs (P6657I-xx)
- * Square solid pins (P6657I-xxF) or Square solid & Kinked pins (P6657I-XXFK)
- * Mates with H6657R1 receptacle housings
- * Dual row , 2-24 circuits available



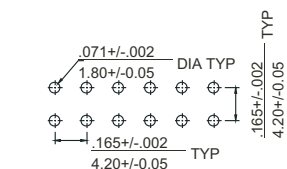
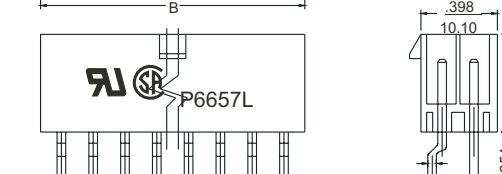
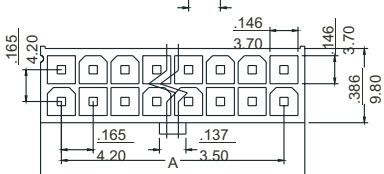
RECOMMENDED PCB LAYOUT



RECOMMENDED PCB LAYOUT



RECOMMENDED PCB LAYOUT



RECOMMENDED PCB LAYOUT

inch
mm

P6657I-XX



E118260



LR82315

P6657I-XXA

P6657I-XXF

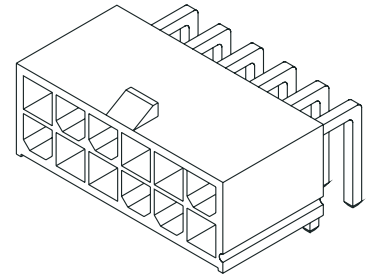
P6657I-XXFK

Mini-Fit Connection System

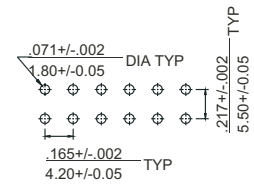
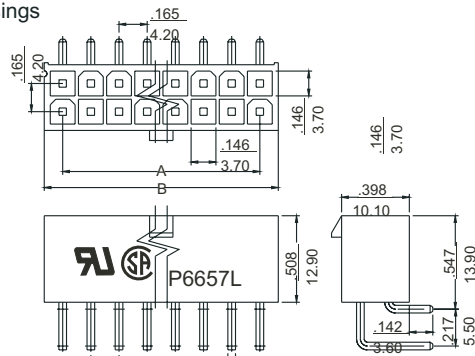
P6657L Series Right Angle Headers

- * Material : Nylon UL 94V-0 or UL 94V-2
- * Current rating : 5A, AC/DC
- * Voltage rating : 250V, AC/DC
- * Contact : 1.14mm Tin-plated copper alloy square pins
- * Color : Natural
- * Positive housing locks
- * W/O flange & peg (P6657L)
 with flanges & pegs (P6657L-XXA)
 with flanges (P6657L-XXB), with peg (6657L-XXC)
- * Mates with H6657R1 series receptacle housings
- * Dual row , 2-24 circuits available

inch
mm

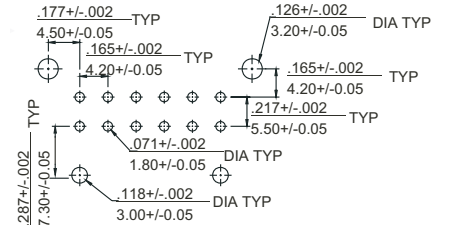
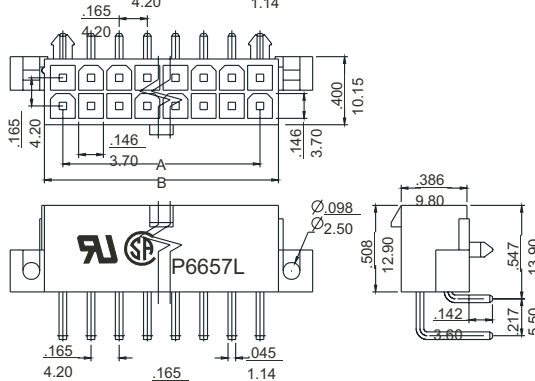


P6657L-XX



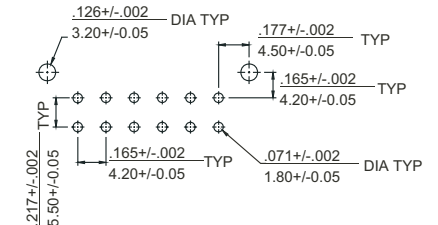
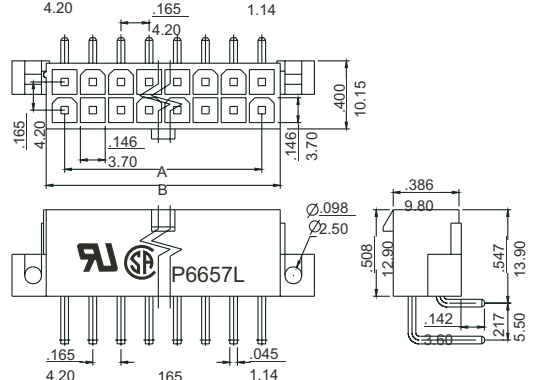
RECOMMENDED PCB LAYOUT

P6657L-XXA



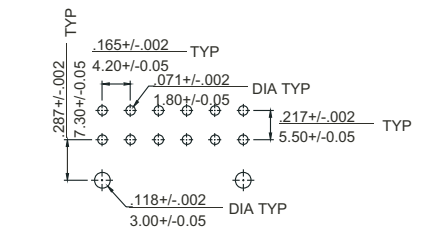
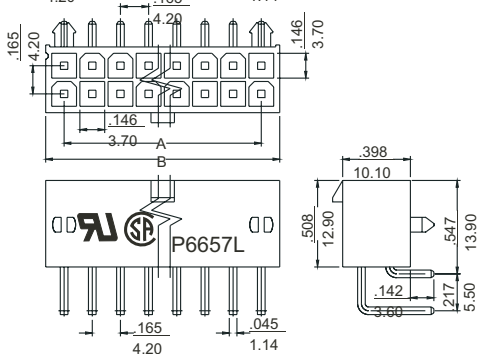
RECOMMENDED PCB LAYOUT

P6657L-XXB



RECOMMENDED PCB LAYOUT

P6657L-XXC



RECOMMENDED PCB LAYOUT