

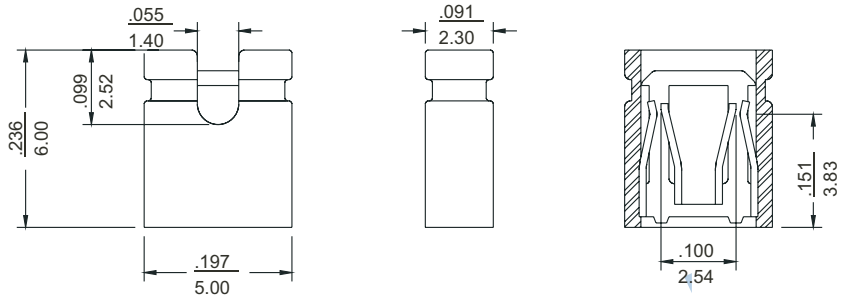
2.54mm pitch Mini Jumper

H8990 Series

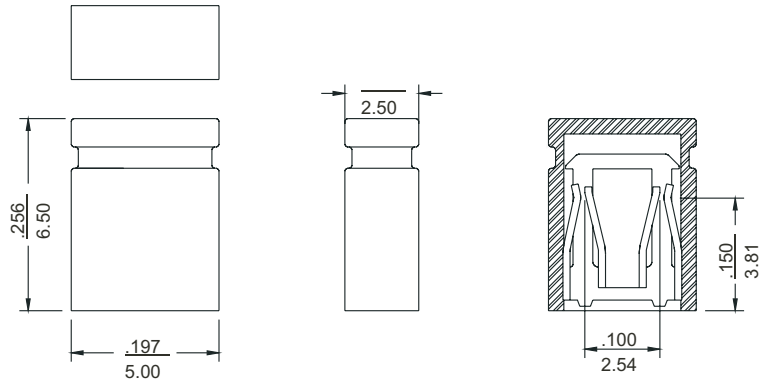
- * Material :30% Glass filled PBT, UL 94V-0
- * contact : Brass
- * Finish: Tin or Gold over Nickel
- * Current rating : 3A AC/DC
- * Voltage rating : 250V AC/DC
- * Mates with BH1, BH2 headers

inch
mm

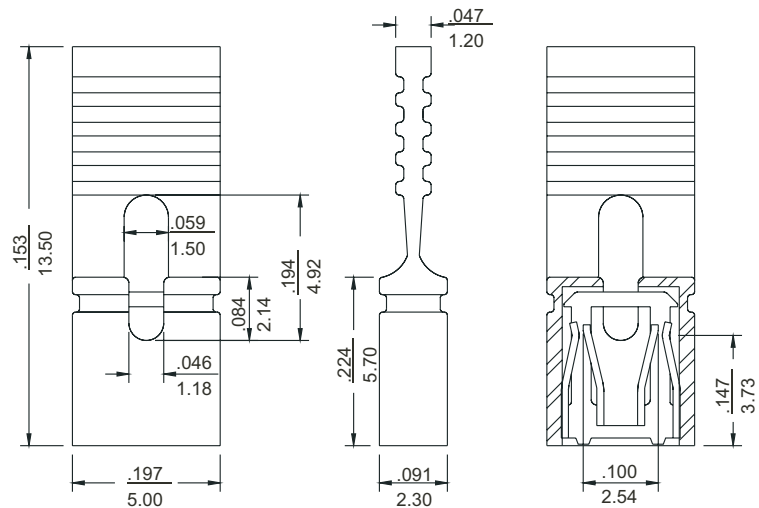
H8990-6O



H8990-6C



H8990-135

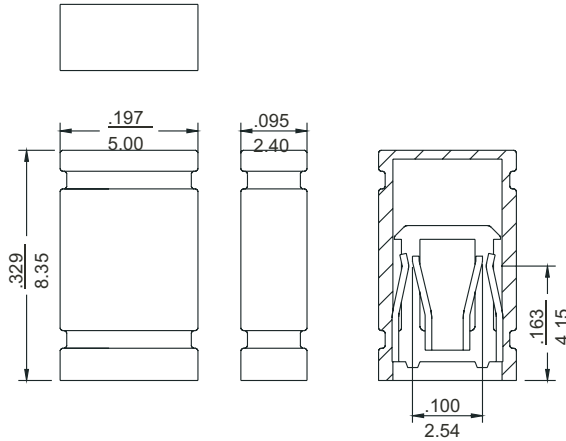


2.54mm pitch Mini Jumper

H8990 Series

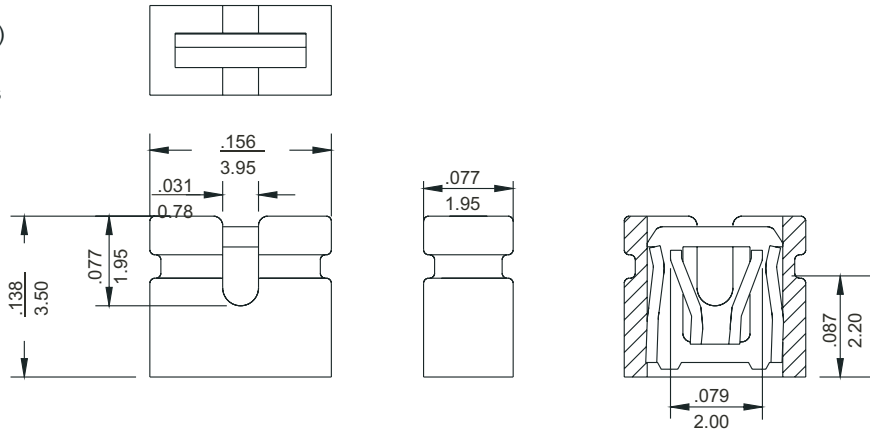
inch
mm

H8990-8C



- * Open (8990-35O) & close (8990-35C) type available
- * Mates with 2.0 mm grid male headers

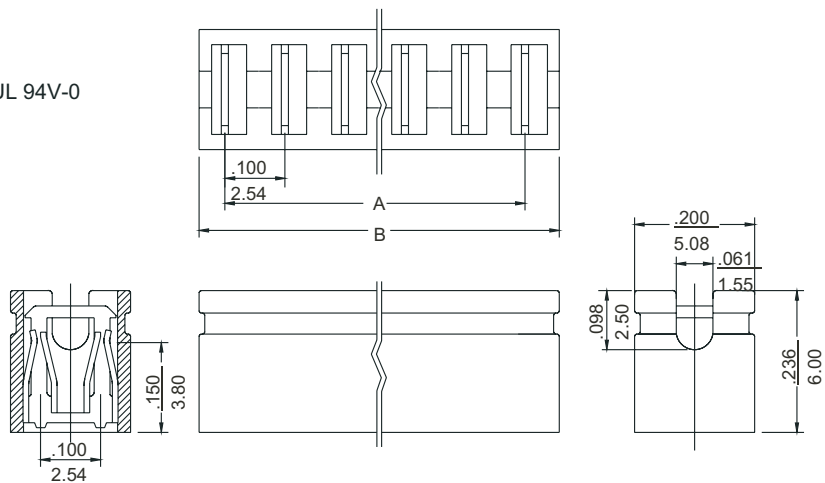
H8990-35



H8990-66O Series

- * Material :30% Glass filled PBT, UL 94V-0
- * Contact : Brass
- * Finish: Tin or Gold over Nickel
- * Current rating : 3A AC/DC
- * Voltage rating : 250V AC/DC
- * Mates with BH1, BH2 headers
- * 2-10 circuits available

inch
mm



Dimensional information - inch/mm

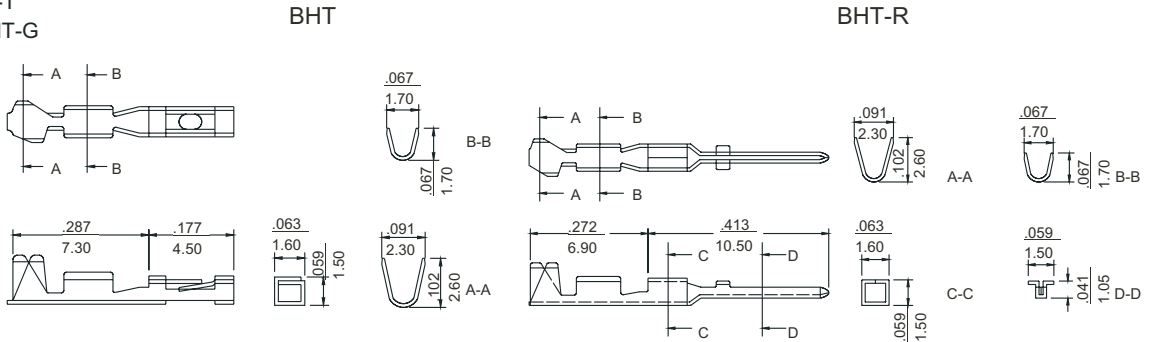
Circuits	Dim. A		Dim. B		Circuits	Dim. A		Dim. B	
	inch	mm	inch	mm		inch	mm	inch	mm
2	0.100	2.54	0.200	5.08	7	0.600	15.24	0.700	17.78
3	0.200	5.08	0.300	7.62	8	0.700	17.78	0.800	20.32
4	0.300	7.62	0.400	10.16	9	0.800	20.32	0.900	22.86
5	0.400	10.16	0.500	12.70	10	0.900	22.86	1.000	25.40
6	0.500	12.70	0.600	15.24					

.100" (2.54mm) Crimp Terminal Housing

BHT/ BHT-R Series Crimp Terminals

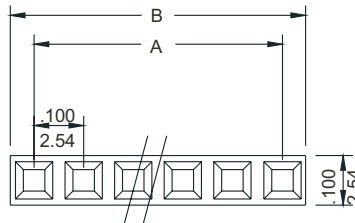
- * Material : Brass
- * Current rating : 1A AC/DC
- * Voltage rating : 125V AC/DC
- * Applicable wire AWG #28-#22
- * Used in BH1 BH2 series housings
- * Finish : Tin-Plated BHT-T
 Gold-Flash BHT-G

* BHT : Female terminal
 BHT-R : Male terminal
 inch
 mm

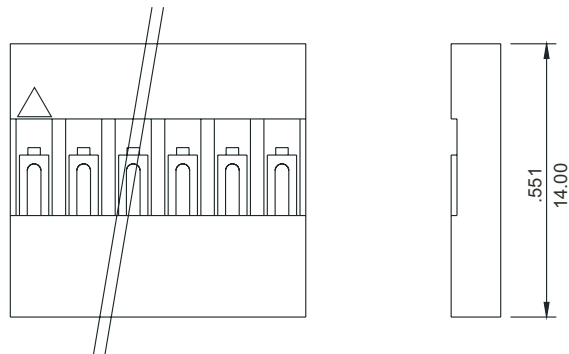


BH1 Series Single Row Crimp Terminal Housings

- * Material : Nylon UL 94V-0
- * Current rating : 1A, AC/DC
- * Voltage rating : 125V, AC/DC
- * Standard color: black
- * Accepts BHT, BHT-R terminal
- * Mates with BH1I, BH1L series headers
- * 1-40 circuits available



inch
 mm



Dimensional information - inch/mm

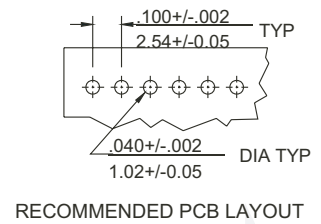
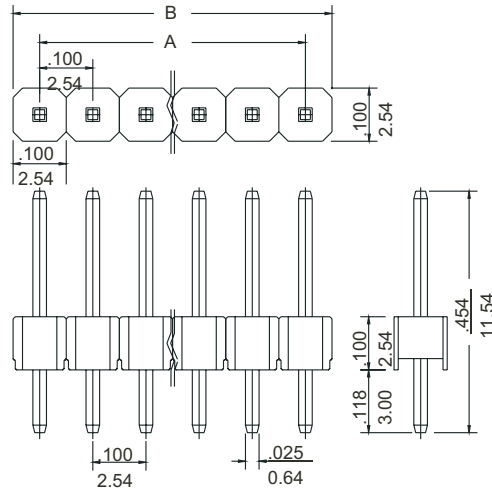
Circuits	Dim. A		Dim. B		Circuits	Dim. A		Dim. B		Circuits	Dim. A		Dim. B	
	inch	mm	inch	mm		inch	mm	inch	mm		inch	mm	inch	mm
1			0.100	2.54	15	1.400	35.56	1.500	38.10	29	2.800	71.12	2.900	73.66
2	0.100	2.54	0.200	5.08	16	1.500	38.10	1.600	40.64	30	2.900	73.66	3.000	76.20
3	0.200	5.08	0.300	7.62	17	1.600	40.64	1.700	43.18	31	3.000	76.20	3.100	78.74
4	0.300	7.62	0.400	10.16	18	1.700	43.18	1.800	45.72	32	3.100	78.74	3.200	81.28
5	0.400	10.16	0.500	12.70	19	1.800	45.72	1.900	48.26	33	3.200	81.28	3.300	83.82
6	0.500	12.70	0.600	15.24	20	1.900	48.26	2.000	50.80	34	3.300	83.82	3.400	86.36
7	0.600	15.24	0.700	17.78	21	2.000	50.80	2.100	53.34	35	3.400	86.36	3.500	88.90
8	0.700	17.78	0.800	20.32	22	2.100	53.34	2.200	55.88	36	3.500	88.90	3.600	91.44
9	0.800	20.32	0.900	22.86	23	2.200	55.88	2.300	58.42	37	3.600	91.44	3.700	93.98
10	0.900	22.86	1.000	25.40	24	2.300	58.42	2.400	60.96	38	3.700	93.98	3.800	96.52
11	1.000	25.40	1.100	27.94	25	2.400	60.96	2.500	63.50	39	3.800	96.52	3.900	99.06
12	1.100	27.94	1.200	30.48	26	2.500	63.50	2.600	66.04	40	3.900	99.06	4.000	101.60
13	1.200	30.48	1.300	33.02	27	2.600	66.04	2.700	68.58					
14	1.300	33.02	1.400	35.56	28	2.700	68.58	2.800	71.12					

.100" (2.54mm) Center Header

BH1I Series Single Row Straight Flat Headers

- * Material : Nylon UL 94V-0
- * Contact : Phosphor bronze
- * Current rating : 1A AC/DC
- * Voltage rating : 125V AC/DC
- * .025" (0.64mm) straight square pins
- * Various pin length available
- * Mates with BH1 series housings
- * 1-40 circuits available

inch
mm



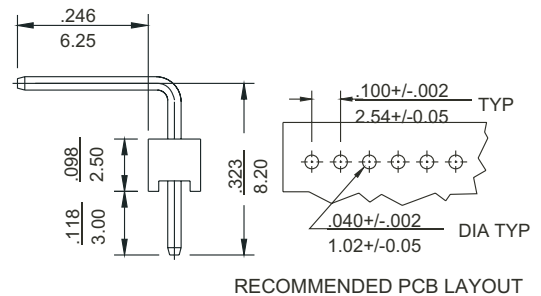
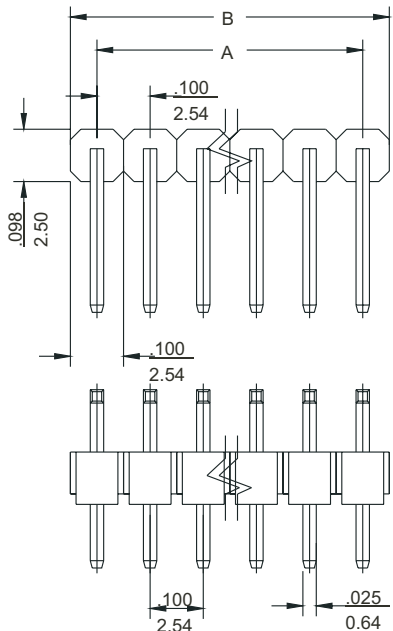
Dimensional information - inch/mm (BH1I/BH1L)

Circuits	Dim. A		Dim. B		Circuits	Dim. A		Dim. B		Circuits	Dim. A		Dim. B	
	inch	mm	inch	mm		inch	mm	inch	mm		inch	mm	inch	mm
1			0.100	2.54	15	1.400	35.56	1.500	38.10	29	2.800	71.12	2.900	73.66
2	0.100	2.54	0.200	5.08	16	1.500	38.10	1.600	40.64	30	2.900	73.66	3.000	76.20
3	0.200	5.08	0.300	7.62	17	1.600	40.64	1.700	43.18	31	3.000	76.20	3.100	78.74
4	0.300	7.62	0.400	10.16	18	1.700	43.18	1.800	45.72	32	3.100	78.74	3.200	81.28
5	0.400	10.16	0.500	12.70	19	1.800	45.72	1.900	48.26	33	3.200	81.28	3.300	83.82
6	0.500	12.70	0.600	15.24	20	1.900	48.26	2.000	50.80	34	3.300	83.82	3.400	86.36
7	0.600	15.24	0.700	17.78	21	2.000	50.80	2.100	53.34	35	3.400	86.36	3.500	88.90
8	0.700	17.78	0.800	20.32	22	2.100	53.34	2.200	55.88	36	3.500	88.90	3.600	91.44
9	0.800	20.32	0.900	22.86	23	2.200	55.88	2.300	58.42	37	3.600	91.44	3.700	93.98
10	0.900	22.86	1.000	25.40	24	2.300	58.42	2.400	60.96	38	3.700	93.98	3.800	96.52
11	1.000	25.40	1.100	27.94	25	2.400	60.96	2.500	63.50	39	3.800	96.52	3.900	99.06
12	1.100	27.94	1.200	30.48	26	2.500	63.50	2.600	66.04	40	3.900	99.06	4.000	101.60
13	1.200	30.48	1.300	33.02	27	2.600	66.04	2.700	68.58					
14	1.300	33.02	1.400	35.56	28	2.700	68.58	2.800	71.12					

BH1L Series Single Row Right Angle Flat Headers

- * Material : Nylon UL 94V-0
- * Contact : Phosphor bronze
- * Current rating : 1A AC/DC
- * Voltage rating : 125V AC/DC
- * .025" (0.64mm) right angle square pins
- * Various pin length available
- * Mates with BH1 series housings
- * 1-40 circuits available

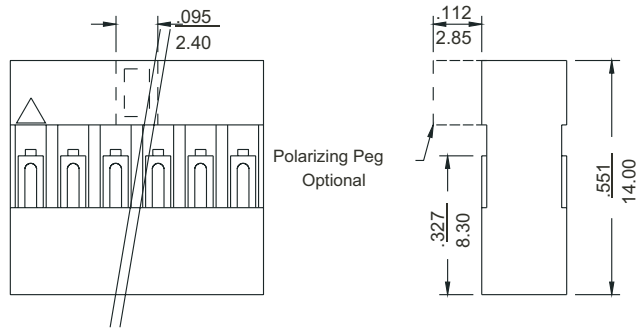
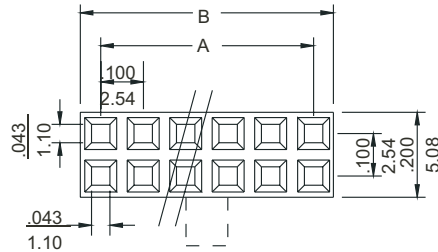
inch
mm



.100" (2.54mm) Crimp Terminal Housing

BH2 Series Dual Row Crimp Terminal Housings

- * Material : Nylon UL 94V-0
- * Current rating : 1A AC/DC
- * Voltage rating : 125V AC/DC
- * Standard color: Black
- * With Peg (BH2 - PEG)
- W/O Peg (BH2)
- * Accepts BHT, BHT-R terminal
- * Mates with BH2I, BH2L series headers
- * 4-80 circuits available



inch
mm

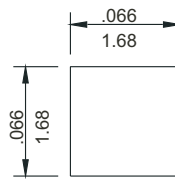


Dimensional information - inch/mm

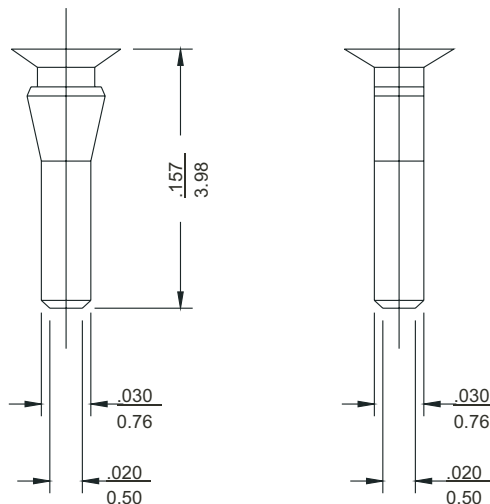
Circuits	Dim. A		Dim. B		Circuits	Dim. A		Dim. B		Circuits	Dim. A		Dim. B	
	inch	mm	inch	mm		inch	mm	inch	mm		inch	mm	inch	mm
4	0.100	2.54	0.200	5.08	30	1.400	35.56	1.500	38.10	56	2.700	68.58	2.800	71.12
6	0.200	5.08	0.300	7.62	32	1.500	38.10	1.600	40.64	58	2.800	71.12	2.900	73.66
8	0.300	7.62	0.400	10.16	34	1.600	40.64	1.700	43.18	60	2.900	73.66	3.000	76.20
10	0.400	10.16	0.500	12.70	36	1.700	43.18	1.800	45.72	62	3.000	76.20	3.100	78.74
12	0.500	12.70	0.600	15.24	38	1.800	45.72	1.900	48.26	64	3.100	78.74	3.200	81.28
14	0.600	15.24	0.700	17.78	40	1.900	48.26	2.000	50.80	66	3.200	81.28	3.300	83.82
16	0.700	17.78	0.800	20.32	42	2.000	50.80	2.100	53.34	68	3.300	83.82	3.400	86.36
18	0.800	20.32	0.900	22.86	44	2.100	53.34	2.200	55.88	70	3.400	86.36	3.500	88.90
20	0.900	22.86	1.000	25.40	46	2.200	55.88	2.300	58.42	72	3.500	88.90	3.600	91.44
22	1.000	25.40	1.100	27.94	48	2.300	58.42	2.400	60.96	74	3.600	91.44	3.700	93.98
24	1.100	27.94	1.200	30.48	50	2.400	60.96	2.500	63.50	76	3.700	93.98	3.800	96.52
26	1.200	30.48	1.300	33.02	52	2.500	63.50	2.600	66.04	78	3.800	96.52	3.900	99.06
28	1.300	33.02	1.400	35.56	54	2.600	66.04	2.700	68.58	80	3.900	99.06	4.000	101.60

BHKEY Polarizing Key

- * Material : PBT UL 94V-0
- * Color : White or Black
- * Plug into pitch 2.54mm housing
- * Push key until key top is flush with housing front surface



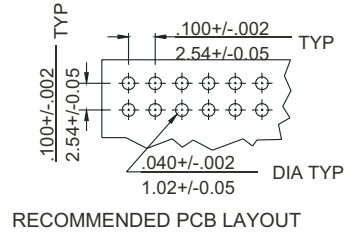
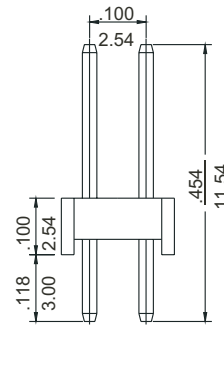
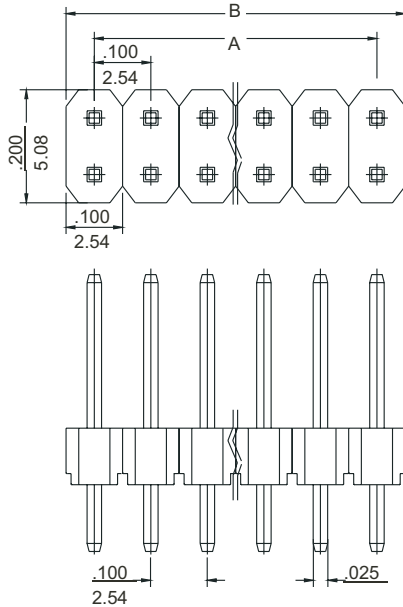
inch
mm



.100" (2.54mm) Center Header

BH2I Series Dual Row Straight Pin Headers

- * Material : Nylon UL 94V-0
- * Contact : Phosphor bronze
- * Current rating : 1A AC/DC
- * Voltage rating : 125V AC/DC
- * .025" (0.64mm) straight square pins
- * Various pin length available
- * Mates with BH2 series housings
- * 4-80 circuits available



inch
mm



E118260



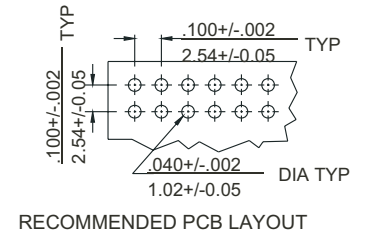
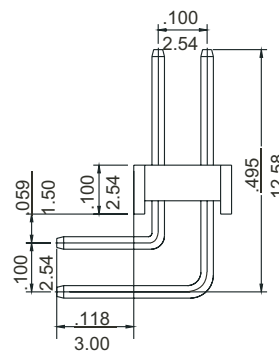
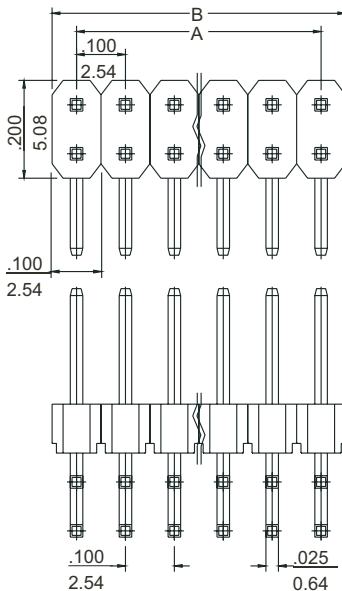
LR82315

Dimensional information - inch/mm (BH2I/BH2L)

Circuits	Dim. A		Dim. B		Circuits	Dim. A		Dim. B		Circuits	Dim. A		Dim. B	
	inch	mm	inch	mm		inch	mm	inch	mm		inch	mm	inch	mm
4	0.100	2.54	0.200	5.08	30	1.400	35.56	1.500	38.10	56	2.700	68.58	2.800	71.12
6	0.200	5.08	0.300	7.62	32	1.500	38.10	1.600	40.64	58	2.800	71.12	2.900	73.66
8	0.300	7.62	0.400	10.16	34	1.600	40.64	1.700	43.18	60	2.900	73.66	3.000	76.20
10	0.400	10.16	0.500	12.70	36	1.700	43.18	1.800	45.72	62	3.000	76.20	3.100	78.74
12	0.500	12.70	0.600	15.24	38	1.800	45.72	1.900	48.26	64	3.100	78.74	3.200	81.28
14	0.600	15.24	0.700	17.78	40	1.900	48.26	2.000	50.80	66	3.200	81.28	3.300	83.82
16	0.700	17.78	0.800	20.32	42	2.000	50.80	2.100	53.34	68	3.300	83.82	3.400	86.36
18	0.800	20.32	0.900	22.86	44	2.100	53.34	2.200	55.88	70	3.400	86.36	3.500	88.90
20	0.900	22.86	1.000	25.40	46	2.200	55.88	2.300	58.42	72	3.500	88.90	3.600	91.44
22	1.000	25.40	1.100	27.94	48	2.300	58.42	2.400	60.96	74	3.600	91.44	3.700	93.98
24	1.100	27.94	1.200	30.48	50	2.400	60.96	2.500	63.50	76	3.700	93.98	3.800	96.52
26	1.200	30.48	1.300	33.02	52	2.500	63.50	2.600	66.04	78	3.800	96.52	3.900	99.06
28	1.300	33.02	1.400	35.56	54	2.600	66.04	2.700	68.58	80	3.900	99.06	4.000	101.60

BH2L Series Dual Row right Angle Pin Headers

- * Material : Nylon UL 94V-0
- * Contact : Phosphor bronze
- * Current rating : 1A AC/DC
- * Voltage rating : 125V AC/DC
- * .025" (0.64mm) right angle square pins
- * Various pin length available
- * Mates with BH2 series housings
- * 4-80 circuits available



inch
mm



E118260

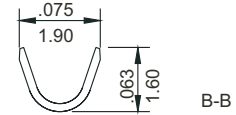
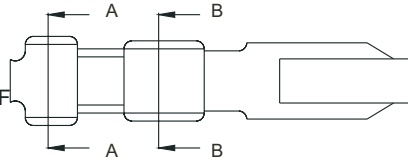


LR82315

.100" (2.54mm) Center Crimp Terminal Housing

8810T Crimp Terminal

- * Material : Brass or Phosphor bronze
- * Current rating : 2A, AC/DC
- * Voltage rating : 250V, AC/DC
- * Applicable wire AWG #28- #22
- * Used in 8811,2510,2510A,2510B,2510F series housings



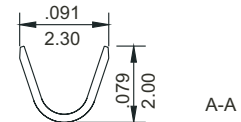
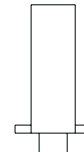
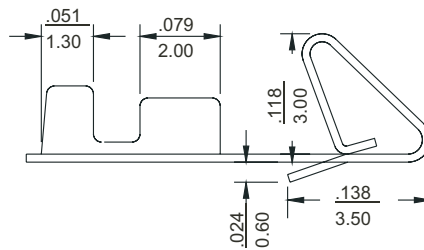
inch
mm



E118260

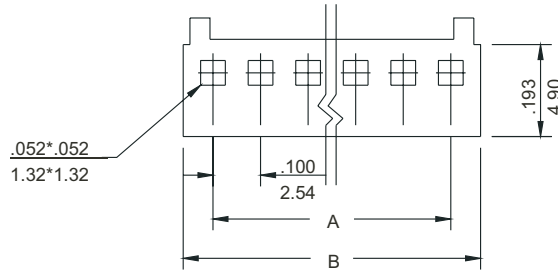


LR82315



2510 Series Housings

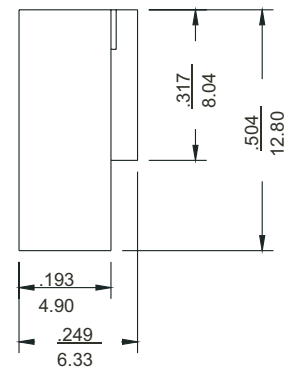
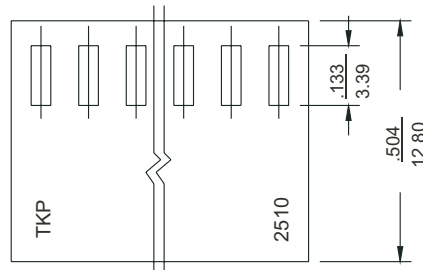
- * Material : Nylon UL 94V-2
- * Current rating : 2A, AC/DC
- * Voltage rating : 250V, AC/DC
- * Standard color: white
- * Molded friction lock
- * Optional polarization or locking ramp
- * Accepts 8810T terminal
- * Mates with P2510I, P2510L, P2510AI, P2510AL P825422I, P825422L series headers
- * 2-20 circuits available



inch
mm



E118260



Dimensional information - inch/mm (2510/2510A/2510B)

Circuits	Dim. A		Dim. B		Circuits	Dim. A		Dim. B		Circuits	Dim. A		Dim. B	
	inch	mm	inch	mm		inch	mm	inch	mm		inch	mm	inch	mm
2	0.100	2.54	0.226	5.74	9	0.800	20.32	0.926	23.52	16	1.500	38.10	1.626	41.30
3	0.200	5.08	0.326	8.28	10	0.900	22.86	1.026	26.06	17	1.600	40.64	1.726	43.84
4	0.300	7.62	0.426	10.82	11	1.000	25.40	1.126	28.60	18	1.700	43.18	1.826	46.38
5	0.400	10.16	0.526	13.36	12	1.100	27.94	1.226	31.14	19	1.800	45.72	1.926	48.92
6	0.500	12.70	0.626	15.90	13	1.200	30.48	1.326	33.68	20	1.900	48.26	2.026	51.46
7	0.600	15.24	0.726	18.44	14	1.300	33.02	1.426	36.22					
8	0.700	17.78	0.826	20.98	15	1.400	35.56	1.526	38.76					

.100" (2.54mm) Center Crimp Terminal Housing

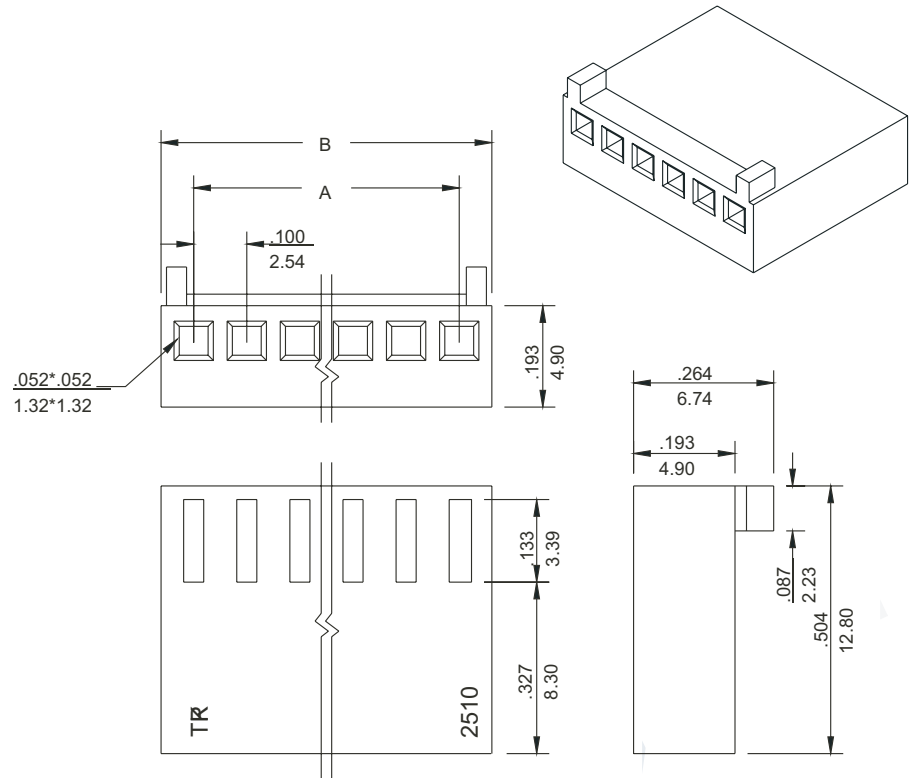
2510A Series Housings

- * Material : Nylon UL 94V-2
- * Current rating : 2A, AC/DC
- * Voltage rating : 250V, AC/DC
- * Standard color: Red
- * With molded friction lock and locking ramp
- * Accepts 8810T terminal
- * Mates with P2510J P2510L, P2510AJ P2510AL, P825422J P825422L series headers
- * 2-20 circuits available

inch
mm



E118260



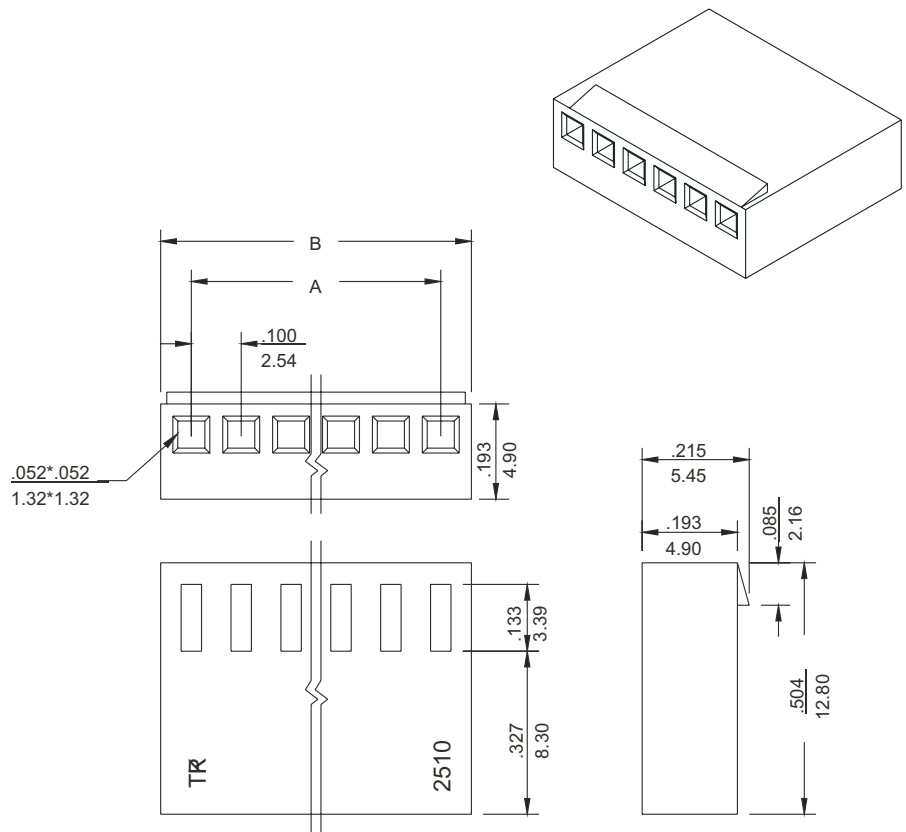
2510B Series Housings

- * Material : Nylon UL 94V-2
- * Current rating : 2A, AC/DC
- * Voltage rating : 250V, AC/DC
- * Standard color: Red
- * With locking ramp
- * Accepts 8810T terminal
- * Mates with P2510J P2510L, P2510AJ P2510AL, P825422J P825422L series headers
- * 2-20 circuits available

inch
mm



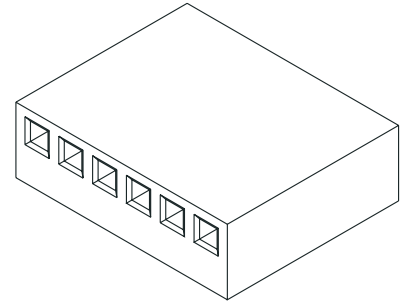
E118260



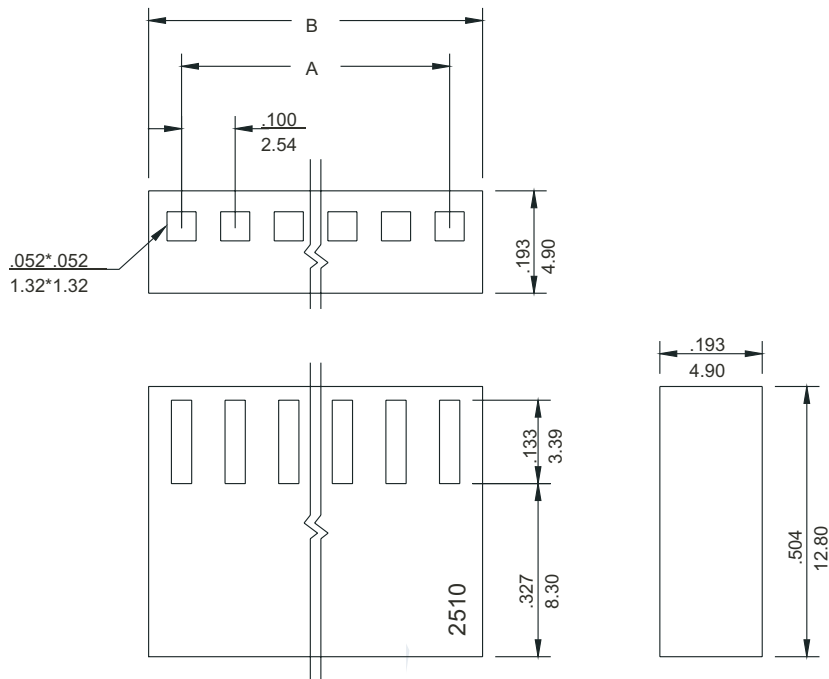
.100" (2.54mm) Center Crimp Terminal Header

2510F Series Housings

- * Material : Nylon UL 94V-2
- * Current rating : 2A, AC/DC
- * Voltage rating : 250V, AC-DC
- * Standard Color : Red
- * Accepts 8810T terminal
- * Mates with P2510I, P2510L, P2510AI, P2510AL, P825422I, P825422L series headers
- * 2-20 circuits available



inch
mm

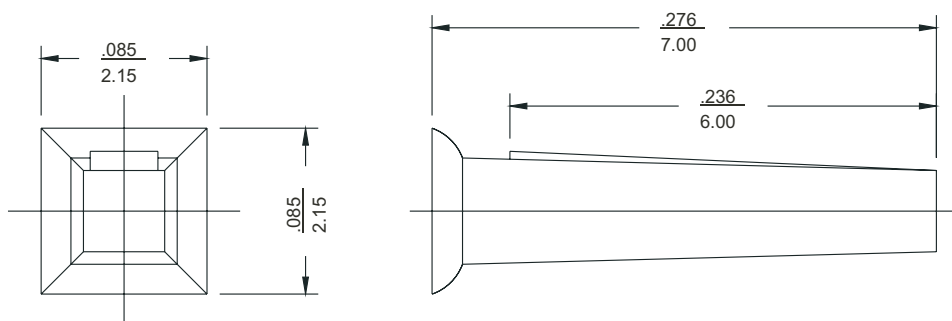


E118260

2510KEY Series Polarizing Key

- * Material : Nylon UL 94V-0
- * Color : White
- * Plug into pitch 2.54mm housings
- * Push key until key top is flush with housing front surface

inch
mm



.100" (2.54mm) Center Header

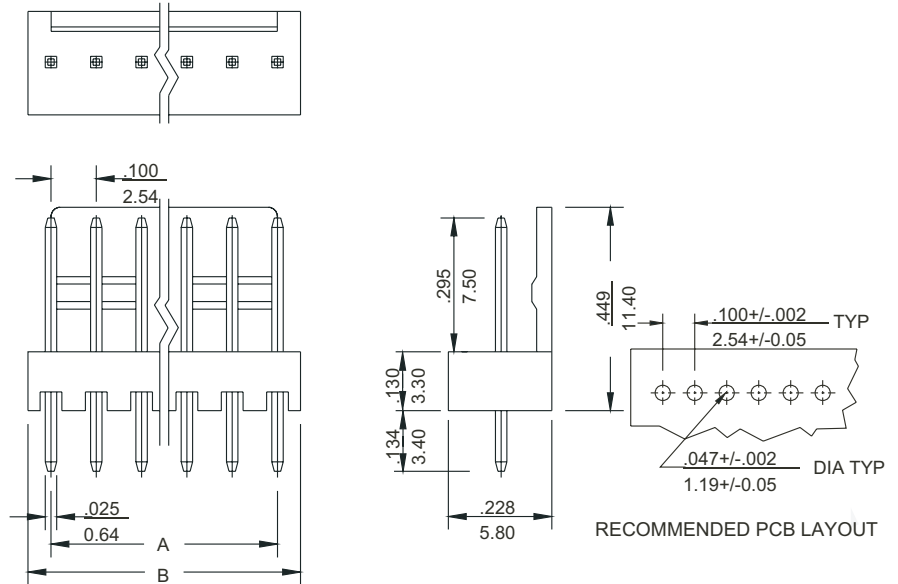
P2510I Series Straight Pin Friction Lock Headers

- * Material : Nylon UL 94V-2
- * Current rating : 2A, AC/DC
- * Voltage rating : 250V, AC/DC
- * .025" (0.64mm) straight square pins
- * Tin plated brass pins, plating optional
- * Various pin length available
- * Friction lock
- * Mates with 2510,2510A,2510B,2510F, series housings
- * 2-20 circuits available

inch
mm



E118260



Dimensional information - inch/mm (2510I/2510L)

Circuits	Dim. A		Dim. B		Circuits	Dim. A		Dim. B		Circuits	Dim. A		Dim. B	
	inch	mm	inch	mm		inch	mm	inch	mm		inch	mm	inch	mm
2	0.100	2.54	0.200	5.08	9	0.800	20.32	0.900	22.86	16	1.500	38.10	1.600	40.64
3	0.200	5.08	0.300	7.62	10	0.900	22.86	1.000	25.40	17	1.600	40.64	1.700	43.18
4	0.300	7.62	0.400	10.16	11	1.000	25.40	1.100	27.94	18	1.700	43.18	1.800	45.72
5	0.400	10.16	0.500	12.70	12	1.100	27.94	1.200	30.48	19	1.800	45.72	1.900	48.26
6	0.500	12.70	0.600	15.24	13	1.200	30.48	1.300	33.02	20	1.900	48.26	2.000	50.80
7	0.600	15.24	0.700	17.78	14	1.300	33.02	1.400	35.56					
8	0.700	17.78	0.800	20.32	15	1.400	35.56	1.500	38.10					

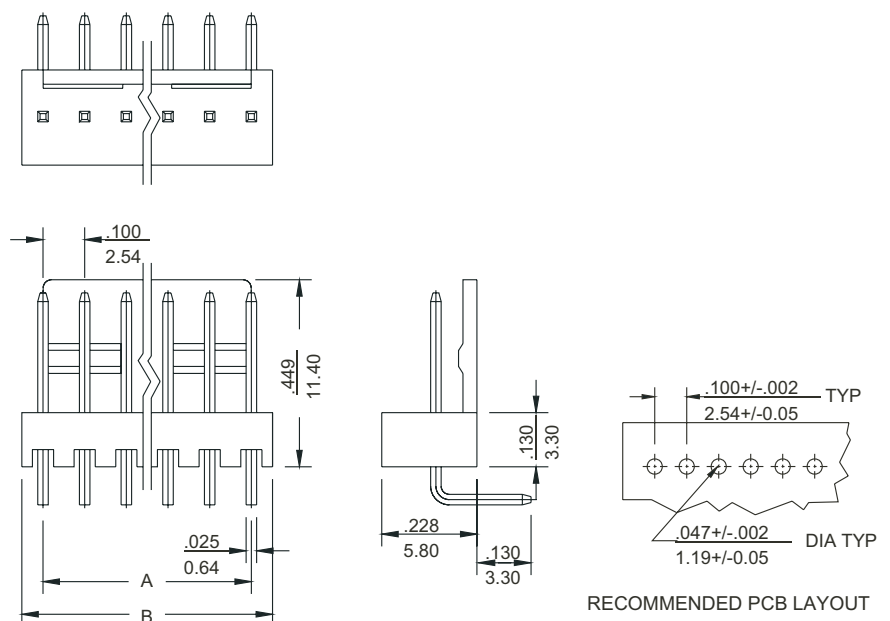
P2510L Series Right Angle Pin Friction Lock Headers

- * Material : Nylon UL 94V-2
- * Current rating : 2A, AC/DC
- * Voltage rating : 250V, AC/DC
- * .025" (0.64mm) right angle square pins
- * Tin plated brass pins, plating optional
- * Various pin length available
- * Friction lock
- * Mates with 2510, 2510A,2510B, 2510F, series housings
- * 2-20 circuits available

inch
mm



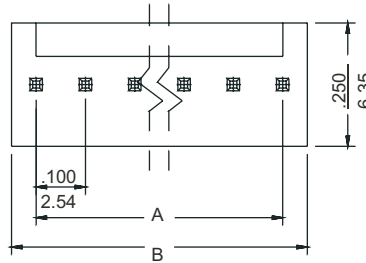
E118260



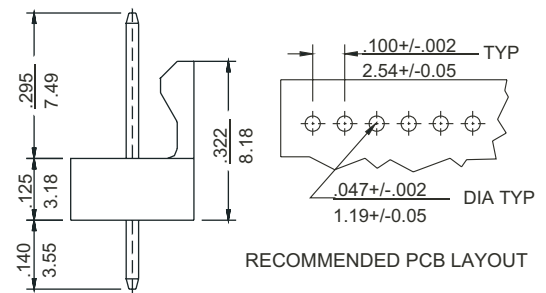
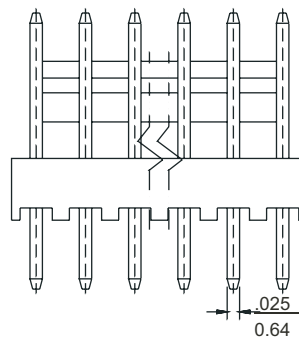
.100" (2.54mm) Center Header

P2510AI Series Straight Pin Friction Lock Headers

- * Material : Nylon UL 94V-2
- * Current rating : 2A, AC/DC
- * Voltage rating : 250V, AC/DC
- * .025" (0.64mm) straight square pins
- * Tin plated brass pins, plating optional
- * Various pin length available
- * Friction lock
- * Mates with 2510,2510A,2510B,2510F, series housings
- * 2-20 circuits available



inch
mm

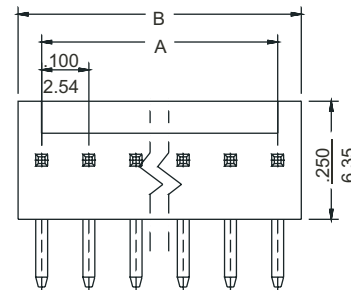


Dimensional information - inch/mm (2510AI/2510AL)

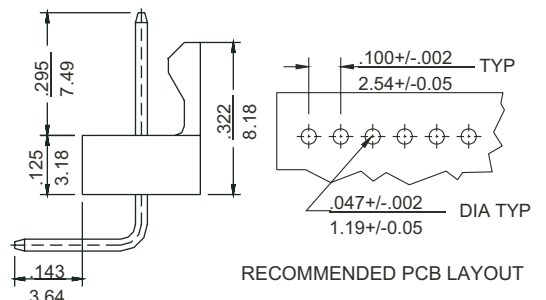
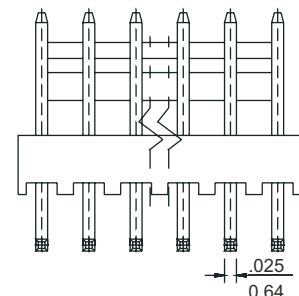
Circuits	Dim. A		Dim. B		Circuits	Dim. A		Dim. B		Circuits	Dim. A		Dim. B	
	inch	mm	inch	mm		inch	mm	inch	mm		inch	mm	inch	mm
2	0.100	2.54	0.200	5.08	9	0.800	20.32	0.900	22.86	16	1.500	38.10	1.600	40.64
3	0.200	5.08	0.300	7.62	10	0.900	22.86	1.000	25.40	17	1.600	40.64	1.700	43.18
4	0.300	7.62	0.400	10.16	11	1.000	25.40	1.100	27.94	18	1.700	43.18	1.800	45.72
5	0.400	10.16	0.500	12.70	12	1.100	27.94	1.200	30.48	19	1.800	45.72	1.900	48.26
6	0.500	12.70	0.600	15.24	13	1.200	30.48	1.300	33.02	20	1.900	48.26	2.000	50.80
7	0.600	15.24	0.700	17.78	14	1.300	33.02	1.400	35.56					
8	0.700	17.78	0.800	20.32	15	1.400	35.56	1.500	38.10					

P2510AL Series Right Angle Pin Friction Lock Headers

- * Material : Nylon UL 94V-2
- * Current rating : 2A, AC/DC
- * Voltage rating : 250V, AC/DC
- * .025" (0.64mm) right angle square pins
- * Tin plated brass pins, plating optional
- * Various pin length available
- * Friction lock
- * Mates with 2510, 2510A,2510B, 2510F, series housings
- * 2-20 circuits available



inch
mm

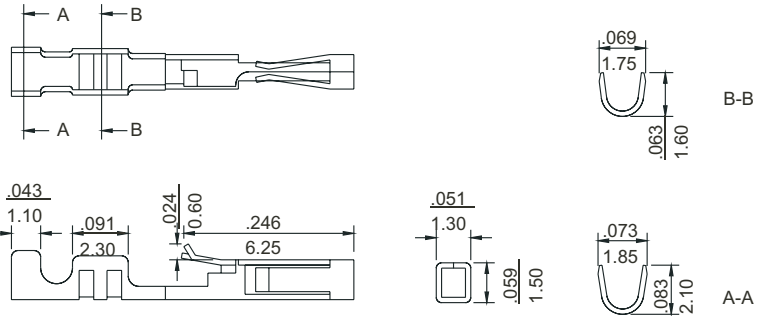


E118260

.100"(2.54mm)Single Row Crimp Terminal Housing

553T-M Box Female Crimp Terminal

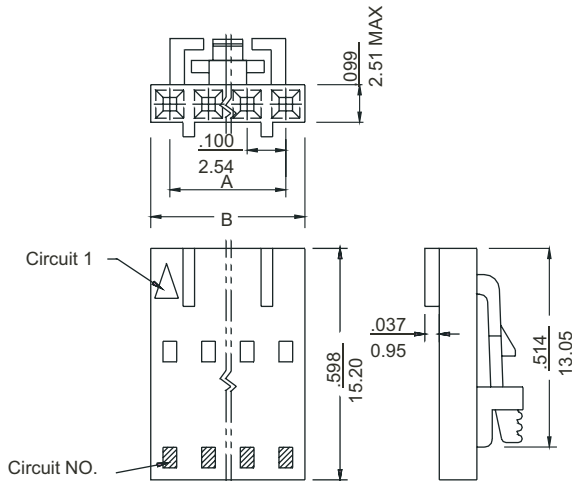
- * Material : Phosphor bronze
- * Current rating : 3A, AC/DC
- * Voltage rating : 250V, AC/DC
- * Applicable wire AWG #28- #24
- * Used in H553M, H553N, H553MF series housings
- * Dual beam , fully enclosed box contact with locking lance



inch
mm

H553M Series Housings

- * Material: Nylon UL 94V-0
 - * Current rating : 3A, AC/DC
 - * Voltage rating : 250V, AC/DC
 - * Stand color : black
 - * Positive latch secures the housing into mating part
 - * Front ribs prevent contact damage when unmating the connector from a header
 - * The housing can't be twisted off pins.
 - * Accepts 553T-M terminal
 - * Mates with H553P1 series housings or P553I, P553L series headers
 - * 2-25 circuits available
- inch
mm

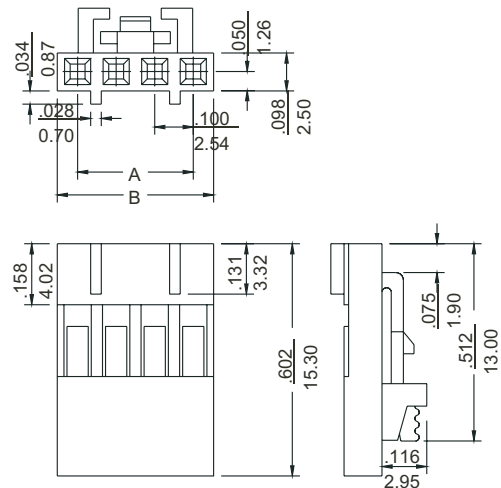


Dimensional information - inch/mm (H553/H553M)

Circuits	Dim. A		Dim. B		Circuits	Dim. A		Dim. B	
	inch	mm	inch	mm		inch	mm	inch	mm
2	0.100	2.54	0.202	5.14	14	1.300	33.02	1.402	35.62
3	0.200	5.08	0.302	7.68	15	1.400	35.56	1.502	38.16
4	0.300	7.62	0.402	10.22	16	1.500	38.10	1.602	40.70
5	0.400	10.16	0.502	12.76	17	1.600	40.64	1.702	43.24
6	0.500	12.70	0.602	15.30	18	1.700	43.18	1.802	45.78
7	0.600	15.24	0.702	17.84	19	1.800	45.72	1.902	48.32
8	0.700	17.78	0.802	20.38	20	1.900	48.26	2.002	50.86
9	0.800	20.32	0.902	22.92	21	2.000	50.80	2.102	53.40
10	0.900	22.86	1.002	25.46	22	2.100	53.34	2.202	55.94
11	1.000	25.40	1.102	28.00	23	2.200	55.88	2.302	58.48
12	1.100	27.94	1.202	30.54	24	2.300	58.42	2.402	61.02
13	1.200	30.48	1.302	33.08	25	2.400	60.96	2.502	63.56

H553 Series Housings

- * Material: Nylon UL 94V-0
 - * Current rating : 3A, AC/DC
 - * Voltage rating : 250V, AC/DC
 - * Stand color : black
 - * Positive latch secures the housing into mating part
 - * Front ribs prevent contact damage when unmating the connector from a header
 - * The housing can't be twisted off pins.
 - * Accepts BHT terminal
 - * Mates with P553I, P553L series headers
 - * 2-25 circuits available
- inch
mm

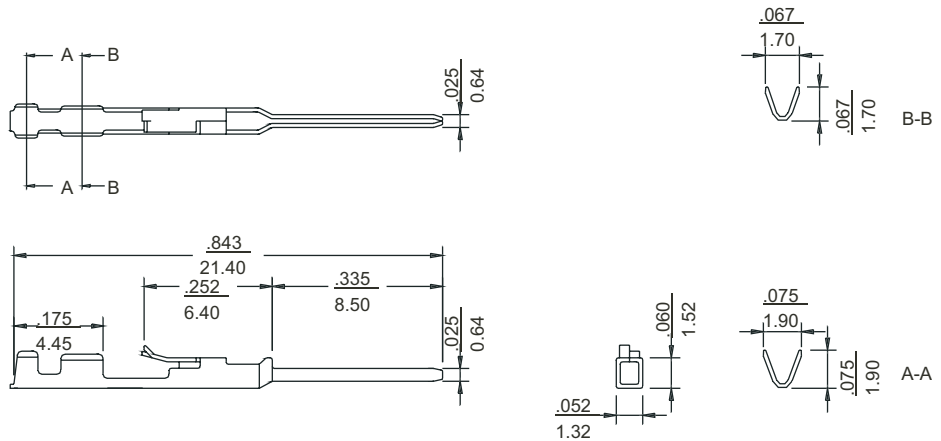


.100"(2.54mm) Single Row Crimp Terminal Housing

553TR Box Male Crimp Terminal

- * Material : Phosphor bronze
- * Current rating : 3A, AC/DC
- * Voltage rating : 250V, AC/DC
- * Applicable wire AWG #28- #24
- * Used in H553P1 series housings
- * Dual tab strain relief

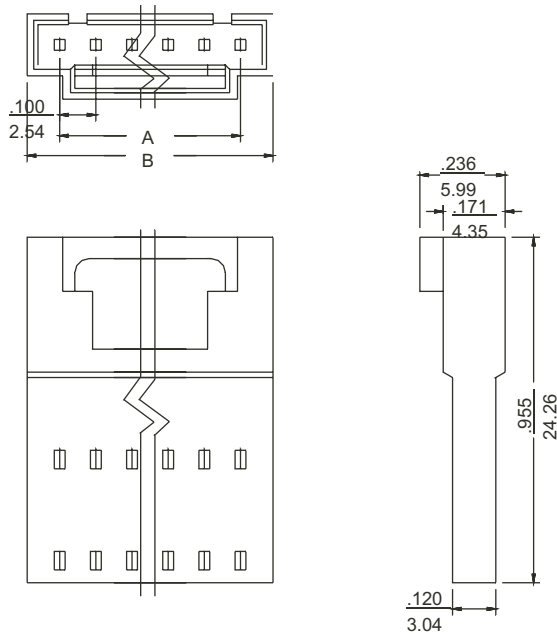
inch
mm



H553P1 Series Housings

- * Material: Nylon UL 94V-0
- * Current rating : 3A, AC/DC
- * Voltage rating : 250V, AC/DC
- * Positive latch & front ribs optional
- * Accepts 553TR terminal
- * Mates with H553M, H553N, H553MF series headers
- * 2-25 circuits available

inch
mm



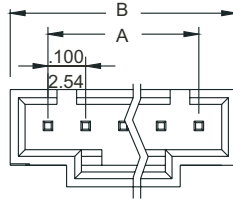
Dimensional information - inch/mm (H553P1)

Circuits	Dim. A		Dim. B		Circuits	Dim. A		Dim. B	
	inch	mm	inch	mm		inch	mm	inch	mm
2	0.100	2.54	0.280	7.12	14	1.300	33.02	1.480	37.60
3	0.200	5.08	0.380	9.66	15	1.400	35.56	1.580	40.14
4	0.300	7.62	0.480	12.20	16	1.500	38.10	1.680	42.68
5	0.400	10.16	0.580	14.74	17	1.600	40.64	1.780	45.22
6	0.500	12.70	0.680	17.28	18	1.700	43.18	1.880	47.76
7	0.600	15.24	0.780	19.82	19	1.800	45.72	1.980	50.30
8	0.700	17.78	0.880	22.36	20	1.900	48.26	2.080	52.84
9	0.800	20.32	0.980	24.90	21	2.000	50.80	2.180	55.38
10	0.900	22.86	1.080	27.44	22	2.100	53.34	2.280	57.92
11	1.000	25.40	1.180	29.98	23	2.200	55.88	2.380	60.46
12	1.100	27.94	1.280	32.52	24	2.300	58.42	2.480	63.00
13	1.200	30.48	1.380	35.06	25	2.400	60.96	2.580	65.54

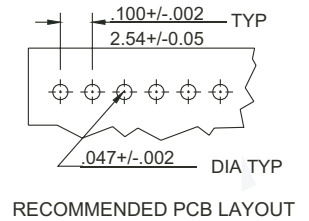
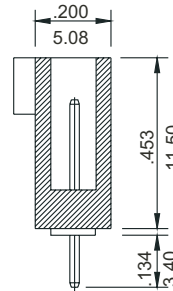
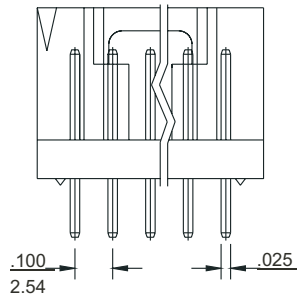
.100" (2.54mm) Single Row Pocket Header

P553I Series Straight Pocket Headers

- * Material: Nylon UL 94V-0
- * Current rating : 3A, AC/DC
- * Voltage rating : 250V, AC/DC
- * Mates with H553M, H553, H553N, H553MF series housings
- * 2-18 circuits available



inch
mm



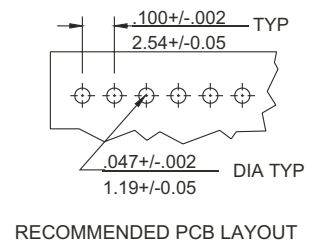
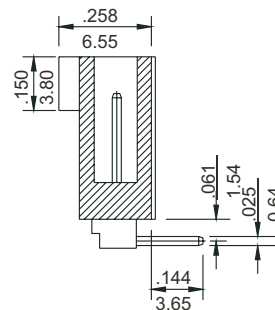
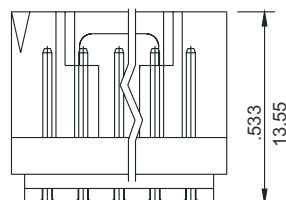
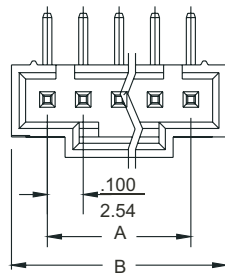
Dimensional information - mm (P553I/P553L)

Circuits	Dim. A		Dim. B		Circuits	Dim. A		Dim. B	
	inch	mm	inch	mm		inch	mm	inch	mm
2	0.100	2.54	0.300	7.62	11	1.000	25.40	1.200	30.48
3	0.200	5.08	0.400	10.16	12	1.100	27.94	1.300	33.02
4	0.300	7.62	0.500	12.70	13	1.200	30.48	1.400	35.56
5	0.400	10.16	0.600	15.24	14	1.300	33.02	1.500	38.10
6	0.500	12.70	0.700	17.78	15	1.400	35.56	1.600	40.64
7	0.600	15.24	0.800	20.32	16	1.500	38.10	1.700	43.18
8	0.700	17.78	0.900	22.86	17	1.600	40.64	1.800	45.72
9	0.800	20.32	1.000	25.40	18	1.700	43.18	1.900	48.26
10	0.900	22.86	1.100	27.94					

P553L Series Right Angle Pocket Headers

- * Material: Nylon UL 94V-0
- * Current rating : 3A, AC/DC
- * Voltage rating : 250V, AC/DC
- * Mates with H553M, H553, H553N, H553MF series housings
- * 2-18 circuits available

inch
mm

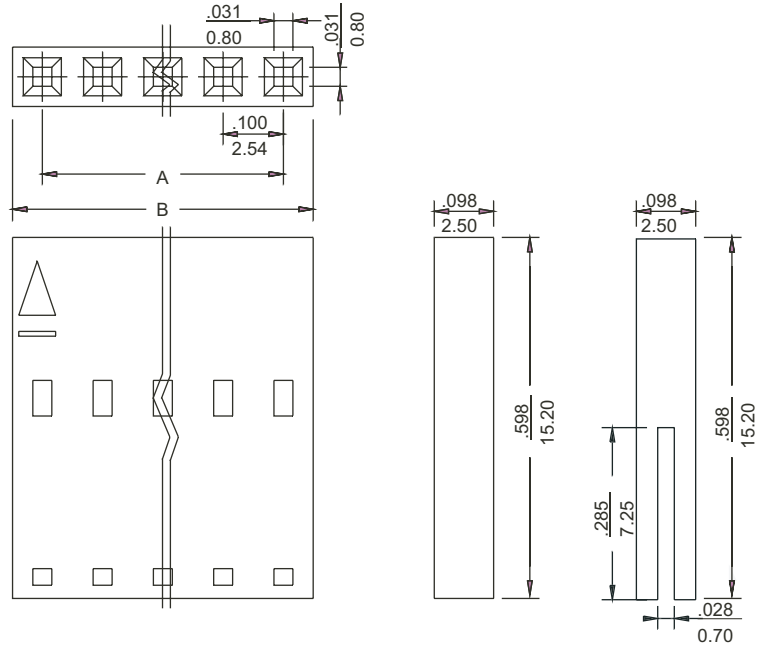


.100"(2.54mm) Single Row Crimp Terminal Housing

H553N Series Single Row Crimp Terminal Housings

- * Material: Nylon UL 94V-0
- * Current rating : 3A, AC/DC
- * Voltage rating : 250V, AC/DC
- * Stand color : black
- * Single row
- * Accepts 553T-M terminal
- * Mates with H553P1 series housings or P553I, P553L series headers
- * 2-25 circuits available

inch
mm



Dimensional information - inch/mm

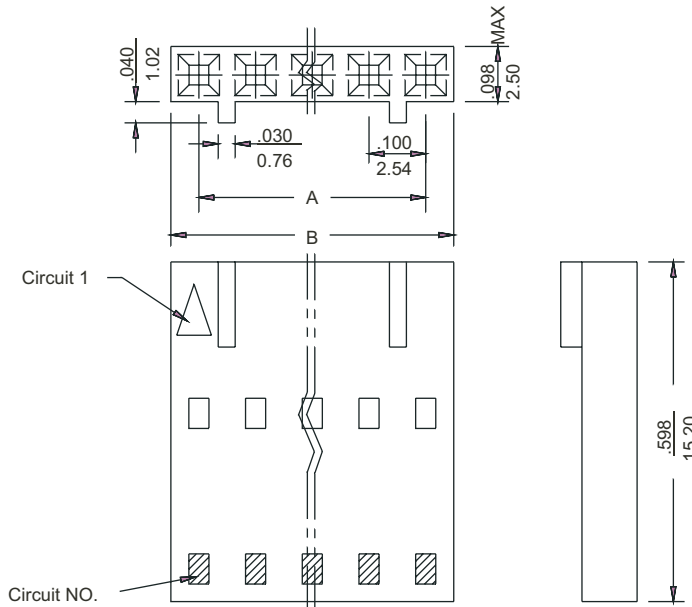
Circuits	Dim. A		Dim. B		Circuits	Dim. A		Dim. B	
	inch	mm	inch	mm		inch	mm	inch	mm
2	0.100	2.54	0.199	5.05	14	1.300	33.02	1.399	35.53
3	0.200	5.08	0.299	7.59	15	1.400	35.56	1.499	38.07
4	0.300	7.62	0.399	10.13	16	1.500	38.10	1.599	40.61
5	0.400	10.16	0.499	12.67	17	1.600	40.64	1.699	43.15
6	0.500	12.70	0.599	15.21	18	1.700	43.18	1.799	45.69
7	0.600	15.24	0.699	17.75	19	1.800	45.72	1.899	48.23
8	0.700	17.78	0.799	20.29	20	1.900	48.26	1.999	50.77
9	0.800	20.32	0.899	22.83	21	2.000	50.80	2.099	53.31
10	0.900	22.86	0.999	25.37	22	2.100	53.34	2.199	55.85
11	1.000	25.40	1.099	27.91	23	2.200	55.88	2.299	58.39
12	1.100	27.94	1.199	30.45	24	2.300	58.42	2.399	60.93
13	1.200	30.48	1.299	32.99	25	2.400	60.96	2.499	63.47

H553NS

H553MF Series Housings

- * Material: Nylon UL 94V-0
- * Current rating : 3A, AC/DC
- * Voltage rating : 250V, AC/DC
- * Stand color : black
- * Accepts 553T-M terminal
- * Mates with H553P1 series housings or P553I, P553L series headers
- * 2-25 circuits available

inch
mm

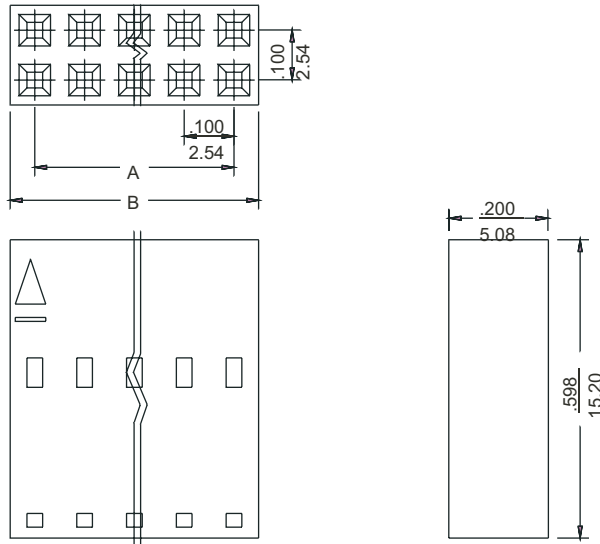


.100"(2.54mm)Dual Row Crimp Terminal Housing

H553N-2X Series Dual Row Crimp Terminal Housings

- * Material: Nylon UL 94V-0
- * Current rating : 3A, AC/DC
- * Voltage rating : 250V, AC/DC
- * Stand color : black
- * Dual row
- * Accepts 553T-M terminal
- * 4-50 circuits available

inch
mm



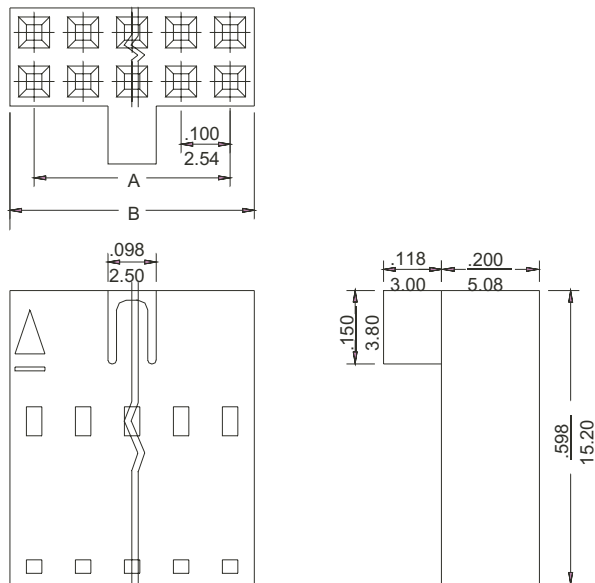
Dimensional information - inch/mm

Circuits	Dim. A		Dim. B		Circuits	Dim. A		Dim. B	
	inch	mm	inch	mm		inch	mm	inch	mm
4	0.100	2.54	0.200	5.08	28	1.300	33.02	1.400	35.56
6	0.200	5.08	0.300	7.62	30	1.400	35.56	1.500	38.10
8	0.300	7.62	0.400	10.16	32	1.500	38.10	1.600	40.64
10	0.400	10.16	0.500	12.70	34	1.600	40.64	1.700	43.18
12	0.500	12.70	0.600	15.24	36	1.700	43.18	1.800	45.72
14	0.600	15.24	0.700	17.78	38	1.800	45.72	1.900	48.26
16	0.700	17.78	0.800	20.32	40	1.900	48.26	2.000	50.80
18	0.800	20.32	0.900	22.86	42	2.000	50.80	2.100	53.34
20	0.900	22.86	1.000	25.40	44	2.100	53.34	2.200	55.88
22	1.000	25.40	1.100	27.94	46	2.200	55.88	2.300	58.42
24	1.100	27.94	1.200	30.48	48	2.300	58.42	2.400	60.96
26	1.200	30.48	1.300	33.02	50	2.400	60.96	2.500	63.50

H553N-2XPEG Series Dual Row Crimp Terminal Housings

- * Material: Nylon UL 94V-0
- * Current rating : 3A, AC/DC
- * Voltage rating : 250V, AC/DC
- * Stand color : black
- * Dual row
- * Polarizing peg optional
- * Accepts 553T-M terminal
- * 4-50 circuits available

inch
mm



.100" (2.54mm) IDC Connector

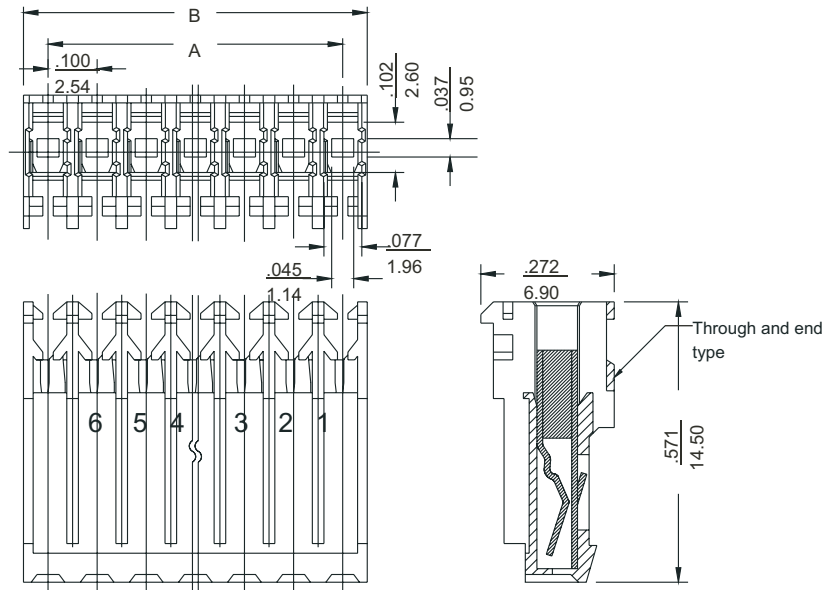
H825422 Series IDC Connectors

- * Material: Nylon UL 94V-2
- * Contact : Brass or Phosphor bronze
- * Applicable wire : AWG#28-#22
- * Current rating : 2A, AC/DC
- * Voltage rating : 250V, AC/DC
- * End type (H825422)
Through type (H825422N)
- * Mates with P825422I, P825422L headers
- * 2-28 circuits available

inch
mm



E118260



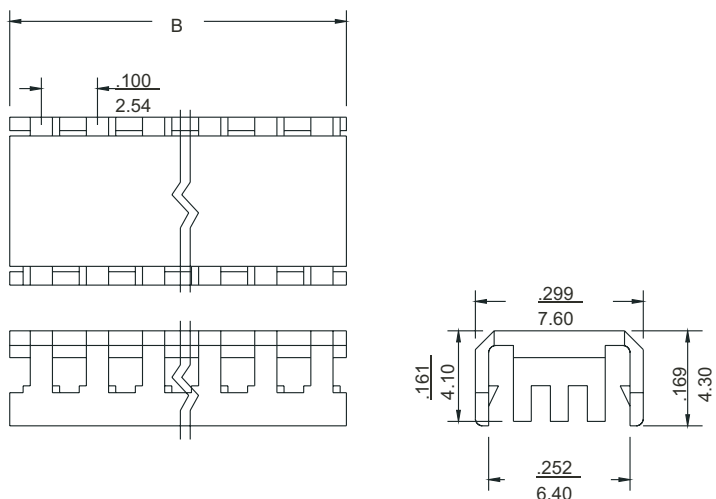
Dimensional information - inch/mm

Circuits	Dim. A		Dim. B		Circuits	Dim. A		Dim. B	
	inch	mm	inch	mm		inch	mm	inch	mm
2	0.100	2.54	0.200	5.08	16	1.500	38.10	1.600	40.64
3	0.200	5.08	0.300	7.62	17	1.600	40.64	1.700	43.18
4	0.300	7.62	0.400	10.16	18	1.700	43.18	1.800	45.72
5	0.400	10.16	0.500	12.70	19	1.800	45.72	1.900	48.26
6	0.500	12.70	0.600	15.24	20	1.900	48.26	2.000	50.80
7	0.600	15.24	0.700	17.78	21	2.000	50.80	2.100	53.34
8	0.700	17.78	0.800	20.32	22	2.100	53.34	2.200	55.88
9	0.800	20.32	0.900	22.86	23	2.200	55.88	2.300	58.42
10	0.900	22.86	1.000	25.40	24	2.300	58.42	2.400	60.96
11	1.000	25.40	1.100	27.94	25	2.400	60.96	2.500	63.50
12	1.100	27.94	1.200	30.48	26	2.500	63.50	2.600	66.04
13	1.200	30.48	1.300	33.02	27	2.600	66.04	2.700	68.58
14	1.300	33.02	1.400	35.56	28	2.700	68.58	2.800	71.12
15	1.400	35.56	1.500	38.10					

H825422C IDC Cover

- * Material: Nylon UL 94V-2
- * Color : Natural
- * Used for H825422 series IDC connectors

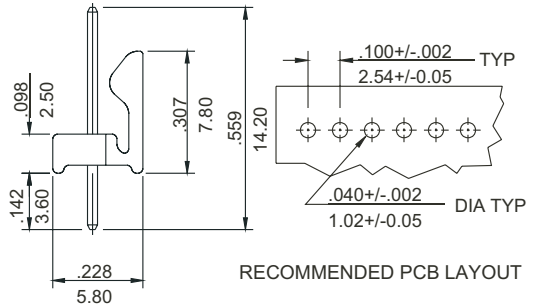
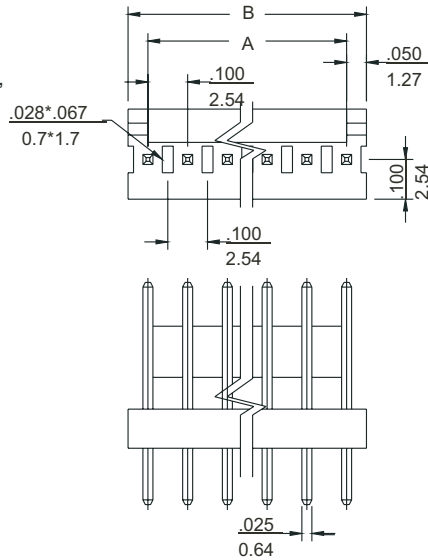
inch
mm



.100" (2.54mm) IDC Connector

P825422I Series Straight Headers

- * Material: Nylon UL 94V-2
- * Contact: Copper alloy, 0.64 mm square pin,
Tin-plated or gold-flash
- * Current rating : 2A, AC/DC
- * Voltage rating : 250V, AC/DC
- * Mates with H825422 IDC connector,
2510, 2510A, 2510B, 2510F housings
- * 2-28 circuits available



inch
mm



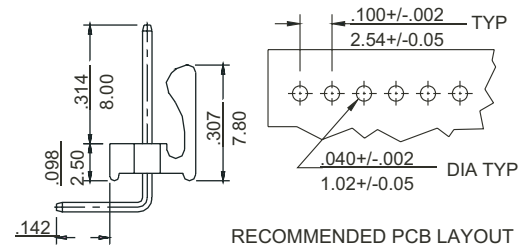
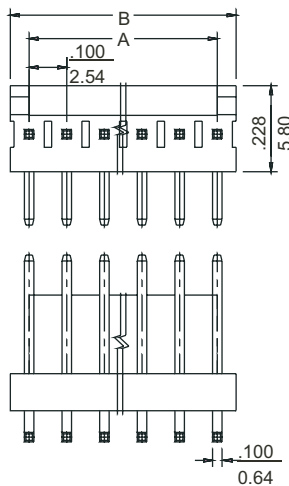
E118260

Dimensional information - inch/mm (P825422I/P825422L)

Circuits	Dim. A		Dim. B		Circuits	Dim. A		Dim. B	
	inch	mm	inch	mm		inch	mm	inch	mm
2	0.100	2.54	0.200	5.08	16	1.500	38.10	1.600	40.64
3	0.200	5.08	0.300	7.62	17	1.600	40.64	1.700	43.18
4	0.300	7.62	0.400	10.16	18	1.700	43.18	1.800	45.72
5	0.400	10.16	0.500	12.70	19	1.800	45.72	1.900	48.26
6	0.500	12.70	0.600	15.24	20	1.900	48.26	2.000	50.80
7	0.600	15.24	0.700	17.78	21	2.000	50.80	2.100	53.34
8	0.700	17.78	0.800	20.32	22	2.100	53.34	2.200	55.88
9	0.800	20.32	0.900	22.86	23	2.200	55.88	2.300	58.42
10	0.900	22.86	1.000	25.40	24	2.300	58.42	2.400	60.96
11	1.000	25.40	1.100	27.94	25	2.400	60.96	2.500	63.50
12	1.100	27.94	1.200	30.48	26	2.500	63.50	2.600	66.04
13	1.200	30.48	1.300	33.02	27	2.600	66.04	2.700	68.58
14	1.300	33.02	1.400	35.56	28	2.700	68.58	2.800	71.12
15	1.400	35.56	1.500	38.10					

P825422L Series Right Angle Headers

- * Material: Nylon UL 94V-2
- * Contact: Copper alloy, 0.64 mm square pin,
Tin-plated or gold-flash
- * Current rating : 2A, AC/DC
- * Voltage rating : 250V, AC/DC
- * Mates with H825422 IDC connector,
2510, 2510A, 2510B, 2510F housings
- * 2-28 circuits available



inch
mm

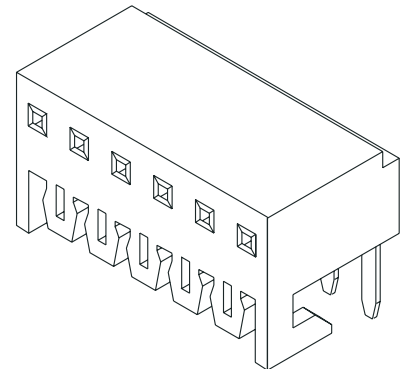


E118260

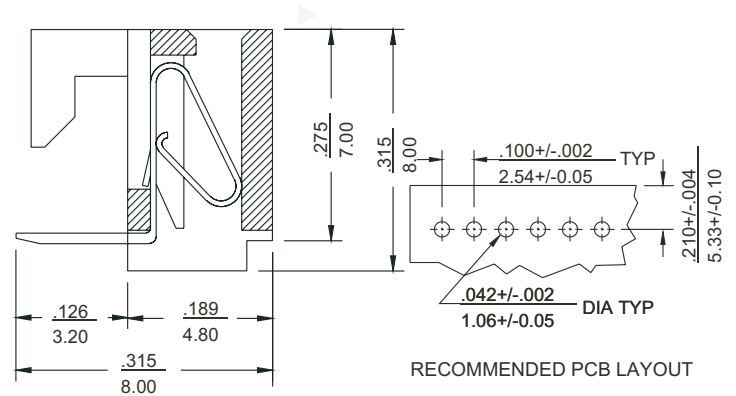
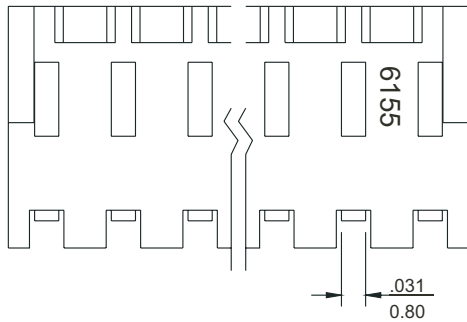
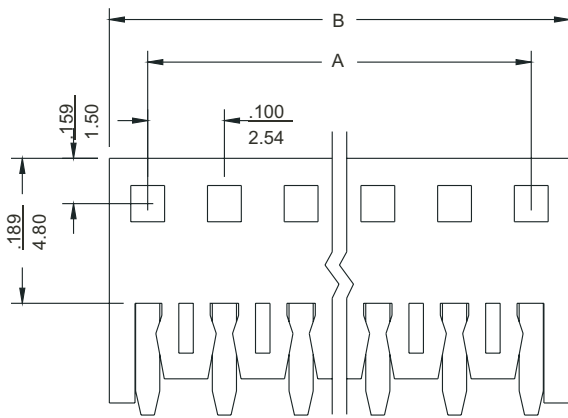
.100" (2.54mm) Center P.C. Board Connector

6155A Series Right Angle Mount Connectors

- * Material: Nylon UL 94V-0
- * Current rating : 2.5A, AC/DC
- * Voltage rating : 250V, AC/DC
- * End- to- end stackable
- * Mates with .025" square pin headers
- * 2-20 circuits available



inch
mm



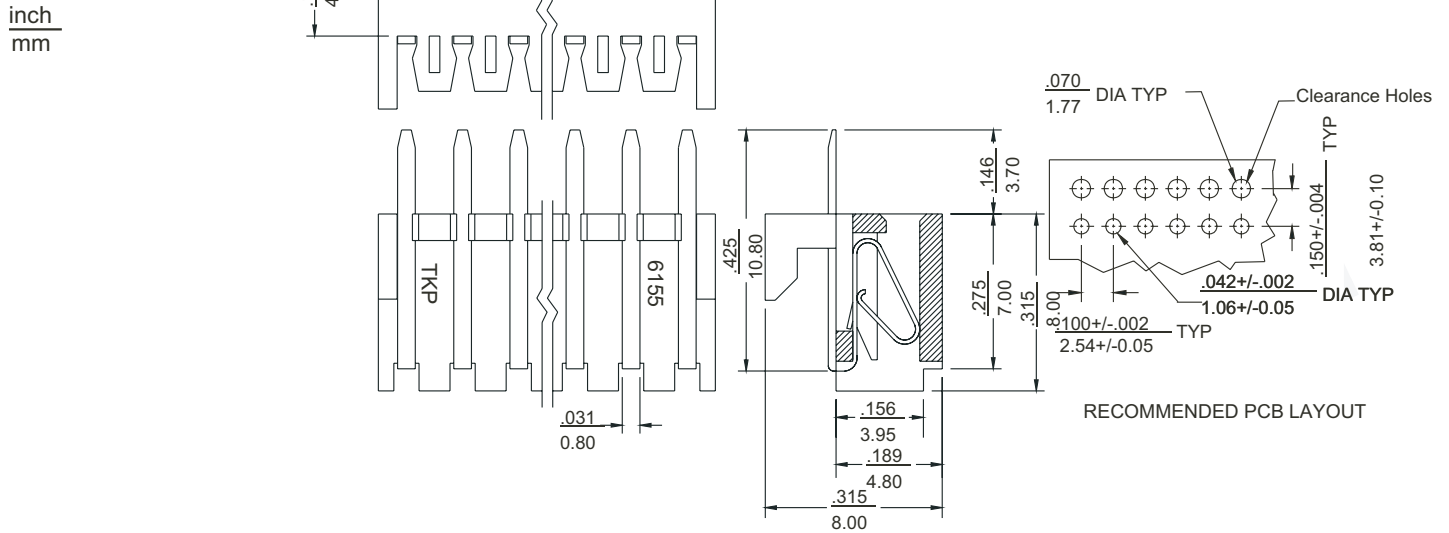
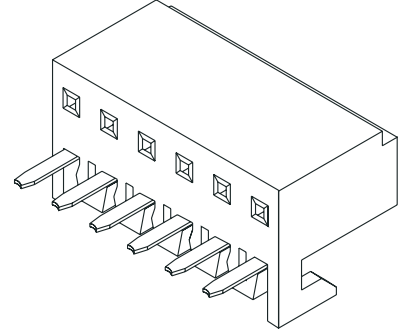
Dimensional information - inch/mm (6155A/6155B/6155C)

Circuits	Dim. A		Dim. B		Circuits	Dim. A		Dim. B	
	inch	mm	inch	mm		inch	mm	inch	mm
2	0.100	2.54	0.200	5.08	12	1.100	27.94	1.200	30.48
3	0.200	5.08	0.300	7.62	13	1.200	30.48	1.300	33.02
4	0.300	7.62	0.400	10.16	14	1.300	33.02	1.400	35.56
5	0.400	10.16	0.500	12.70	15	1.400	35.56	1.500	38.10
6	0.500	12.70	0.600	15.24	16	1.500	38.10	1.600	40.64
7	0.600	15.24	0.700	17.78	17	1.600	40.64	1.700	43.18
8	0.700	17.78	0.800	20.32	18	1.700	43.18	1.800	45.72
9	0.800	20.32	0.900	22.86	19	1.800	45.72	1.900	48.26
10	0.900	22.86	1.000	25.40	20	1.900	48.26	2.000	50.80
11	1.000	25.40	1.100	27.94					

.100" (2.54mm) Center P.C. Board Connector

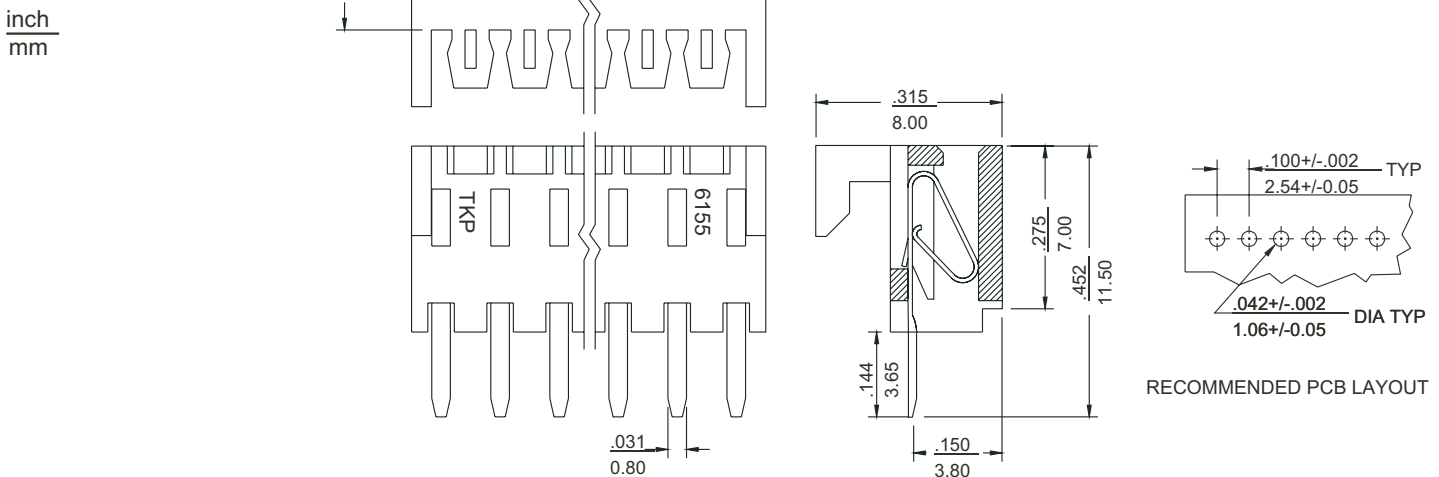
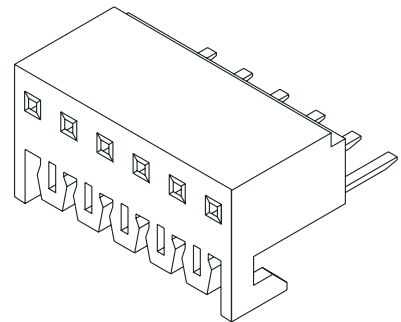
6155B Series Bottom Entry Connectors

- * Material: Nylon UL 94V-0
- * Current rating : 2.5A, AC/DC
- * Voltage rating : 250V, AC/DC
- * End-to-end stackable
- * Mates with .025" square pin headers
- * 2-20 circuits available



6155C Series Top Entry Connectors

- * Material: Nylon UL 94V-0
- * Current rating : 2.5A, AC/DC
- * Voltage rating : 250V, AC/DC
- * End-to-end stackable
- * Mates with .025" square pin headers
- * 2-20 circuits available

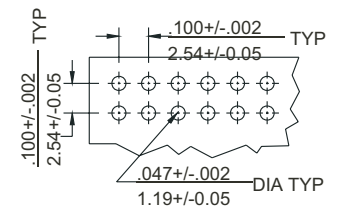
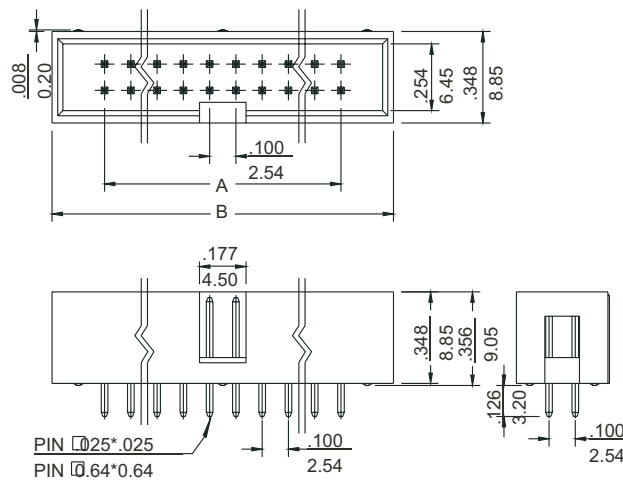


.100" (2.54mm) Four Wall Shrouded Pin Header

SCMI Series Straight Shrouded Headers

- * Material : Polyester, UL 94V-0
- * Contact : Phosphor bronze
- * Current rating : 3.0A, AC/DC
- * Voltage rating : 500V, AC/DC
- * Color : black
- * Dual row 8, 10, 14, 16, 20, 24, 26, 30, 34, 40, 44, 48, 50, 60, 64 pins

inch
mm



RECOMMENDED PCB LAYOUT

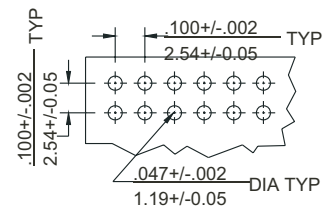
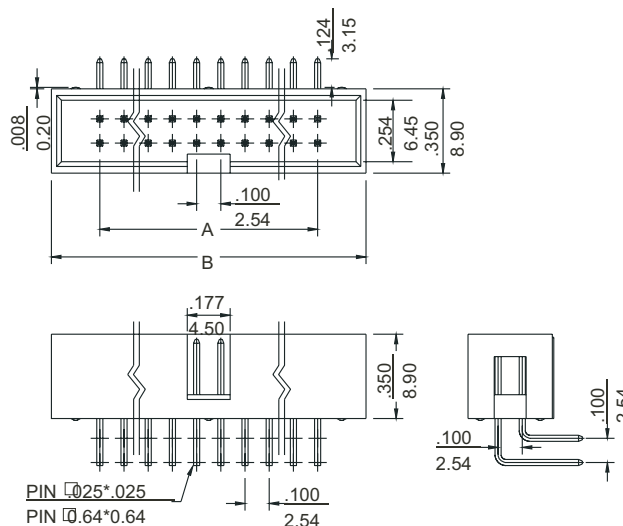
Dimensional information - inch/mm (SCMI/SCML)

Circuits	Dim. A		Dim. B		Circuits	Dim. A		Dim. B	
	inch	mm	inch	mm		inch	mm	inch	mm
8	0.300	7.62	0.167	17.78	34	1.600	40.64	2.000	50.80
10	0.400	10.16	0.800	20.32	40	1.900	48.26	2.300	58.42
14	0.600	15.24	1.000	25.40	44	2.100	53.34	2.500	63.50
16	0.700	17.78	1.100	27.94	48	2.300	58.42	2.700	68.58
20	0.900	22.86	1.300	33.02	50	2.400	60.96	2.800	71.12
24	1.100	27.94	1.500	38.10	60	2.900	73.66	3.300	83.82
26	1.200	30.48	1.600	40.64	64	3.100	78.74	3.500	88.90
30	1.400	35.56	1.800	45.72					

SCML Series Right Angle Shrouded Headers

- * Material : Polyester, UL 94V-0
- * Contact : Phosphor bronze
- * Current rating : 3.0A, AC/DC
- * Voltage rating : 500V, AC/DC
- * Color : black
- * Dual row 8, 10, 14, 16, 20, 24, 26, 30, 34, 40, 44, 48, 50, 60, 64 pins

inch
mm



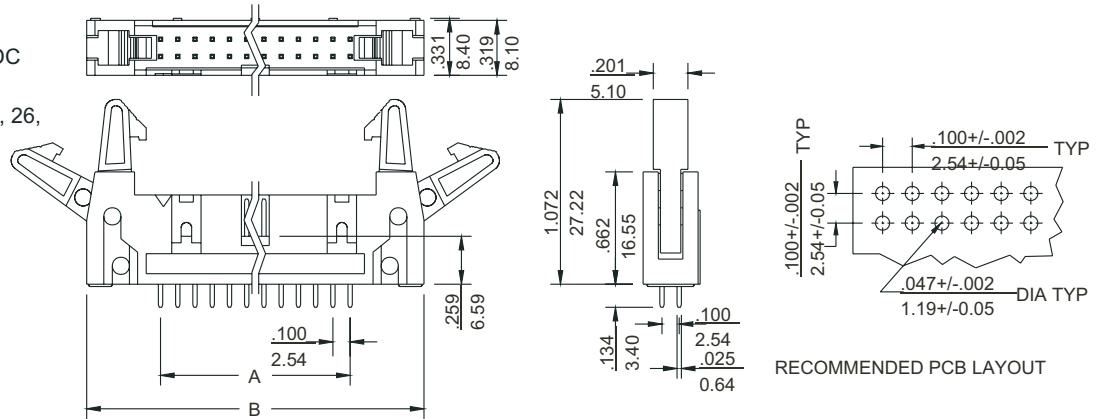
RECOMMENDED PCB LAYOUT

.100" (2.54mm) Shrouded Pin Header (with Eject Latch Levers)

SCNI Series Straight Box Headers

- * Material : Polyester, UL94V-0
- * Contact : Phosphor bronze
- * Current rating : 3A, AC/DC
- * Voltage rating : 500V, AC/DC
- * Color : Black
- * Dual row 10, 14, 16, 20, 24, 26, 30, 34, 40, 50, 60, 64 pins

inch
mm



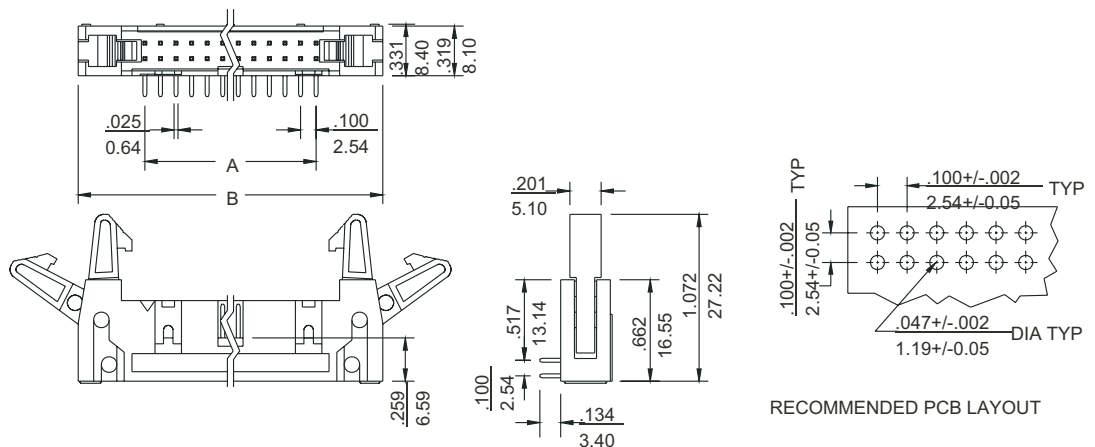
Dimensional information - inch/mm (SCNI/SCNL)

Circuits	Dim. A		Dim. B		Circuits	Dim. A		Dim. B	
	inch	mm	inch	mm		inch	mm	inch	mm
10	0.400	10.16	1.257	31.92	30	1.392	35.36	2.257	57.32
12	0.500	12.70	1.357	34.46	34	1.600	40.64	2.457	62.40
14	0.600	15.24	1.457	37.00	40	1.900	48.26	2.757	70.02
16	0.700	17.78	1.517	38.54	50	2.400	60.96	3.257	82.72
20	0.900	22.86	1.757	44.62	60	2.900	73.66	3.757	95.42
24	1.100	27.94	1.957	49.70	64	3.100	78.74	3.957	100.50
26	1.200	30.48	2.057	52.24					

SCNL Series Right Angle Box Headers

- * Material : Polyester, UL94V-0
- * Contact : Phosphor bronze
- * Current rating : 3A, AC/DC
- * Voltage rating : 500V, AC/DC
- * Color : Black
- * Dual row 10, 14, 16, 20, 24, 26, 30, 34, 40, 50, 60, 64 pins

inch
mm



RECOMMENDED PCB LAYOUT