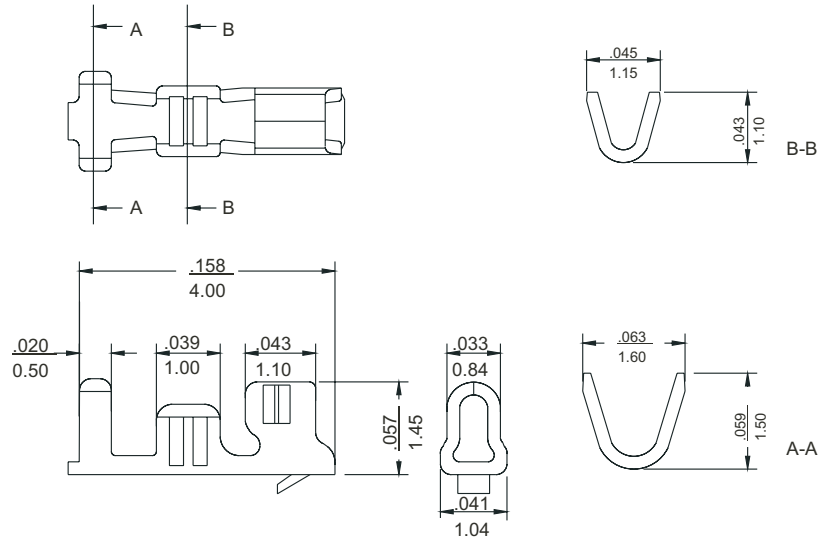


.059" (1.5mm) Crimp Terminal Housing

15J1T Crimp Terminal

- * Material : Phosphor bronze
- * Current rating : 1A, AC/DC
- * Voltage rating : 125V, AC/DC
- * Applicable wire AWG #30- #26
- * Used in H15J1 series housings

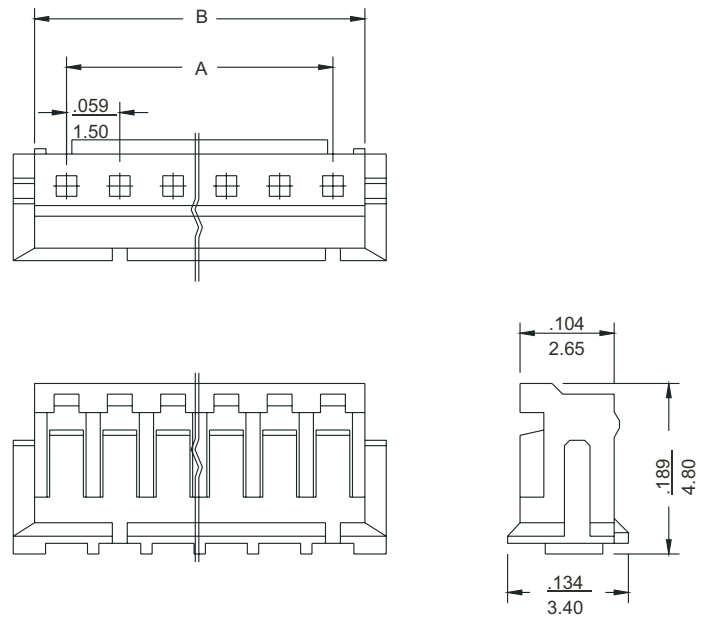
inch
mm



H15J1 Series Shrouded Crimp Terminal Housings

- * Material : Nylon UL 94V-0
- * Current rating : 1A, AC/DC
- * Voltage rating : 125V, AC/DC
- * Color : White
- * Accepts 15J1T terminal
- * Mates with P15J1I, P15J1L series headers
- * 2-13 circuits available

inch
mm



Dimensional information - inch/mm (H150)

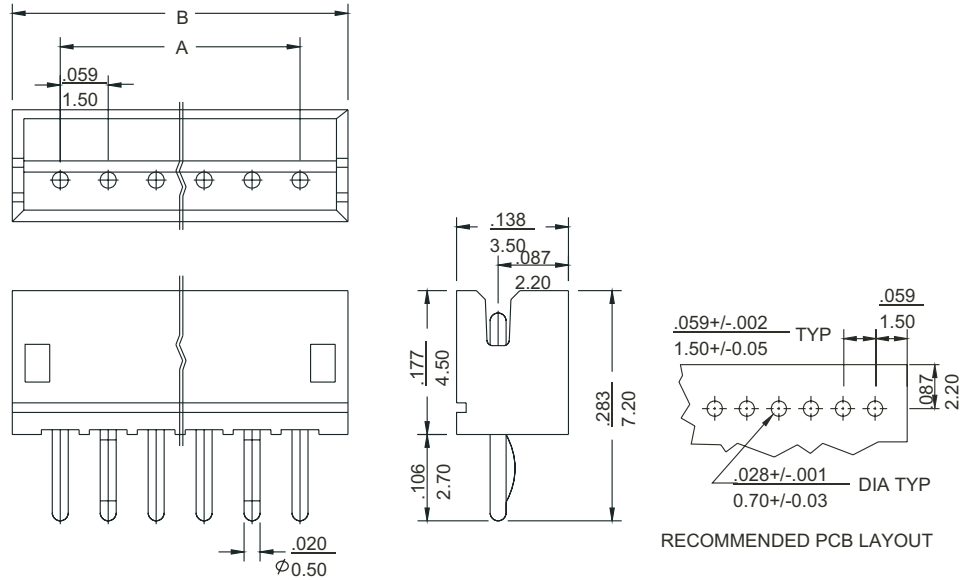
Circuits	Dim. A		Dim. B		Circuits	Dim. A		Dim. B	
	inch	mm	inch	mm		inch	mm	inch	mm
2	0.059	1.50	0.130	3.30	8	0.413	10.50	0.484	12.30
3	0.118	3.00	0.189	4.80	9	0.472	12.00	0.543	13.80
4	0.177	4.50	0.248	6.30	10	0.531	13.50	0.602	15.30
5	0.236	6.00	0.307	7.80	11	0.591	15.00	0.661	16.80
6	0.295	7.50	0.366	9.30	12	0.650	16.50	0.720	18.30
7	0.354	9.00	0.425	10.80	13	0.709	18.00	0.780	19.80

.059" (1.5mm) Shrouded Header

P15J1I Series Straight Pin Shrouded Headers

- * Material : Nylon UL 94V-0
- * Contact : Phosphor bronze
- * Current rating : 1A, AC/DC
- * Voltage rating : 125V, AC/DC
- * .020"(0.50mm) round pins
- * Mates with H15J1 series housings
- * 2-13 circuits available

inch
mm



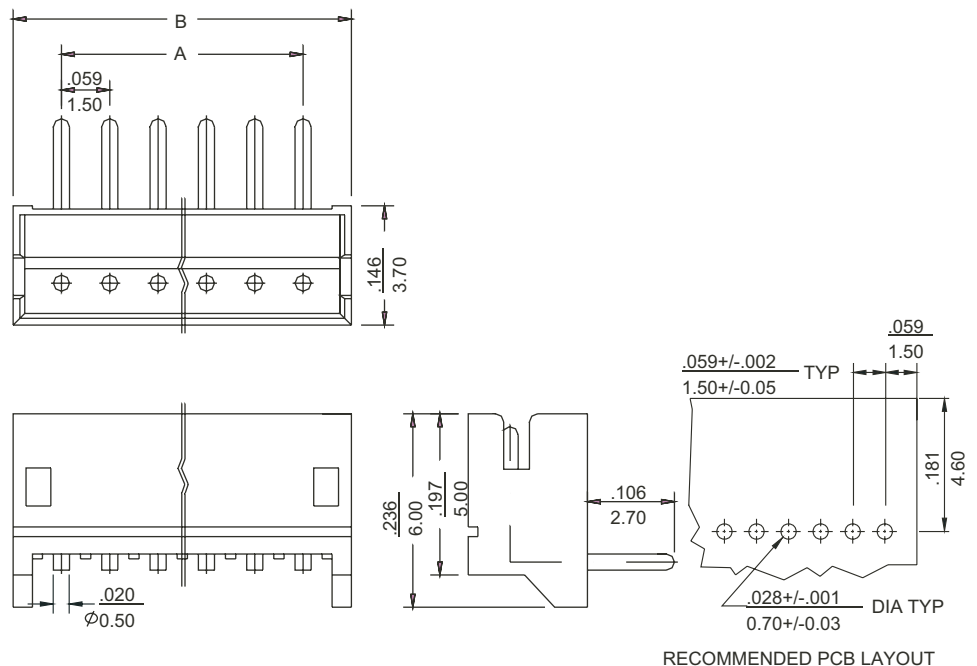
Dimensional information - inch/mm (P150I/P150L)

Circuits	Dim. A		Dim. B		Circuits	Dim. A		Dim. B	
	inch	mm	inch	mm		inch	mm	inch	mm
2	0.059	1.50	0.177	4.50	8	0.413	10.50	0.531	13.50
3	0.118	3.00	0.236	6.00	9	0.472	12.00	0.591	15.00
4	0.177	4.50	0.295	7.50	10	0.531	13.50	0.650	16.50
5	0.236	6.00	0.354	9.00	11	0.591	15.00	0.709	18.00
6	0.295	7.50	0.413	10.50	12	0.650	16.50	0.768	19.50
7	0.354	9.00	0.472	12.00	13	0.709	18.00	0.827	21.00

P15J1L Series Right Angle Pin Shrouded Headers

- * Material : Nylon UL 94V-0
- * Contact : Phosphor bronze
- * Current rating : 1A, AC/DC
- * Voltage rating : 125V, AC/DC
- * .020"(0.50mm) round pins
- * Mates with H15J1 series housings
- * 2-13 circuits available

inch
mm



RECOMMENDED PCB LAYOUT